

MATERIAL (INSULATOR / CONTACT)
(SEE MATERIAL TABLE)

PLATING
ALL PLATINGS HAVE .000050" MIN NICKEL UNDERPLATE

CONTACT SURFACE TERMINATION

B = .000010" GOLD .000100" PURE TIN, MATTE
C = .000030" GOLD .000100" PURE TIN, MATTE
G = .000010" GOLD .000005" GOLD
E = .000100" PURE TIN, MATTE OVERALL
S = .000010" GOLD OVERALL
M = .000030" GOLD .000010" GOLD OVERALL

LETTER CODE	INSULATOR / CONTACT	OPERATING TEMP.	PROCESSING TEMP.	MODIFICATION NUMBER
P	BLACK PBT / PHOSPHOR BRONZE	-65°C TO +125°C	WAVE/MANUAL SOLDERING	OMIT
G	BLACK PA9T / PHOSPHOR BRONZE	-65°C TO +150°C	260°C MAX FOR 10 SECS	OMIT
L	WHITE PA9T / PHOSPHOR BRONZE	-65°C TO +150°C	260°C MAX FOR 10 SECS	OMIT
*A	GREEN PPS / BERYLLIUM COPPER	-65°C TO +200°C	260°C MAX FOR 20 SECS	OMIT
*A	BROWN PPS / BERYLLIUM COPPER	-65°C TO +200°C	260°C MAX FOR 20 SECS	M500
*Y	TAN PEEK / BERYLLIUM COPPER	-65°C TO +250°C	260°C MAX FOR 20 SECS	OMIT

* AVAILABLE WITH OVERALL GOLD PLATING ('M') ONLY

PART NUMBER CODING

C **D** **N - M**

MODIFICATION
OMIT = STANDARD, EXAMPLE: 'AMC36DAAN'
M500 = BROWN PPS (MATERIAL CODE 'A' ON

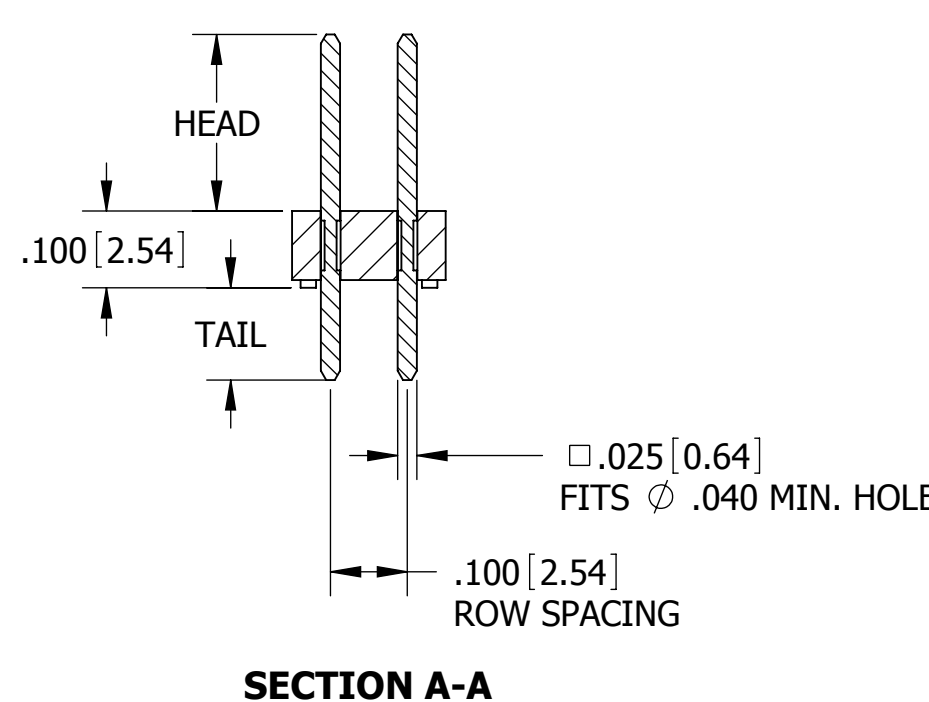
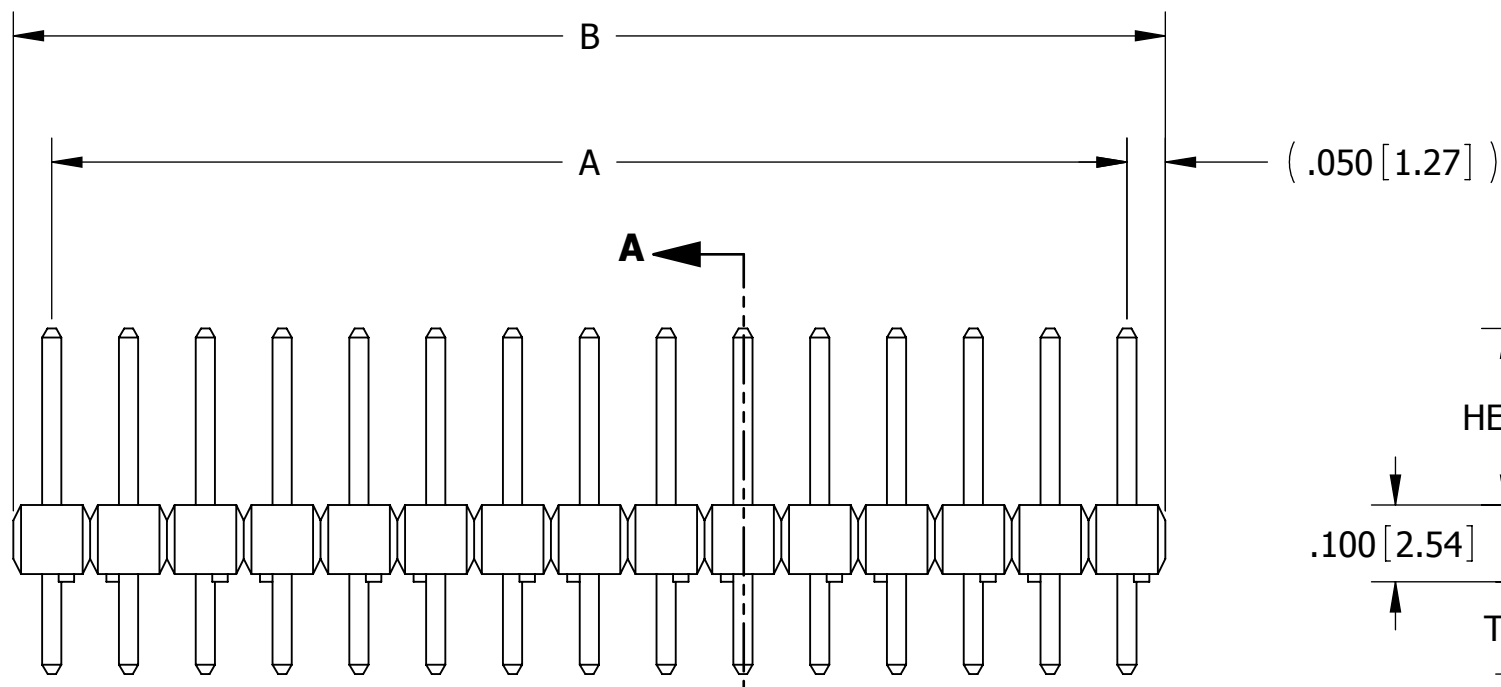
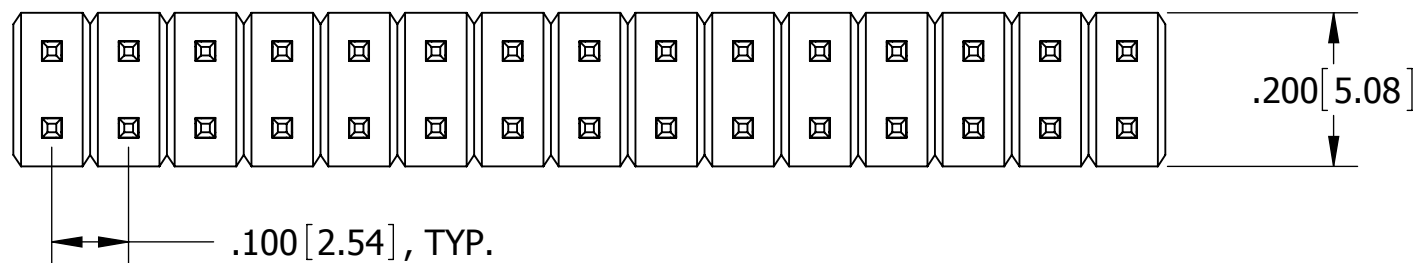
TERMINATION TYPE

NUMBER OF POSITIONS PER ROW
(01 THRU 36)

REVISIONS				
REV.	ECO. NO	DESCRIPTION	DATE	BY
C	1062	UPDATE DWG. AND TABLES, MOVED RA TERMINATION TO PAGE 2	06/19/2006	HT
D	1062	UPDATE DWG.	3/15/2007	SB
E	2078	UPDATE TEMPERATURE TO 150°C FOR 'G' MTL, CORRECT NOTE 6 & 7, ADD NEW TERMINATION TYPE AI, AJ, AK, FF, FG, FH, FI, FJ, ZB, ZI, ZJ, ZO, ZQ, ZR, COMBINED 'P' MTL IN P/N CODING (DWG 10726, 10167 OBSOLETE)	11/12/2009	JH
F	2442	UPDATE PROCESSING TIME FOR 'G' MTL, VOLTAGE RATING, REMOVE MOISTURE NOTE, PROCESSING TEMP FOR 'P' MTL	9/8/2011	JH
G	2743	ADD PLATING OPTIONS, UPDATE BODY SHAPE, ADD HIGH TEMP MATERIALS	1/24/2014	JHSU

TERMINATION TYPE			A		B	
STRAIGHT			INCH	MM	INCH	MM
CODE	HEAD DIMENSION ±.008 [0.20]	TAIL DIMENSION ±.010 [0.25]	±.008	±0.20	±.020	±0.51
			AA	.230[5.84]	.120[3.05]	
AB	.230[5.84]	.230[5.84]				
AC	.230[5.84]	.320[8.13]				
AD	.230[5.84]	.420[10.67]				
AE	.230[5.84]	.520[13.21]				
AF	.230[5.84]	.620[15.75]				
AG	.230[5.84]	.720[18.29]				
AH	.230[5.84]	.820[20.83]				
AI	.230[5.84]	.900[22.86]				
AJ	.230[5.84]	1.000[25.40]				
AK	.230[5.84]	.035[0.89]				
FA	.318[8.08]	.120[3.05]				
FB	.318[8.08]	.220[5.59]				
FC	.318[8.08]	.320[8.13]				
FD	.318[8.08]	.420[10.67]				
FE	.318[8.08]	.520[13.21]				
FF	.318[8.08]	.620[15.75]				
FG	.318[8.08]	.710[18.03]				
FH	.318[8.08]	.810[20.57]				
FI	.318[8.08]	.910[23.11]				
FJ	.318[8.08]	.050[1.27]				
ZA	.120[3.05]	.120[3.05]				
ZB	.120[3.05]	.095[2.41]				
ZC	.120[3.05]	.260[6.60]				
ZD	.120[3.05]	.610[15.49]				
ZI	.520[13.21]	.110[2.79]				
ZJ	.720[18.29]	.110[2.79]				
ZO	.820[20.83]	.110[2.79]				
ZQ	1.020[25.91]	.110[2.79]				
ZR	1.220[30.99]	.110[2.79]				

PART NUMBER	A		B	
	INCH	MM	INCH	MM
__C01D__N	0.000	0.00	0.100	2.54
__C02D__N	0.100	2.54	0.200	5.08
__C03D__N	0.200	5.08	0.300	7.62
__C04D__N	0.300	7.62	0.400	10.16
__C05D__N	0.400	10.16	0.500	12.70
__C06D__N	0.500	12.70	0.600	15.24
__C07D__N	0.600	15.24	0.700	17.78
__C08D__N	0.700	17.78	0.800	20.32
__C09D__N	0.800	20.32	0.900	22.86
__C10D__N	0.900	22.86	1.000	25.40
__C11D__N	1.000	25.40	1.100	27.94
__C12D__N	1.100	27.94	1.200	30.48
__C13D__N	1.200	30.48	1.300	33.02
__C14D__N	1.300	33.02	1.400	35.56
__C15D__N	1.400	35.56	1.500	38.10
__C16D__N	1.500	38.10	1.600	40.64
__C17D__N	1.600	40.64	1.700	43.18
__C18D__N	1.700	43.18	1.800	45.72
__C19D__N	1.800	45.72	1.900	48.26
__C20D__N	1.900	48.26	2.000	50.80
__C21D__N	2.000	50.80	2.100	53.34
__C22D__N	2.100	53.34	2.200	55.88
__C23D__N	2.200	55.88	2.300	58.42
__C24D__N	2.300	58.42	2.400	60.96
__C25D__N	2.400	60.96	2.500	63.50
__C26D__N	2.500	63.50	2.600	66.04
__C27D__N	2.600	66.04	2.700	68.58
__C28D__N	2.700	68.58	2.800	71.12
__C29D__N	2.800	71.12	2.900	73.66
__C30D__N	2.900	73.66	3.000	76.20
__C31D__N	3.000	76.20	3.100	78.74
__C32D__N	3.100	78.74	3.200	81.28
__C33D__N	3.200	81.28	3.300	83.82
__C34D__N	3.300	83.82	3.400	86.36
__C35D__N	3.400	86.36	3.500	88.90
__C36D__N	3.500	88.90	3.600	91.44



__C__D__N
__C__D__N-M500
STRAIGHT

- NOTES:**
- INSULATOR MATERIAL: SEE PART NUMBER CODING
 - CONTACT MATERIAL: SEE PART NUMBER CODING
 - PLATING: SEE PART NUMBER CODING
 - UL FLAMMABILITY RATING: 94V-0
 - DIELECTRIC WITHSTANDING VOLTAGE: 1800 VAC
 - CURRENT RATING: 3 AMPS
 - CONTACT RESISTANCE: 30 MILLIOHMS MAX.
 - INSULATION RESISTANCE: 5000 MEGOHMS MIN.



CUSTOMER COPY

UNLESS OTHERWISE SPECIFIED: DIMENSIONS ARE IN INCHES [MM]		DRAWN	DATE	NAME	
			9/8/2011	JH	
TOLERANCES:					THE INFORMATION HEREIN CONTAINS PROPRIETARY INFORMATION OF SULLINS ELECTRONICS AND IS NOT TO BE REPRODUCED, USED OR DISCLOSED TO OTHERS FOR ANY PURPOSE EXCEPT AS SPECIFICALLY AUTHORIZED IN WRITING BY AN OFFICER OF SULLINS ELECTRONICS.
ANGULAR: ± 1°					
DECIMALS .XX = ± .02 [0.5] .XXX = ± .005 [0.13] .XXXX = ± .0005 [0.013]					
TITLE		.100" MALE HEADER, STRAIGHT			
PART NUMBER		__C__D__N - (M500)			
SIZE	CAGE CODE	DWG. NO.	REV		
C	54453	C10419	G		
SCALE: 4:1		SHEET 1 OF 1			