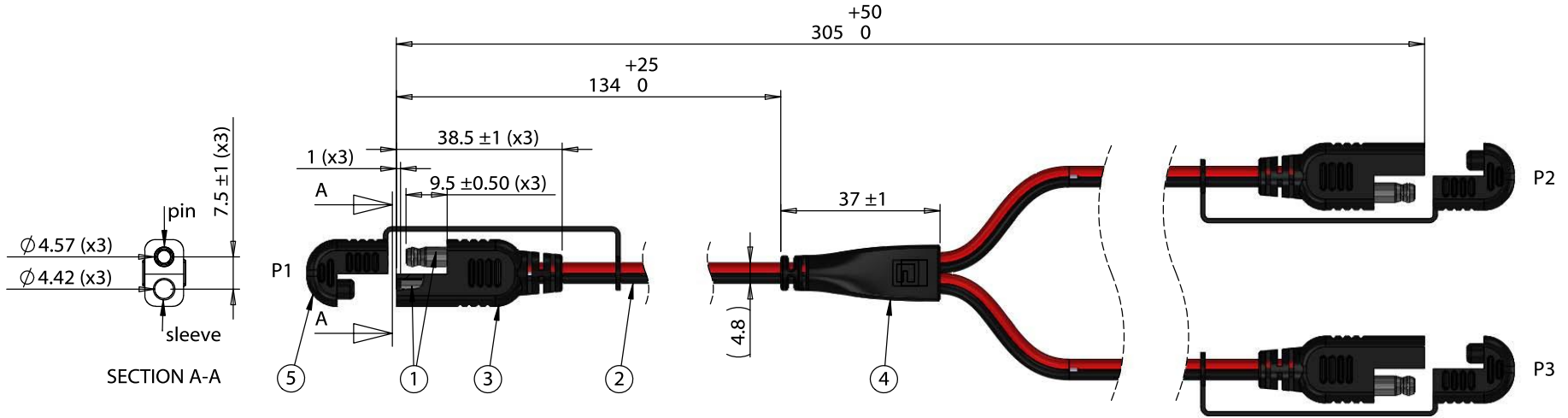


ITEM NO.	PART NUMBER	DESCRIPTION	QTY.	COMPONENT NOTES
1	50-00550	Connector, 4.75x10.2mm SAE, brass nickel plated, molding type	3	
2	30-00792	Wire, 2C TS, 16 AWG, UL2651, 300V, 105C, 4.8 mm, VW-1, PVC, red and black	3	
3	24-00176	Overmold, SAE connector, PVC, black	3	black, 105 °C
4	24-00195	Overmold, splitter, Ø 8.0 mm by 10.0x13.0 mm	1	black, 105 °C
5	55-00059	Dust cap, SAE connector, overmold fit	3	black, 105 °C



Notes:
Functionally equivalent components may be substituted

Wiring Diagram		
P1	wire color	P2 & P3
pin	red (+)	sleeve
sleeve	black (-)	pin

Revision:	Date:	Description:	Prepared:	Notes:	<h1>TENSILITY</h1> <p>tel 1.541.323.3228 800 877.670.7118 fax 1.541.323.4202 web tensility.com</p>
A	1/16/2017	Initial release	PS <small>Digitally signed by PS Date: 2017.08.11 13:50:33 -07'00'</small>	RoHS compliant	
			Verified: GL <small>Digitally signed by GL Date: 2017.08.11 14:13:34 -07'00'</small>	Function test: no open, no short circuit, no intermittent	
			Dimensions are in millimeters. Tolerances: X: ± 0.5 mm X.X: ± 0.3 mm X.XX: ± 0.05 mm	Description: Cable, 305 mm, 50-00550 SAE to Y split to two 50-00550 SAE, 16 AWG, UL2651, 30-00792, R-B wire, caps	
				Size: Part number: A 10-02410	
				Scale: 2:3	Sheet 1 of 1