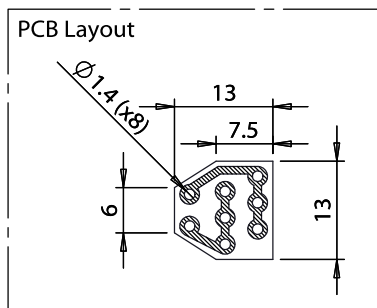
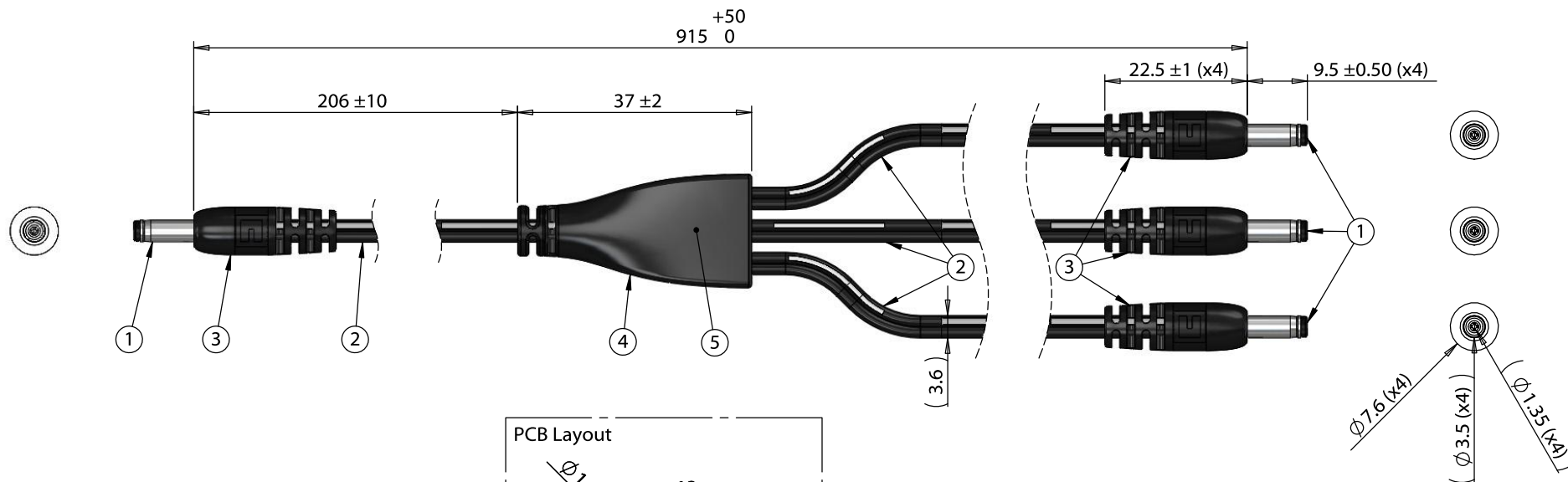


| ITEM NO. | PART NUMBER | DESCRIPTION  | QTY. | COMPONENT NOTES |
|----------|-------------|--|------|-----------------|
| 1        | 50-00056    | Connector, dc plug, 3.5x1.35xL20mm, molding style, spring contacts | 4    |                 |
| 2        | 30-00003    | Wire, 2C BC, 24 AWG, UL2468, 300V, 80C, 3.6 mm, VW-1, PVC, 76A     | 4    |                 |
| 3        | 24-00002    | Overmold, PVC  | 4    | black           |
| 4        | 24-00186    | Overmold, splitter, Ø 8.0 mm by 10.0x18.0 mm                       | 1    | black           |
| 5        | PCB         | Splitter PCB, FR4, two-layer, tin, 13.0x13.0x1.6 mm                | 1    |                 |



| Wiring Diagram |                   |          |
|----------------|-------------------|----------|
| 50-00056       | wire color        | 50-00056 |
| center         | black with stripe | center   |
| sleeve         | black             | sleeve   |

**Notes:**  
Functionally equivalent components may be substituted

|           |           |                 |  |  |  |
|-----------|-----------|-----------------|--|--|--|
| Revision: | Date:     | Description:    | Prepared:  | Notes:   | <h1>TENSILITY</h1> <p>tel 1.541.323.3228 800 877.670.7118<br/>fax 1.541.323.4202 web tensility.com</p> |
| A         | 4/13/2018 | Initial release | JP<br><small>Digitally signed by JP<br/>Date: 2018.04.13<br/>16:41:04 -07'00'</small>              | RoHS compliant   |  |
|           |           |                 | Verified:<br>AW<br><small>Digitally signed by AW<br/>Date: 2018.04.16<br/>16:04:27 -07'00'</small> | Function test: no open, no short circuit, no intermittent  |  |
|           |           |                 | Dimensions are in millimeters.<br>Tolerances:<br>X: ± 0.5 mm<br>X.X: ± 0.3 mm<br>X.XX: ± 0.05 mm   | Description:<br>Cable, 915 mm, 3.5x1.35x9.5 mm 50-00056 dc plug to y-split to 3x 3.5x1.35x9.5 mm dc plug, 24 AWG |  |
|           |           |                 |  | Size: Part number:<br>A 10-02792   |  |
|           |           |                 |  | Scale: 1:1   | Sheet 1 of 1   |

5

4

3

2

1