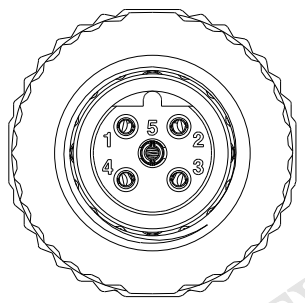
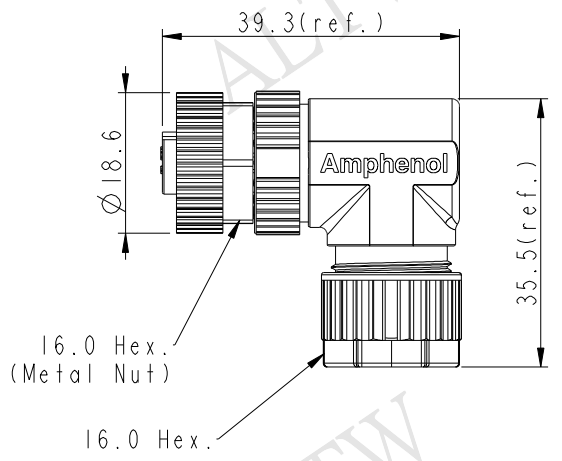
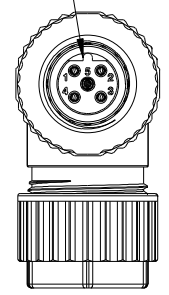
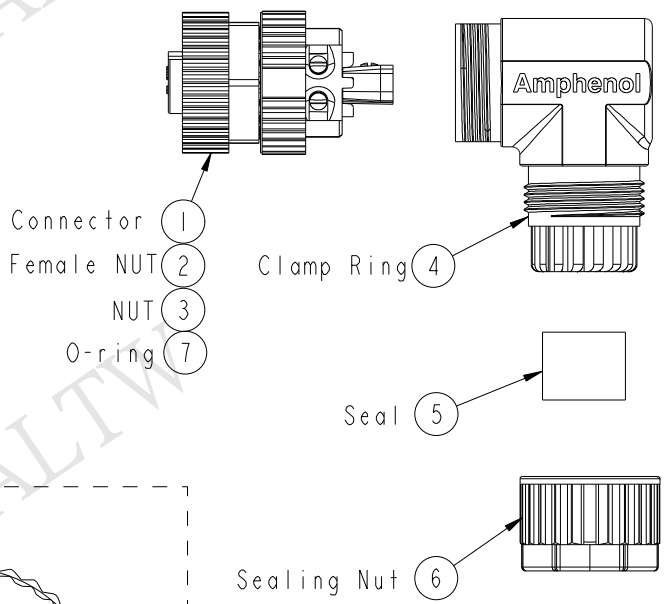


ALTW
CONFIDENTIAL
 2015-10-09
R&D DEPT.

REV.	ECN NO.	DATE	SIGN	DESCRIPTION
A	Initial Release	2015/10/09	Mila	Change Rev.01 To Rev.A

360° Adjustable Key Code Direction



Pin Assignments
 Front View

ALTW
 DCC. DEPT.
 CONFIDENTIAL
 2015.10.28
 ISSUED

UNIT:mm		
TOLERANCE		
±0.5mm		

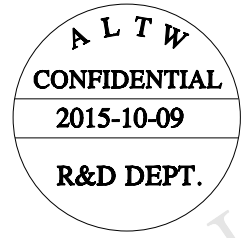
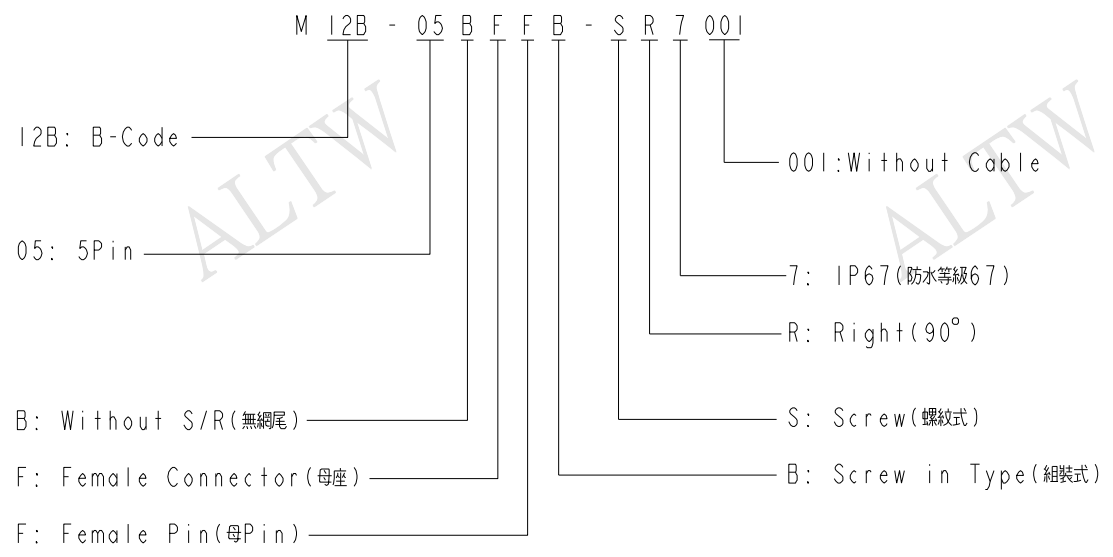
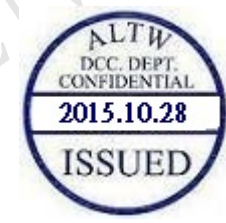
TITLE M12 B-Code 90° Unshielded Assy 5 Pin F Conn. F Pin			
SCALE 1:1	SIZE A4	SHEET 1 OF 2	
REV. A	WC-REV. A.1	QC: Inspection item	

Amphenol LTW
 安費諾亮泰企業股份有限公司

ITEM NO. M12B-05BFFB-SR7001	DRAWN BY Mila	DATE 2015-10-09
DWG NO. M12B-05BFFB-SR7001	CHECKED BY Cary	DATE 2015-10-09
CUSTOMER ALTW	APPROVED BY Jerry	DATE 2015-10-09

THIS DOCUMENT IS SUBJECT TO CHANGE WITHOUT NOTICE. IT IS CONFIDENTIAL AND A PROPERTY OF Amphenol LTW. DISCLOSURE TO THIRD PARTY HAS TO BE AUTHORIZED BY Amphenol LTW.

THIS DOCUMENT IS SUBJECT TO CHANGE WITHOUT NOTICE. IT IS CONFIDENTIAL AND A PROPERTY OF AMPHENOL LTW. DISCLOSURE TO THIRD PARTY HAS TO BE AUTHORIZED BY AMPHENOL LTW.



- Note:
- * Important Dimension To Check.
 - * Waterproof Rate: IP67(Mated)
 - * Housing: Nylon,Black
 - * Female Pin: Copper Alloy, Gold Plated
 - * Female Nut: Zinc Alloy, Nickel Plated
 - * Nut: PBT+PC, Black
 - * O-Ring: Silicon,Grey
 - * Clamp Ring: Nylon,Black
 - * Sealing Nut:PBT+PC,Black
 - * Seal: Silicon,Grey
 - * Seal For Cable OD:Ø 4.0mm~Ø 7.0mm
 - * Screws for Wire connection recommended tightening torque: 0.61~0.84 kgf.cm / 0.059~0.082 N.m
 - * Applicable Wire gauge (Stranded wire cross section) 0.14mm² (26AWG) ~ 0.82mm² (18AWG)
 - * Mating Recommended tightening torque: 3~4 kgf.cm / 0.29~0.39 N.m
 - * Sealing-Nut Recommended tightening torque: 4~6 kgf.cm / 0.39~0.59 N.m
 - * Detailed applicable wire specifications may vary depending on the actual wire construction.

UNIT:mm		TITLE		ITEM NO	DRAWN BY	DATE			
		M12 B-Code 90° Unshielded Assy					M12B-05BFFB-SR7001	Mila	2015-10-09
		5 Pin F Conn. F Pin					DWG NO	CHECKED BY	DATE
TOLERANCE	$\pm 0.5\text{mm}$	SCALE	SIZE	SHEET	OF	M12B-05BFFB-SR7001	Cary	2015-10-09	
		1:1	A4	2	2	CUSTOMER	APPROVED BY	DATE	
		REV.	WC-REV.	: Inspection item		ALTW	Jerry	2015-10-09	
Amphenol LTW				安費諾亮泰企業股份有限公司					
								8 FMM10702-01-02A1	