

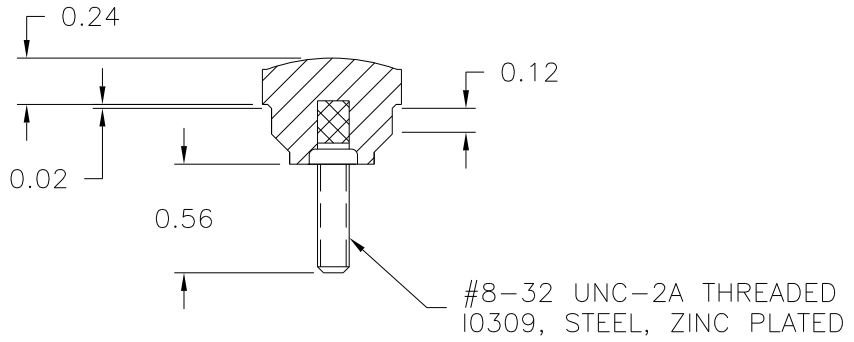
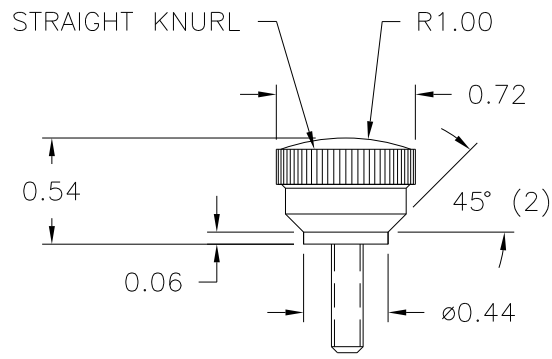
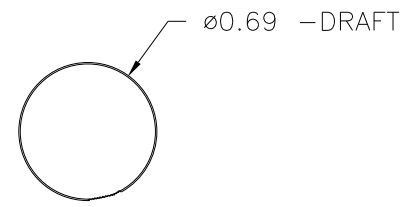
PART NAME: KNOB      SCALE: 1:1      DATE: 1/21/86      DR. BY HD

THIS DRAWING IS THE PROPERTY OF DAVIES MOLDING COMPANY, IS SUBMITTED SOLELY AS A DESIGN OR ENGINEERING PROJECT. WE ACCEPT NO RESPONSIBILITY WHATSOEVER FOR THE PRACTICAL APPLICATION OF THE PIECES MADE TO THIS DESIGN.



DESIGNERS & MANUFACTURERS OF KNOBS, HANDLES, CASES & CUSTOM PLASTIC COMPONENTS

P/N	2715-A
M <sup>NO.</sup>	#0004
CAVITY	2715
CORE	2715
BUSHING	2715
EJECT. PIN	2715 (8-32)
INSERT	10309



(B) MATERIAL: NYLON 6/6 (ZY2), (ZY6)  
OR ENGINEERING APPROVED EQUIVALENT  
COLOR: BLACK

TOLERANCES: UNLESS OTHERWISE SPECIFIED	DO NOT SCALE DRAWING	B	WAS CLC, ADDED ZY6	JAM	6/25/12
		A	ADDED MAT. CODE	DS	1/4/07
DECIMALS: X.XXX ± .005 X.XX ± .015	MM: X.XX ± 0.15MM X.X ± 0.4MM	-	IMPROVED REDRAW	TS	12/13/2000
		-	CAD/REDRAWN	HD	10/20/92
FRACTIONS ± 1/64	ANG. ± 1°	CHANGES			