



36W Medical Grade Adapter with Interchangeable Plugs*



*Plugs sold separately

Features

- Meets DoE Level VI/CoC V Tier 2
- Field Changeable AC Plugs
- IEC60601-1:2005+A:2012 2xMOPP approved
- IEC60601-1-2 Ed4 2014 compliant
- Meets Type BF requirements
- LPS compliant
- OVP, OCP, SCP, OTP, brown-in and brown-out protections

Applications

- Ventilators
- Workstations
- Monitoring machines
- Ultrasound machine

Safety Approvals

- UL 60601-1
- CE
- CB
- TUV
- IEC 60601-1

Mechanical Characteristics

- Length: 106.5mm (4.19in)
- Width: 51.5mm (2.03in)
- Height: 38.5mm (1.52in)
- Weight: 220g (7.76oz)

Output Specifications

Model	DC Output Voltage	Load		Ripple ⁽¹⁾ P-P (max.)	Regulation Line & Load	Case Color
		Min.	Max.			
PMA36R-120PHW	12V	0A	3A	150mV	±5%	White

(1) Test by 20Mhz bandwidth mode hi resolution with 10uF and 0.1uF capacitor

Phihong is not responsible for any error, and reserves the right to make changes without notice. Please visit our website at www.phihong.com for the most up-to-date specifications and contact information.

INPUT:**AC Input Voltage Rating**

100 to 240V AC

AC Input Voltage Range

90 to 264V AC

AC Input Frequency

47 to 63Hz

Input Current

1.2A max at 100VAC

Leakage Current

<100uA at 264VAC/50Hz

Inrush Current

80A maximum at 240V AC

OUTPUT:**Efficiency**

DOE Level VI and CoC V5 tier 2

ENVIRONMENTAL:**Temperature**

Operation +10°C to +40°C

Non-operation -20°C to +80°C

Relative Humidity 90% RH Max

Emissions

IEC 60601-1-2:2014

FCC PART 18 CLASS B

EN55011 CLASS B

AS/NZS CISPR11 CLASS B

Immunity

ESD: EN 61000-4-2

RS : EN61000-4-3

EFT/Burst : EN61000-4-4

Surge: EN 61000-4-5

CS : EN61000-4-6

Power Frequency Magnetic Field : EN61000-4-8

Voltage Dips : EN61000-4-11

FEATURES:**Over-Voltage Protection**

17V auto recover

Short-Circuit Protection

The power supply shall be protected when operating any output in overload condition, or when operating any output in a short. The power supply shall be self-recovering when the fault condition is removed circuit condition.

Over-Current Protection

The power supply will be protected when output power at 4.35A(min) of all rated dc output. Auto-recover

Over-Temperature Protection

Latch off mode

Dielectric Withstand (Hi-pot) Test

Pri. to Sec. >4000VAC 10mA for 1 Minute

DC Output Connector

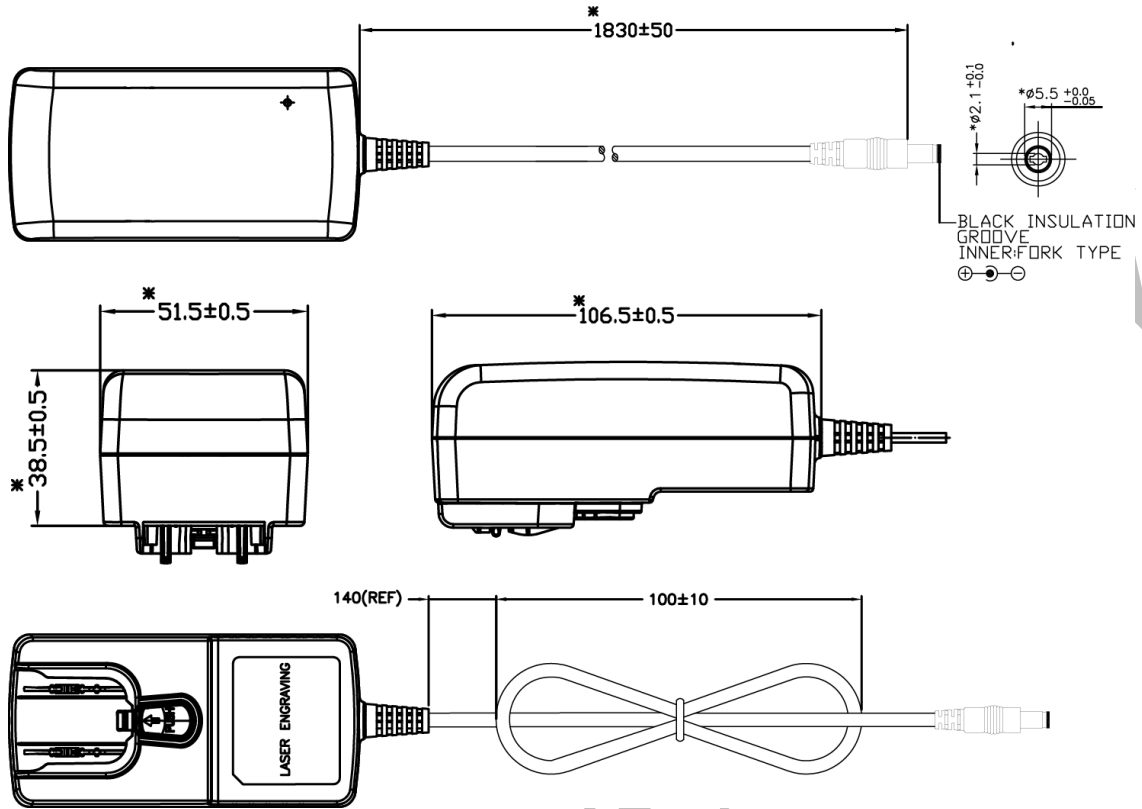
DC plug type 5.5 x 2.1 x 10mm (fork & groove)

DC plug pin assignment: Inner (+V), Outer GND(-)

Medical AC Input Clips (sold separately)

Part no:	Description:
RPA-MAB1W	US – white
RPB- MAB1W	Brazil – white
RPE- MAB1W	Euro – white
RPH- MAB1W	Korea – white
RPK- MAB1W	UK – white
RPN-MAB1W	Argentina – white
RPS- MAB1W	AU – white

Dimension Diagram Unit: mm (inch)



PRELIMINARY