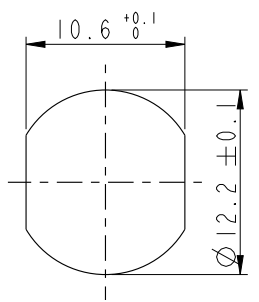
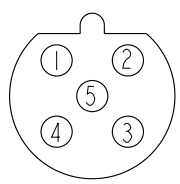
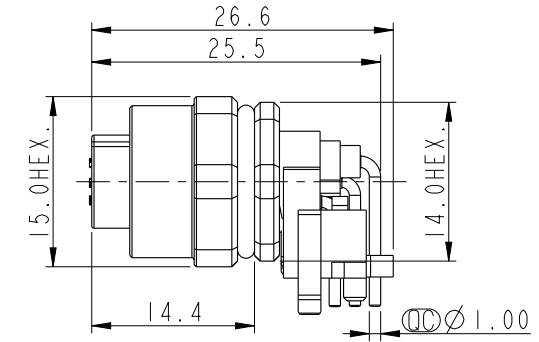
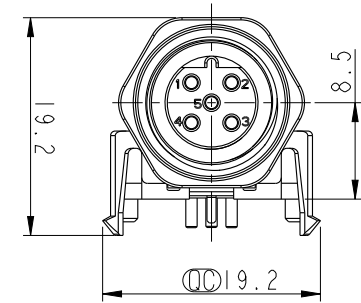
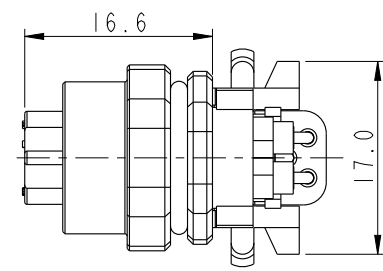
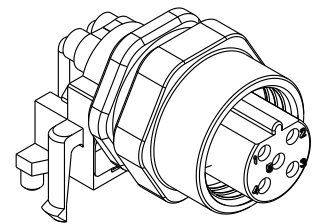
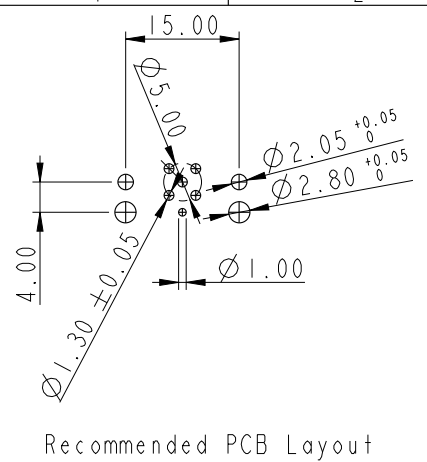
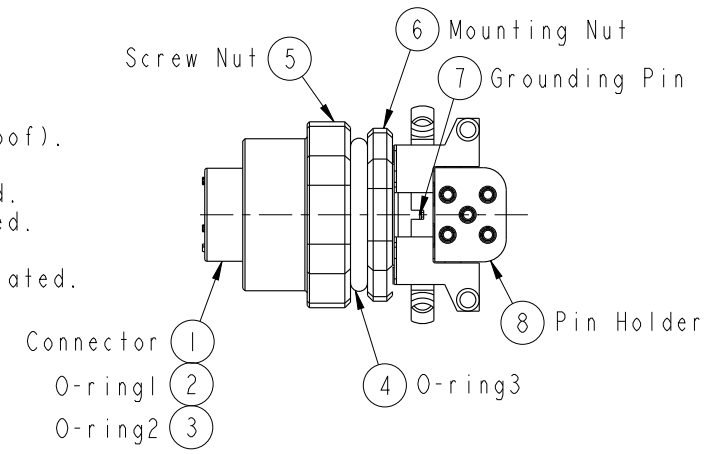


THIS DOCUMENT IS SUBJECT TO CHANGE WITHOUT NOTICE. IT IS CONFIDENTIAL AND A PROPERTY OF Amphenol LTW. DISCLOSURE TO THIRD PARTY HAS TO BE AUTHORIZED BY Amphenol LTW.

REV.	ECN NO.	DATE	SIGN	DESCRIPTION
B	C200275	2020-03-13	Nan_Su	△B*1



- Note:
- * Ⓞ Important Dimension To Check.
 - * Waterproof Rating: IP67(Mated Waterproof).
 - * Connector: PBT+PC, Black.
 - * Female Pins: Copper Alloy, Gold Plated.
 - * Mounting Nut: Zinc Alloy, Nickel Plated.
 - * Screw Nut: Zinc Alloy, Nickel Plated.
 - * Grounding Pin: Copper Alloy, Nickel Plated.
 - * O-ring1: Silicon, Black.
 - * O-ring2: Silicon, Gray.
 - * O-ring3: Silicon, Gray.
 - * Pin Holder: PBT+PC, Black.
 - * For Panel Thickness Max. 3.0mm.
 - * For PCB Thickness Max. 1.6mm.



UNIT:mm		
TOLERANCE	.X ±0.25	
.XX ±0.1		
.XXX ±0.05		
ANGLES	±1°	

TITLE M12,90° Panel,w/ Grounding Pin 5PIN FCONN FPIN (Mated Waterproof)			
SCALE 3:2	SIZE A4	SHEET 1 OF 1	
REV. B	WC-REV. A.1	Ⓞ: Inspection item	

Amphenol LTW
安費諾亮泰企業股份有限公司

ITEM NO. MSBS-05PFFR-SF7003	DRAWN BY Yulong_wang	DATE 2016-12-11
DWG NO. MSBS-05PFFR-SF7003	CHECKED BY Jinhai	DATE 2016-12-11
CUSTOMER ALTW	APPROVED BY Jerry	DATE 2016-12-11

DATE 2016-12-11
DATE 2016-12-11
DATE 2016-12-11