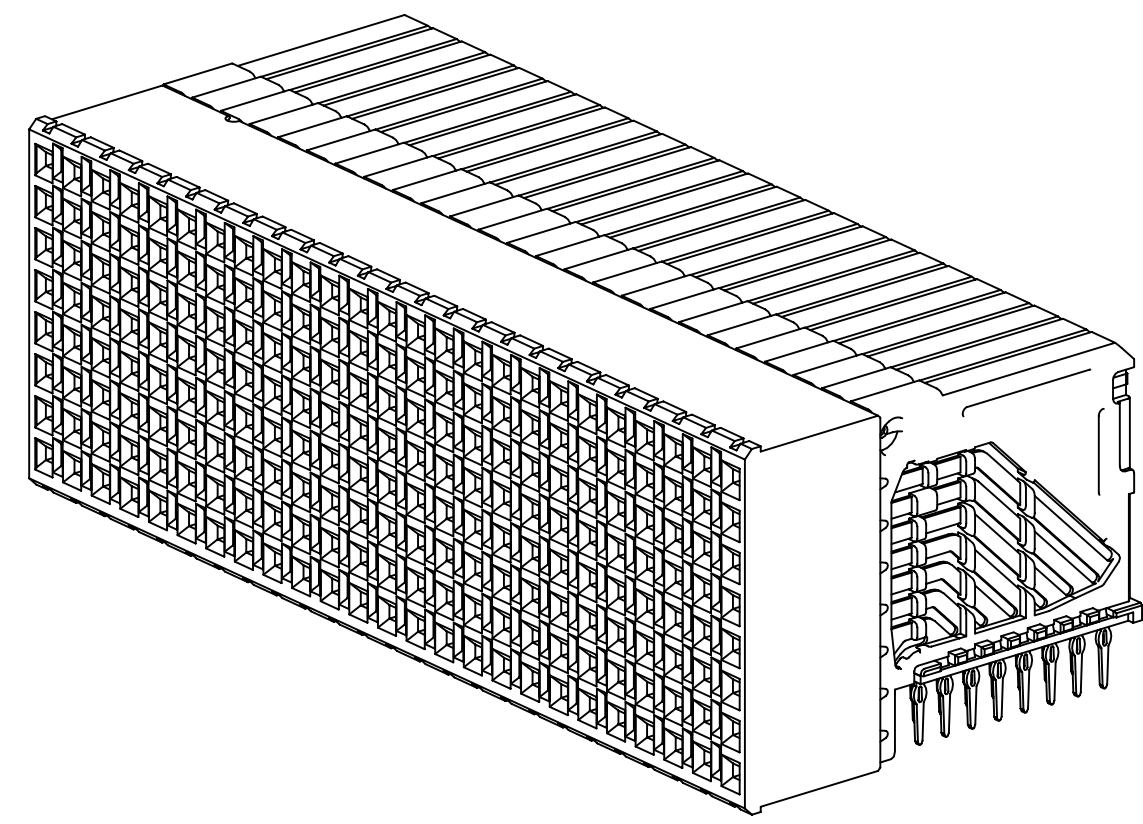


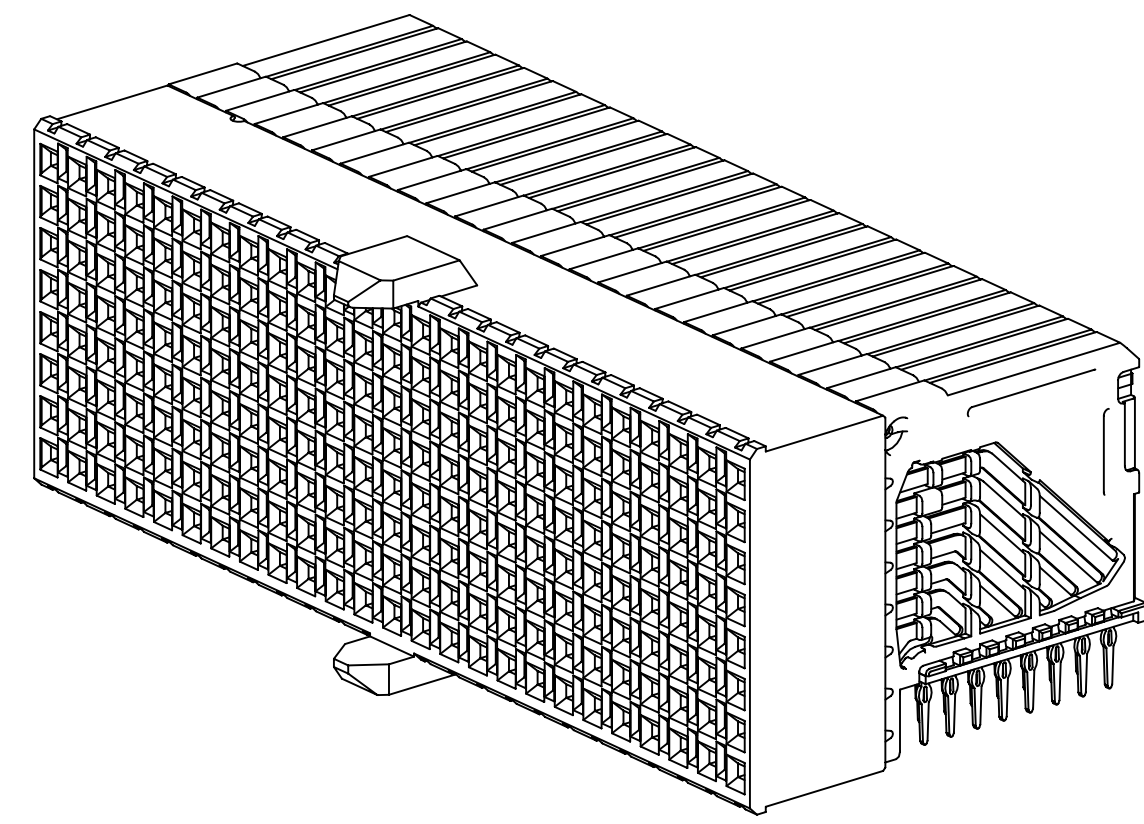
3M™ HM PRESS-FIT SOCKET, 8-ROW, HM SERIES
FOR HARD METRIC APPLICATIONS

- * MODULAR/SCALABLE FORMAT: IEC 61076-101.
- * 101 MATED LINES PER LINEAR INCH.
- * DUAL BEAM CONTACT CONSTRUCTION FOR HIGH RELIABILITY.
- * FOUR INTEGRATED 8.25A POWER BLADES.
- * MULTI-PURPOSE CENTER (MPC) FOR KEYING AND GUIDANCE.
- * END-TO-END STACKABLE WITH 8 ROW 3M™, HM AND HSHM PRODUCTS.
- * INTEGRATED GUIDE FINGERS.
- * MATES WITH 3M™ HSHM HEADERS.

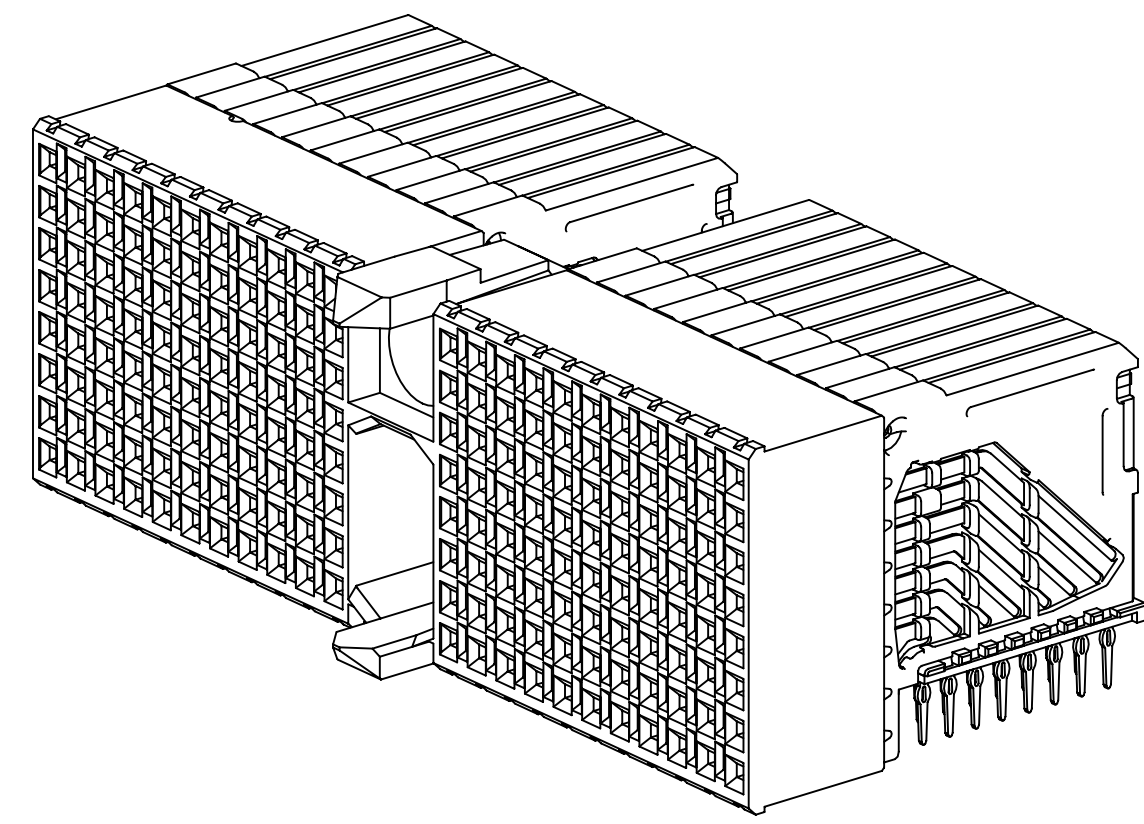
- NOTES
- MATERIAL:
PLASTIC: HIGH TEMP LCP,
UL94V-0
CONTACTS: COPPER ALLOY.
 - REGULATORY INFORMATION:
ROHS COMPLIANT. SEE THE REGULATORY
INFORMATION APPENDIX (RIA) IN THE
"ROHS COMPLIANCE" SECTION OF
WWW.3MCONNECTORS.COM FOR COMPLIANCE
INFORMATION (RIA E1 & C1 APPLY)
 - IN THE EVENT OF CONFLICT
BETWEEN THIS DATA AND THAT
CONTAINED IN THE PRODUCT
SPECIFICATION, THE PRODUCT
SPECIFICATION TAKES PRECEDENT.



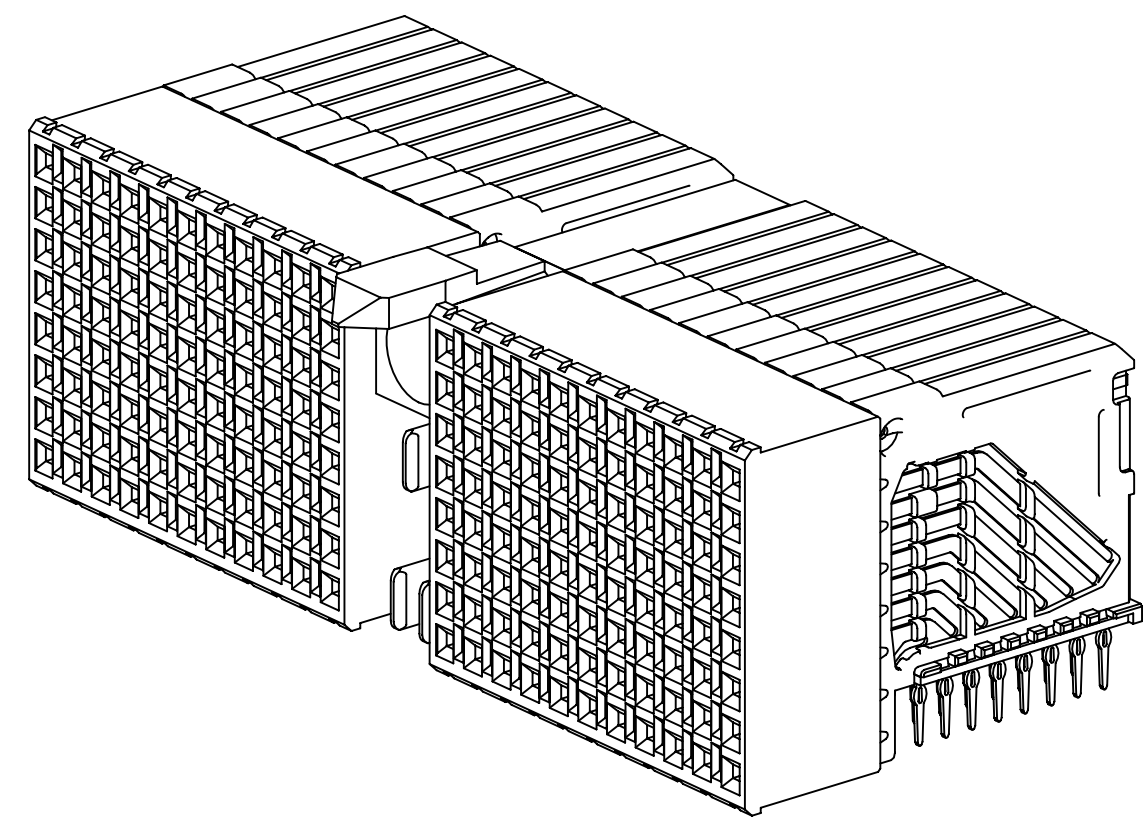
HM-S200E1-8AP1



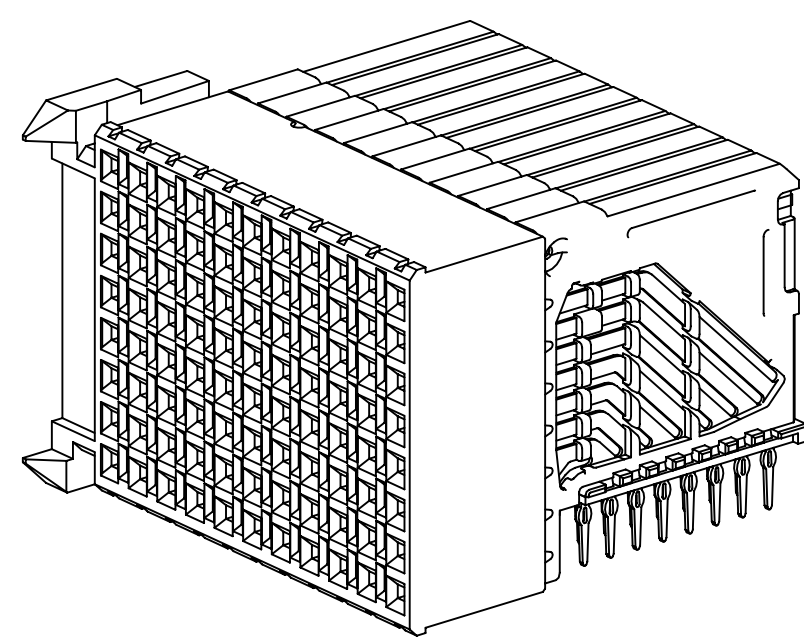
HM-S200DE1-8AP1



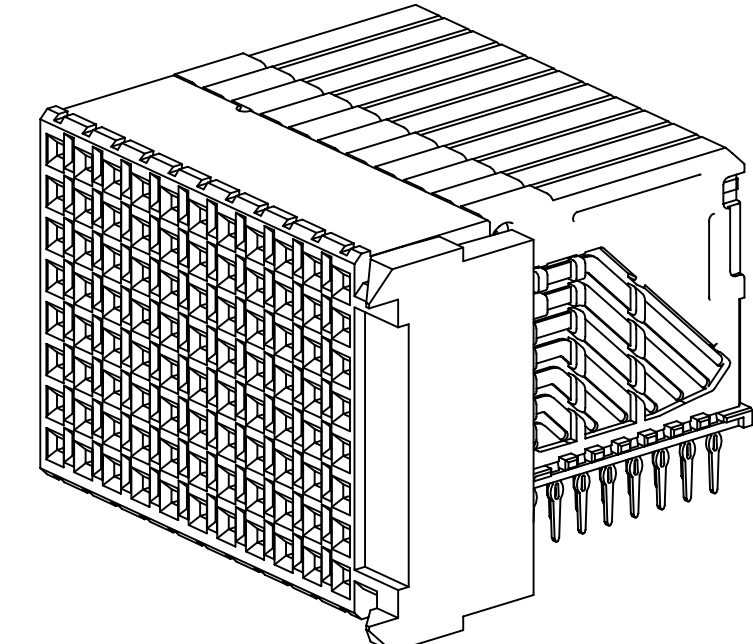
HM-S176D1-8AP1



HM-S176DPWR1-8AP1



HM-S088FL1-8AP1



HM-S088FR1-8AP1

MECHANICAL:

NORMAL FORCE (NOMINAL): .57N [58g] SIGNAL
 ENGAGEMENT FORCE (NOMINAL): .32N [33g] SIGNAL
 SEPARATION FORCE (NOMINAL): .20N [20g] SIGNAL
 WIPE (NOMINAL, SHORTEST CONTACT): 2.67 [.105] SIGNAL
 MATE/UNMATE CYCLES: 250
 APPLICATION: THIS MODULE IS NOT SUITABLE
 FOR STAND-ALONE USE.

ELECTRICAL:

CURRENT RATING (FULLY LOADED): 1A @ 70°C SIGNAL
 INSULATION RESISTANCE: $1 \times 10^4 \text{ M}\Omega$ @ 100 V_{DC}
 WITHSTANDING VOLTAGE: 750V_{RMS}

ENVIRONMENTAL:

TEMPERATURE RATING: -55°C TO 125°C

ORDERING INFORMATION

HM-SXXXXX1-8AP1-XXXXX

SOCKET POSITION
AND TYPE

PLATING:

- TG30L = .76μm [30μIN] MIN. GOLD ON CONTACT AREA, LUBRICATED
 2.54μm [100μIN] MIN. TIN/LEAD ON TERMINAL AREA (RIA C2 & E3 APPLY)
 1.27μm [50μIN] MIN. NICKEL ALL OVER.
 TYPICALLY HIGHER MAKE ORDER QUANTITIES AS COMPARED TO TG30.
- TG30 = .76μm [30μIN] MIN. GOLD ON CONTACT AREA
 2.54μm [100μIN] MIN. TIN/LEAD ON TERMINAL AREA (RIA C2 & E3 APPLY)
 1.27μm [50μIN] MIN. NICKEL ALL OVER.
 STANDARD OPTION.
- TG50 = 1.27μm [50μIN] MIN. GOLD ON CONTACT AREA, LUBRICATED
 2.54μm [100μIN] MIN. TIN/LEAD ON TERMINAL AREA (RIA C2 & E3 APPLY)
 1.27μm [50μIN] MIN. NICKEL ALL OVER.
 NON-STANDARD OPTION (AVAILABLE WITH LONGER LEAD TIMES AND
 HIGHER MAKE ORDER QUANTITIES, MOQ)

3M™ ELECTRONIC SOLUTIONS DIVISION
 INTERCONNECT SOLUTIONS
<http://www.3mconnectors.com>

3M IS A TRADEMARK OF 3M COMPANY.
 FOR TECHNICAL, SALES OR ORDERING
 INFORMATION CALL 800-225-5373

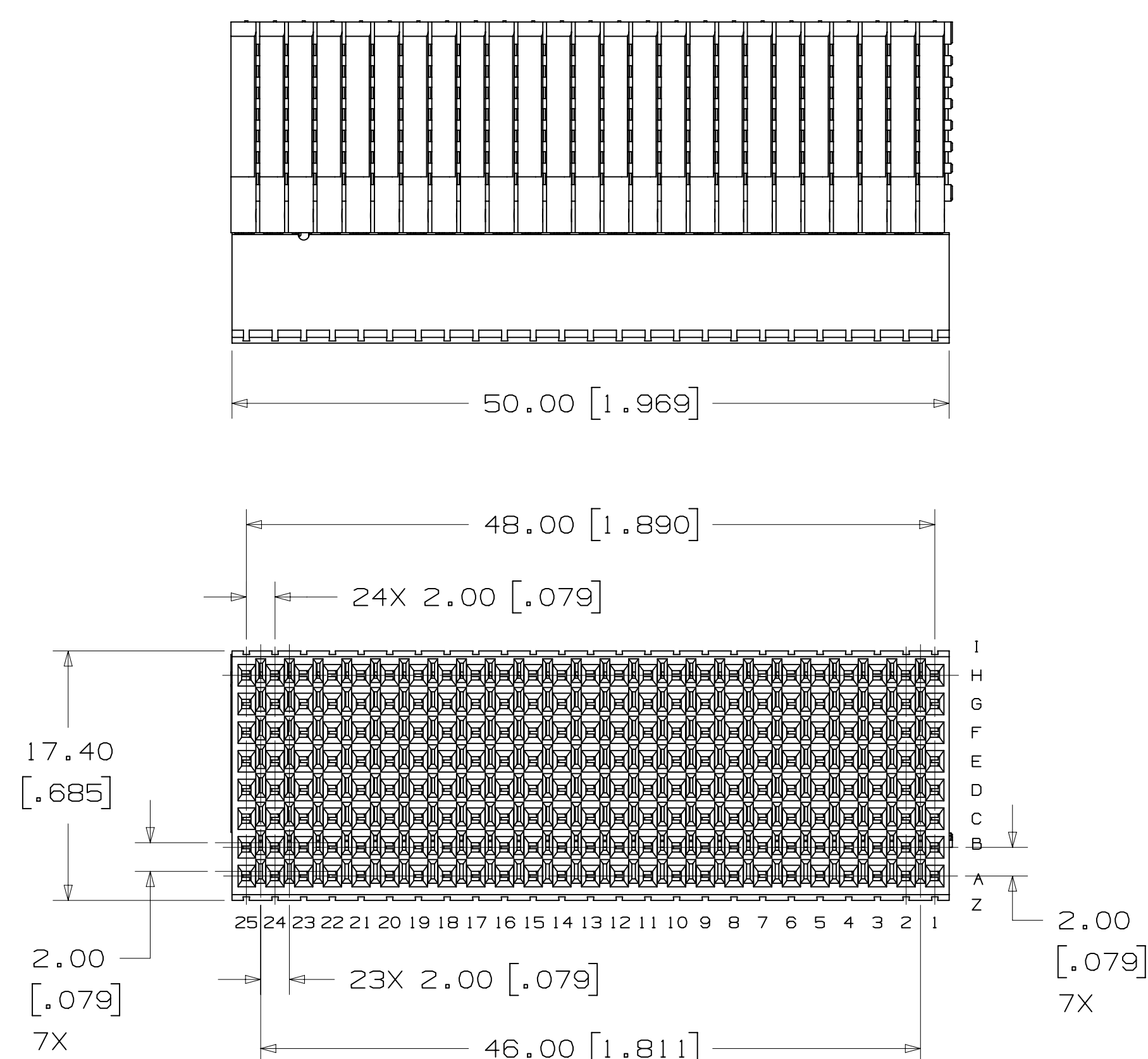
DIMENSIONS: MM [INCHES]

DESIGN REFERENCE	NEXT ASSEMBLY	REV	ECO	ISSUE DATE AND DESCRIPTION	DRFT	CHKD
		B	50345	OCT 07, 2013 REMOVED KR PLATING. REVISE RIA CALLOUT.	JNC	TS
		A	39778	MAR 23, 2012 PRODUCTION RELEASE	JNC	TS
REV	ECO	ISSUE DATE AND DESCRIPTION	DRFT	CHKD		
CHKD	DATE	APPRV	DATE			
		CASTIGLIONE	MAR 23, 2012	MFG		
				T. SUNIGA		MAR 26, 2012
DIVISION	INTERCONNECT SOLUTIONS	DIVISION CODE	ISD	© 3M COPYRIGHT 2012		
DO NOT SCALE DRAWING	SCALE 3/1	TOLERANCES EXCEPT AS NOTED		This document and the information it contains are 3M property and may not be reproduced or further distributed without 3M permission, or used or disclosed other than for 3M authorized purposes. All rights reserved.		
THIRD ANGLE PROJECTION	INTERPRET PER ASME Y14.5 - 1994	MILLIMETERS 0 ± .3		TITLE HM PRESS-FIT 8-ROW SOCKET CONNECTORS, HM SERIES		
MAX SURFACE ROUGHNESS	SURFACES	0 ± .13		CAGE NUMBER	SIZE	DRAWING NO.
<input checked="" type="checkbox"/> MARKED ONLY	ANGLES	.000 ±		D		78-5100-2516-2
				MODEL	DET	REV.
					ISTS	YES
					NO	SHT 1 OF 4

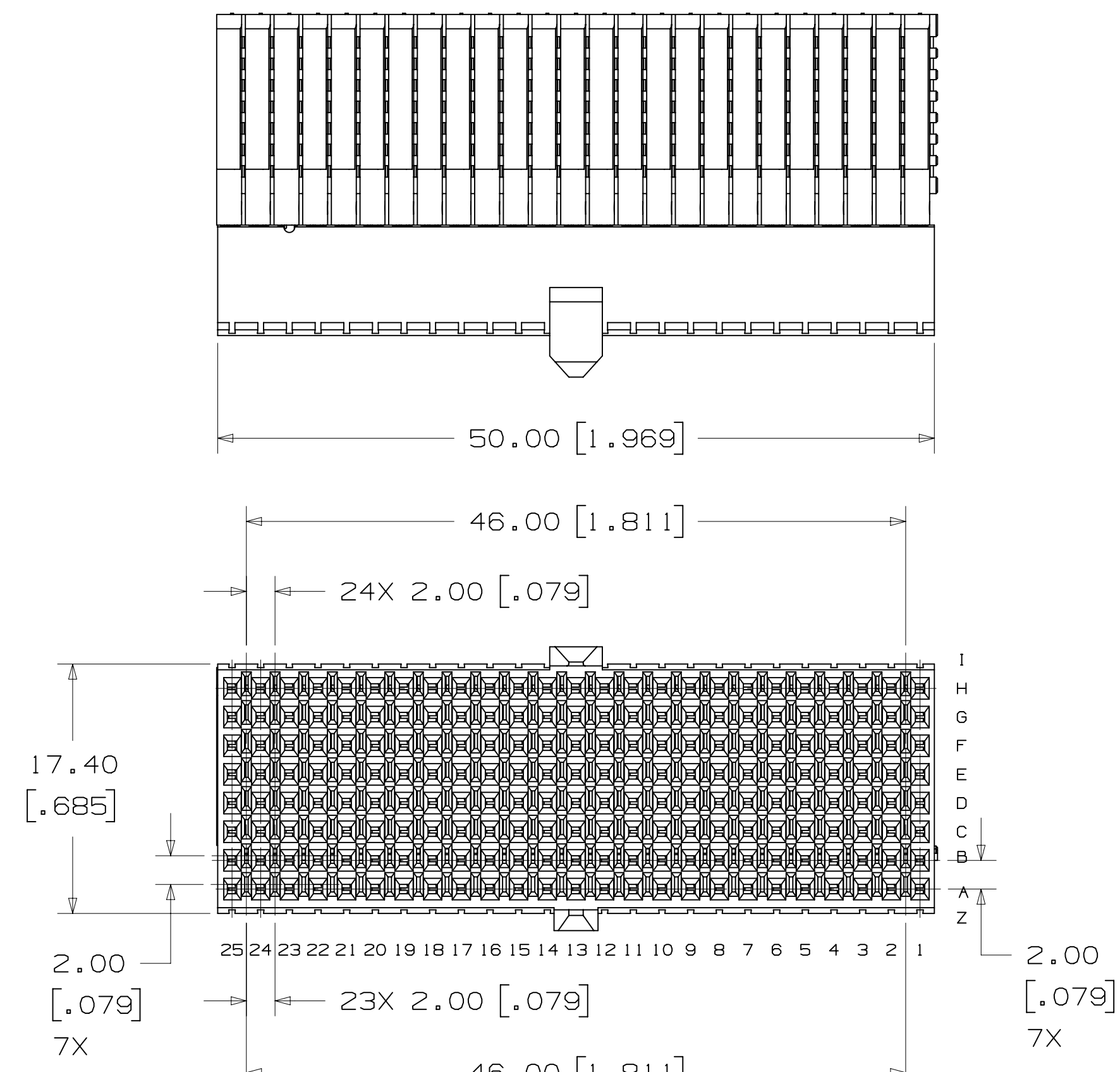
UL
 UL FILE NO: E68080

78-5100-2516-2
DRAWING NUMBER
B
REV. 10/7/2013 2:10 PM UTC-05:00

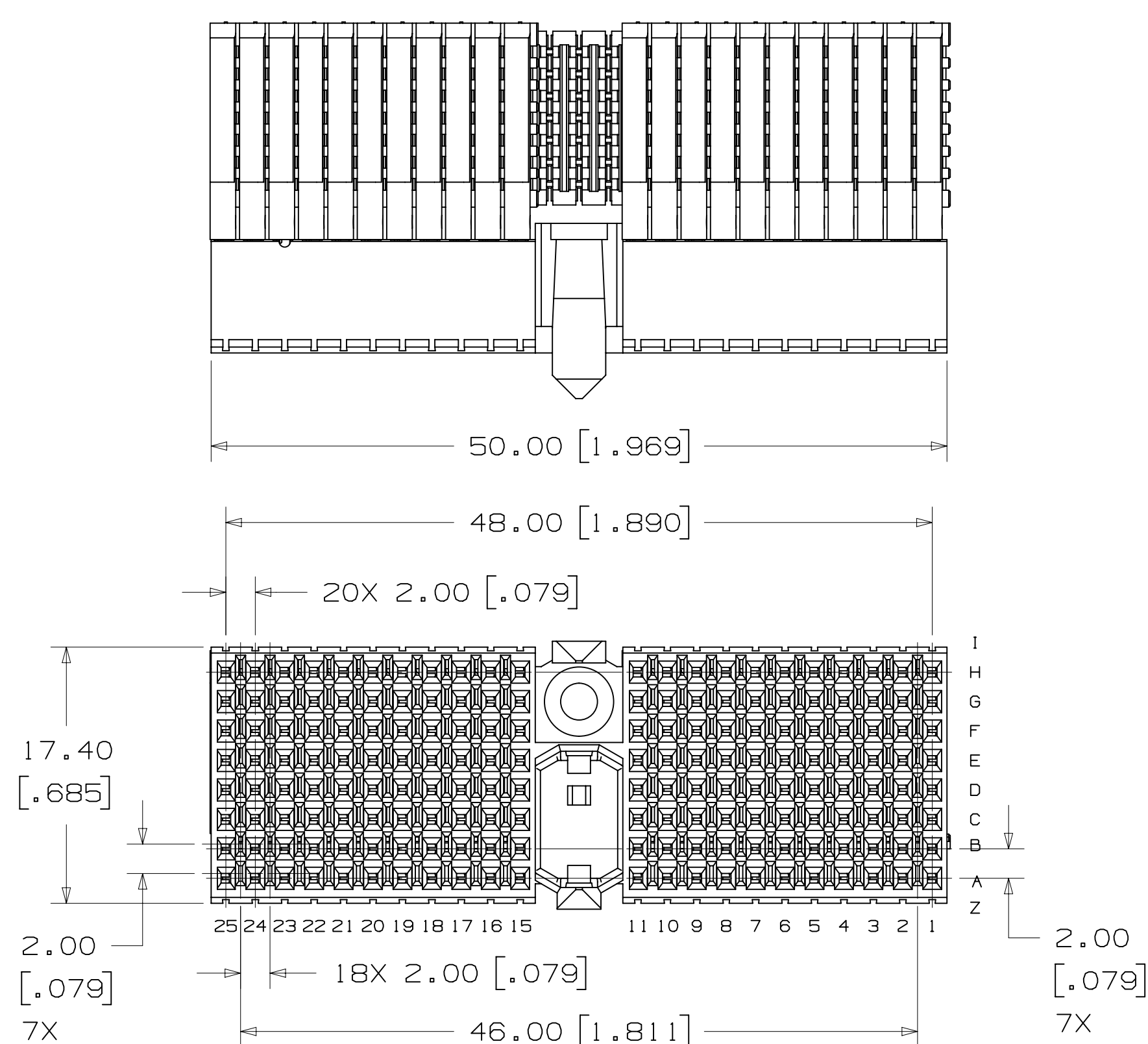
3M™ HM PRESS-FIT SOCKET, 8-ROW, HM SERIES
FOR HARD METRIC APPLICATIONS



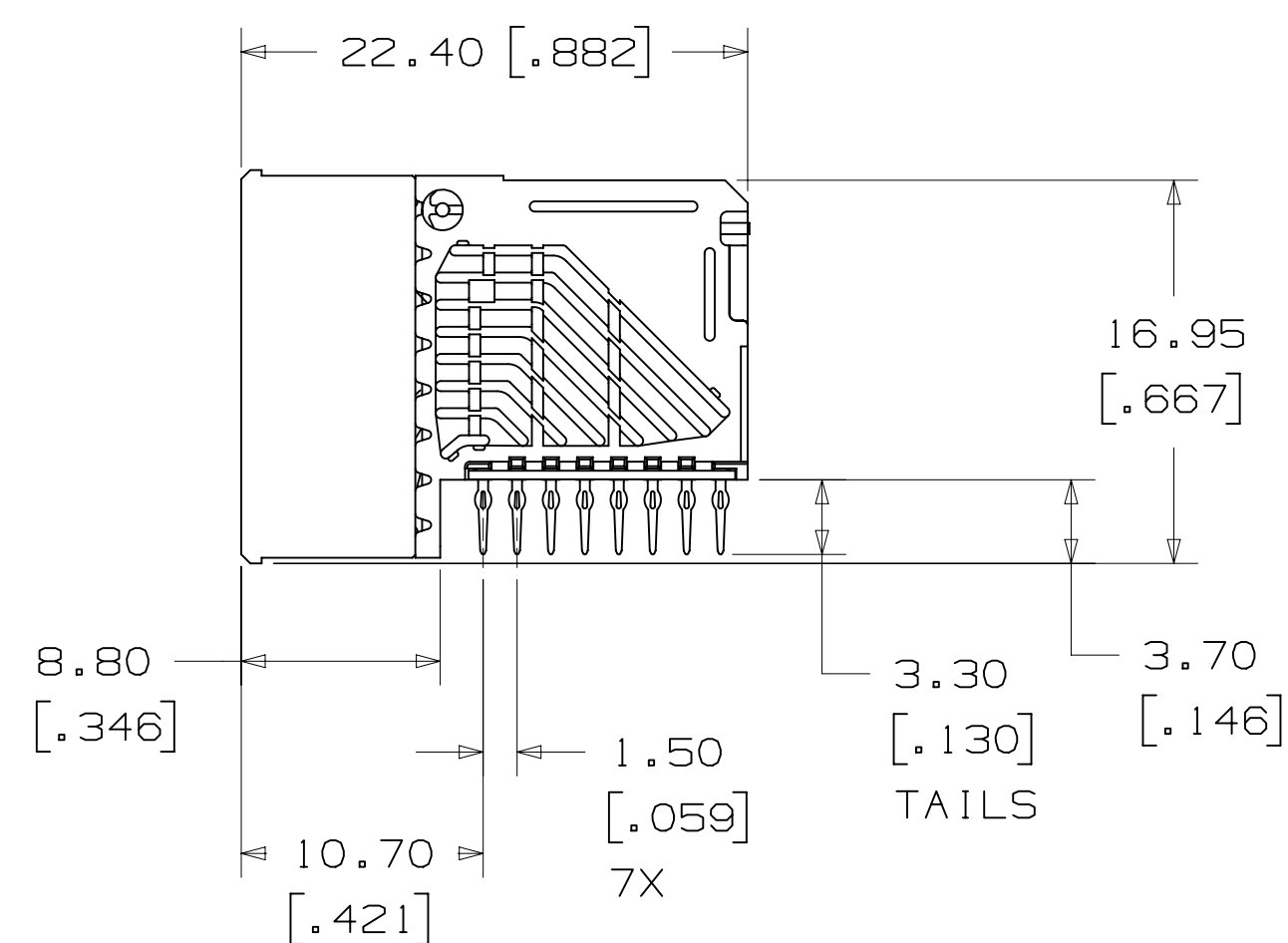
HM-S200E1-8AP1



HM-S200DE1-8AP1



HM-S176D1-8AP1

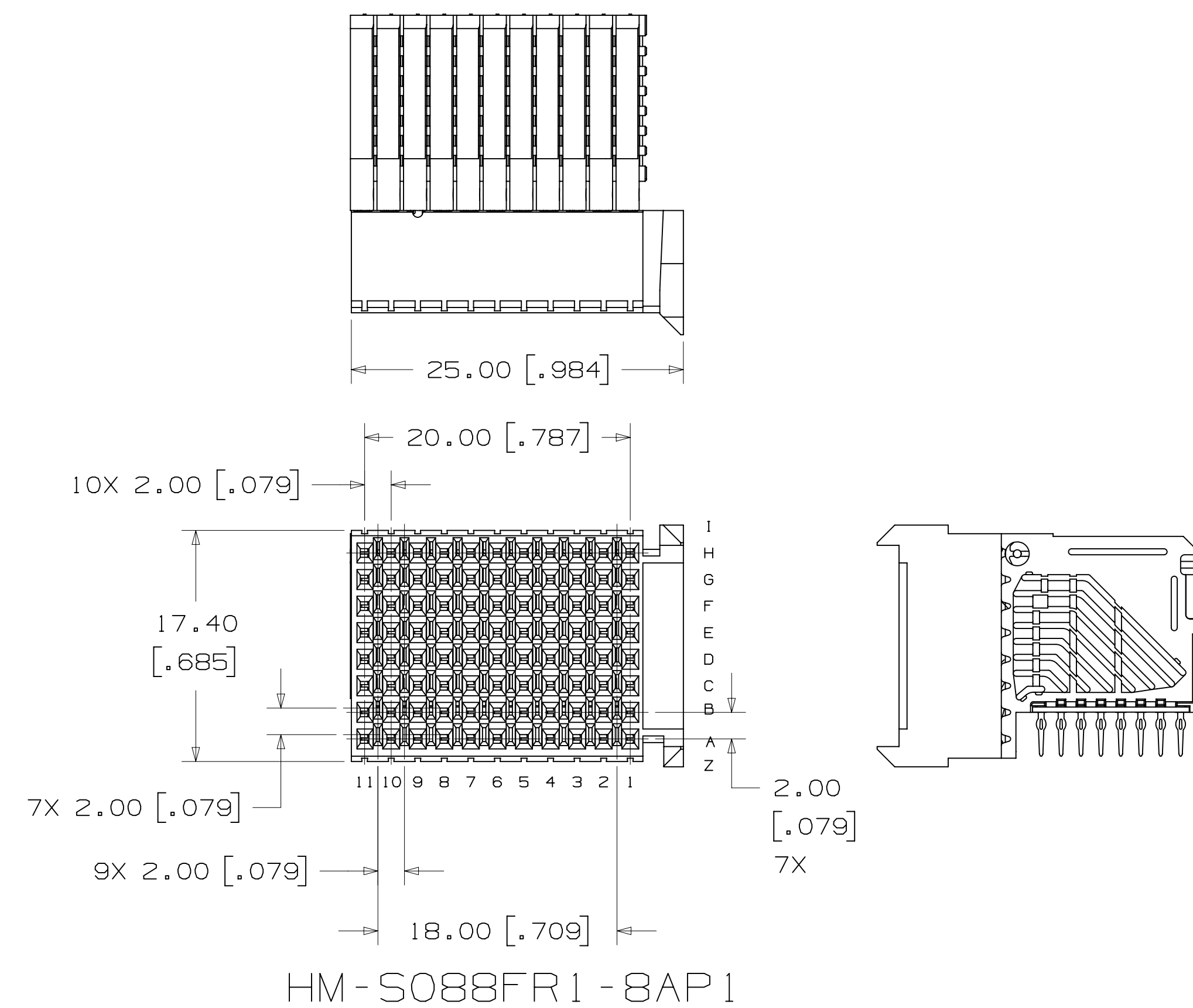
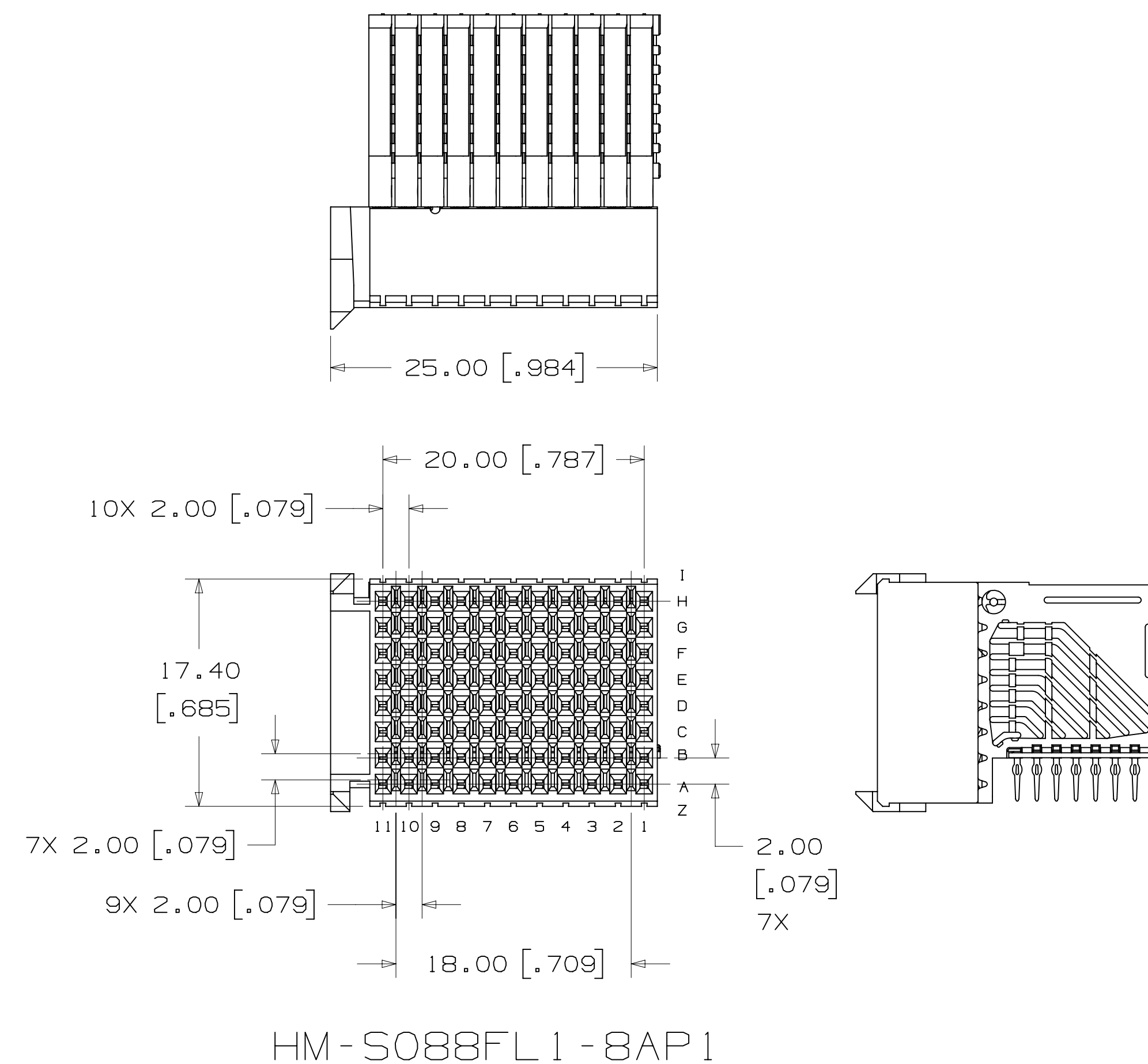
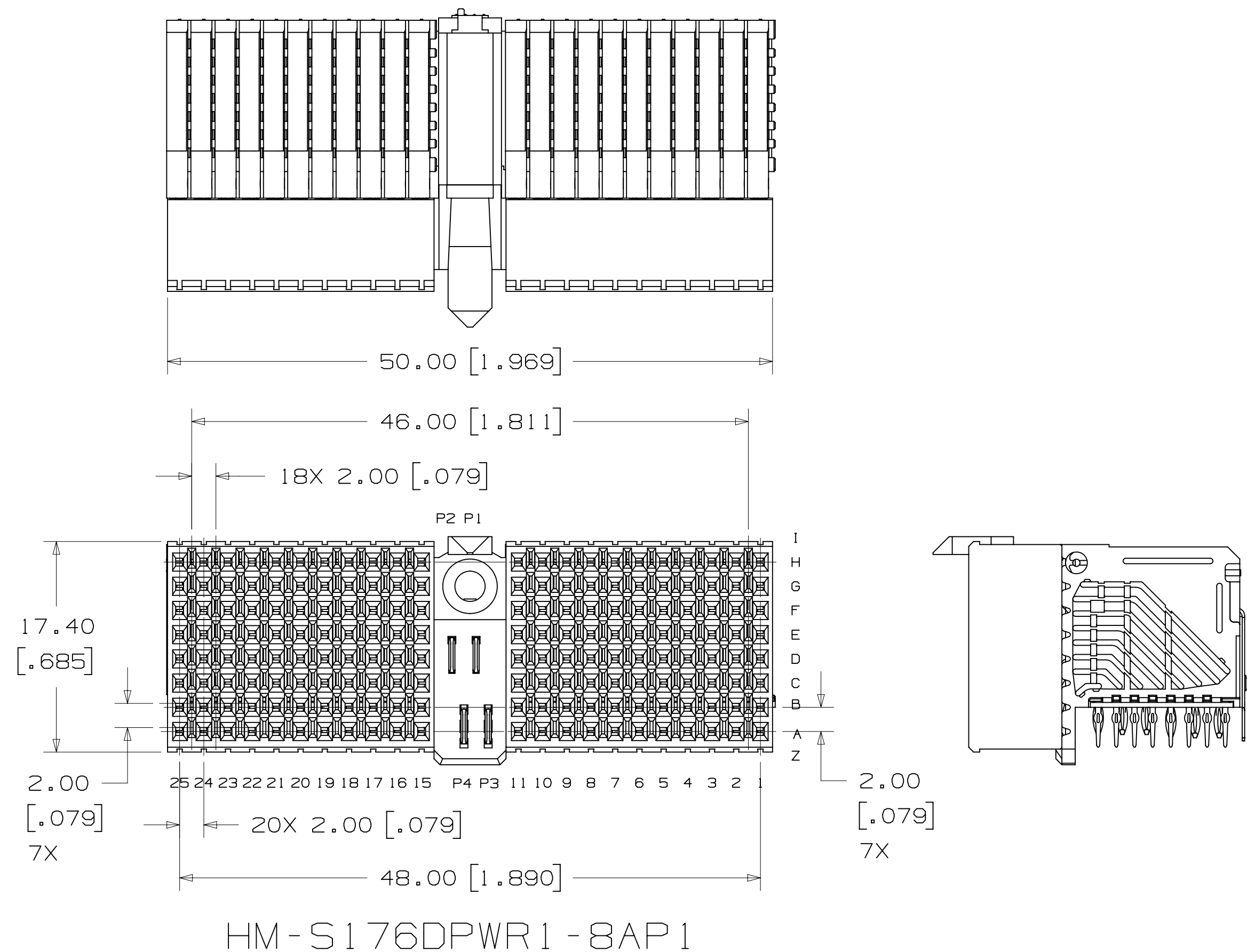


TYPICAL SIDE VIEW DIMENSIONS FOR THE SOCKETS ON THIS DRAWING

DESIGN REFERENCE	NEXT ASSEMBLY	REV	ECO	ISSUE DATE AND DESCRIPTION	DRFT	CHKD
		B	50345	OCT 07, 2013 REMOVED KR PLATING. REVISE RIA CALLOUT	JNC	TS
		A	39778	MAR 23, 2012 PRODUCTION RELEASE	JNC	TS
DRW CODES		CHKD	CASTIGLIONE	DATE MAR 23, 2012	DATE	
		APPV	T. SUNIGA	DATE MAR 26, 2012		
DIVISION	DIVISION CODE	© 3M COPYRIGHT 2012 This document and the information it contains are 3M property and may not be reproduced or further distributed without 3M permission, or used or disclosed other than for 3M authorized purposes. All rights reserved.				
Interconnect Solutions	ISD	3M Center St. Paul, MN 55144				
DO NOT SCALE DRAWING	SCALE 3/1	TOLERANCES EXCEPT AS NOTED INCHES .00 ± .01 .000 ± .005 .0000 ±				
THIRD ANGLE PROJECTION		MILLIMETERS 0 ± .3 .00 ± .13 .000 ±				
MAX SURFACE ROUGHNESS		CAGE NUMBER D 78-5100-2516-2				
MARKED SURFACES		MODEL SHT 2 OF 4				

78-5100-2516-2
 DRAWING NUMBER
 B
 REVISION
 A
 10/7/2013 2:10 PM UTC-05:00
 Imaged: B.1

3M™ HM PRESS-FIT SOCKET, 8-ROW, HM SERIES
FOR HARD METRIC APPLICATIONS

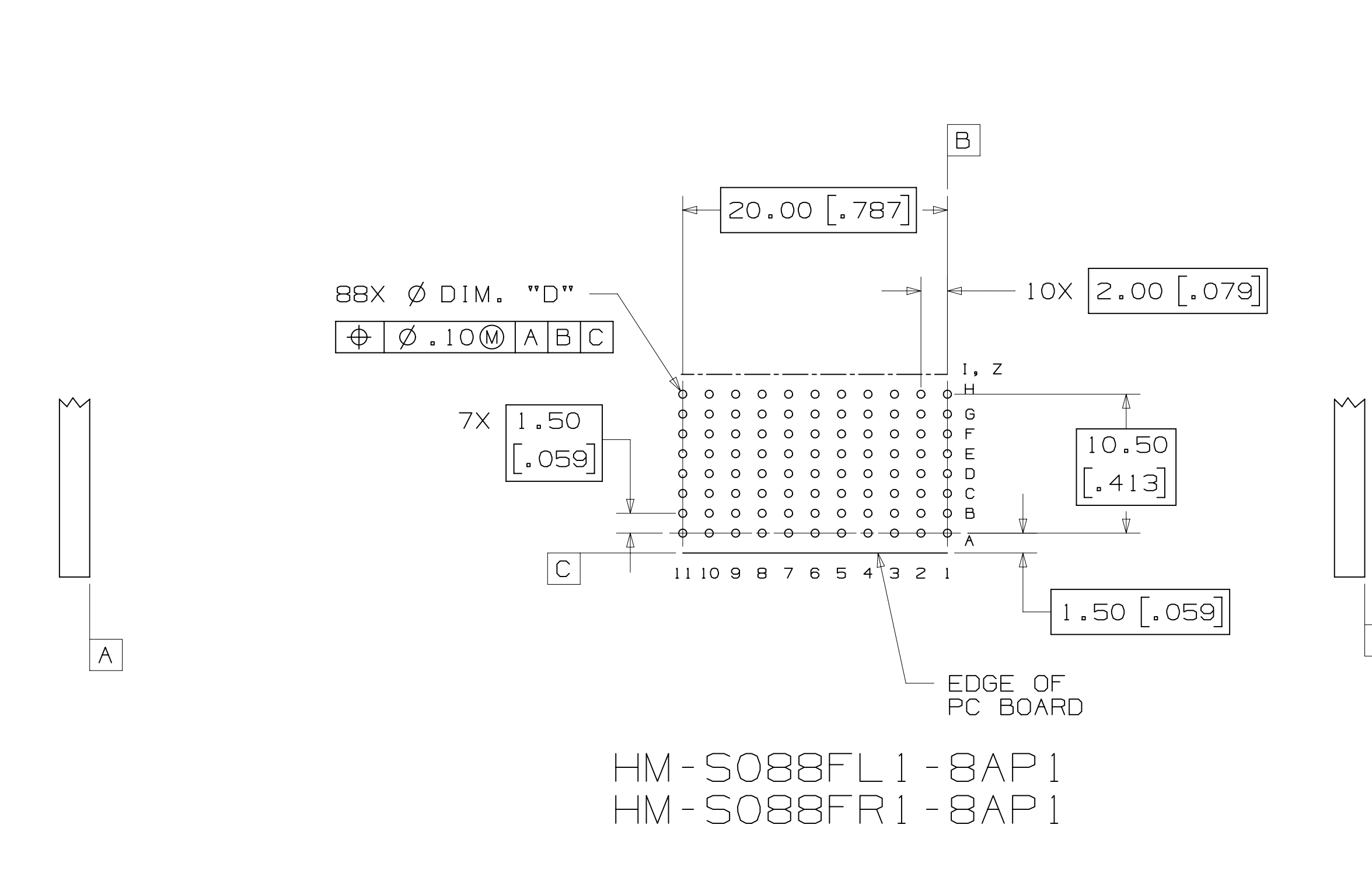
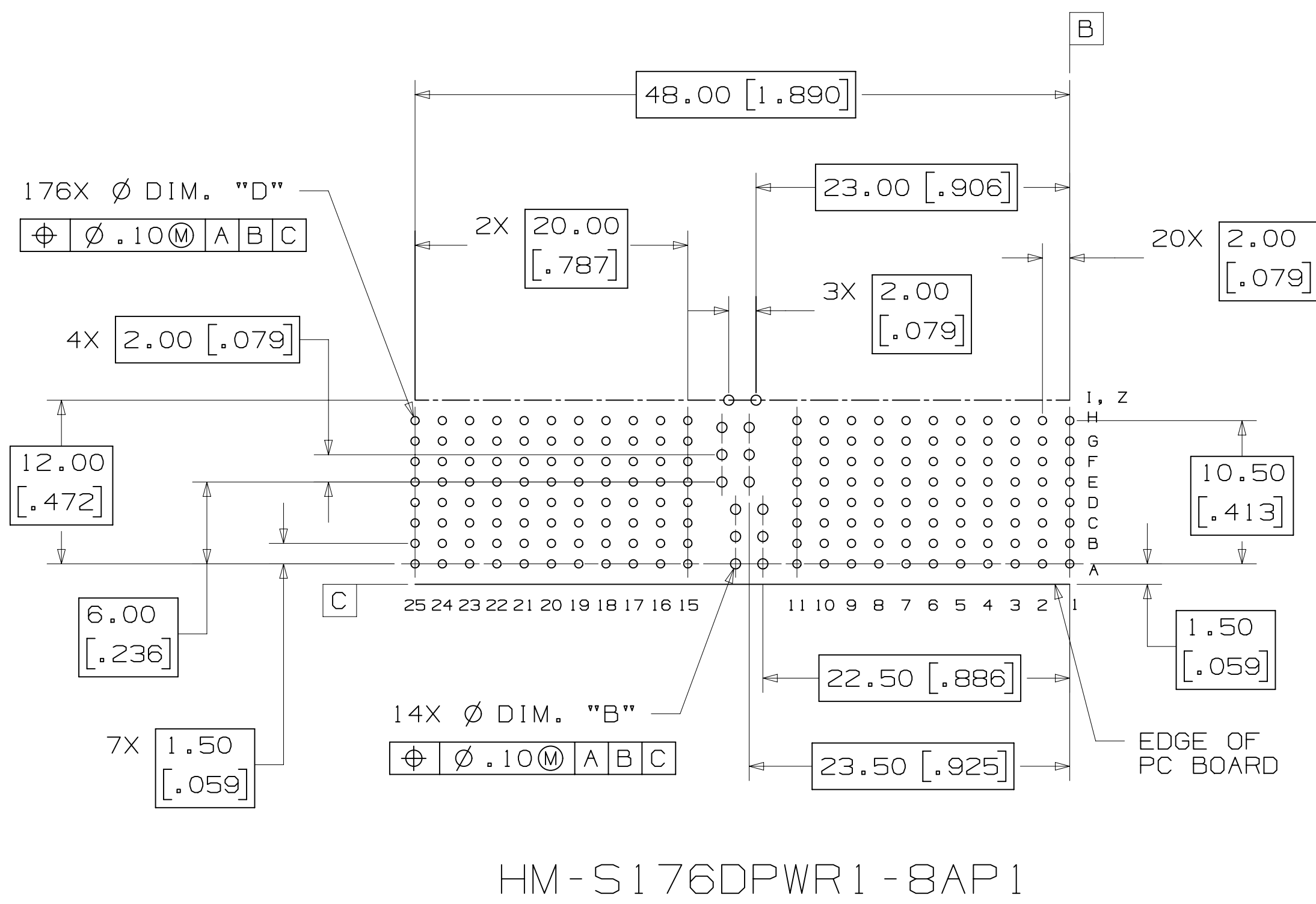
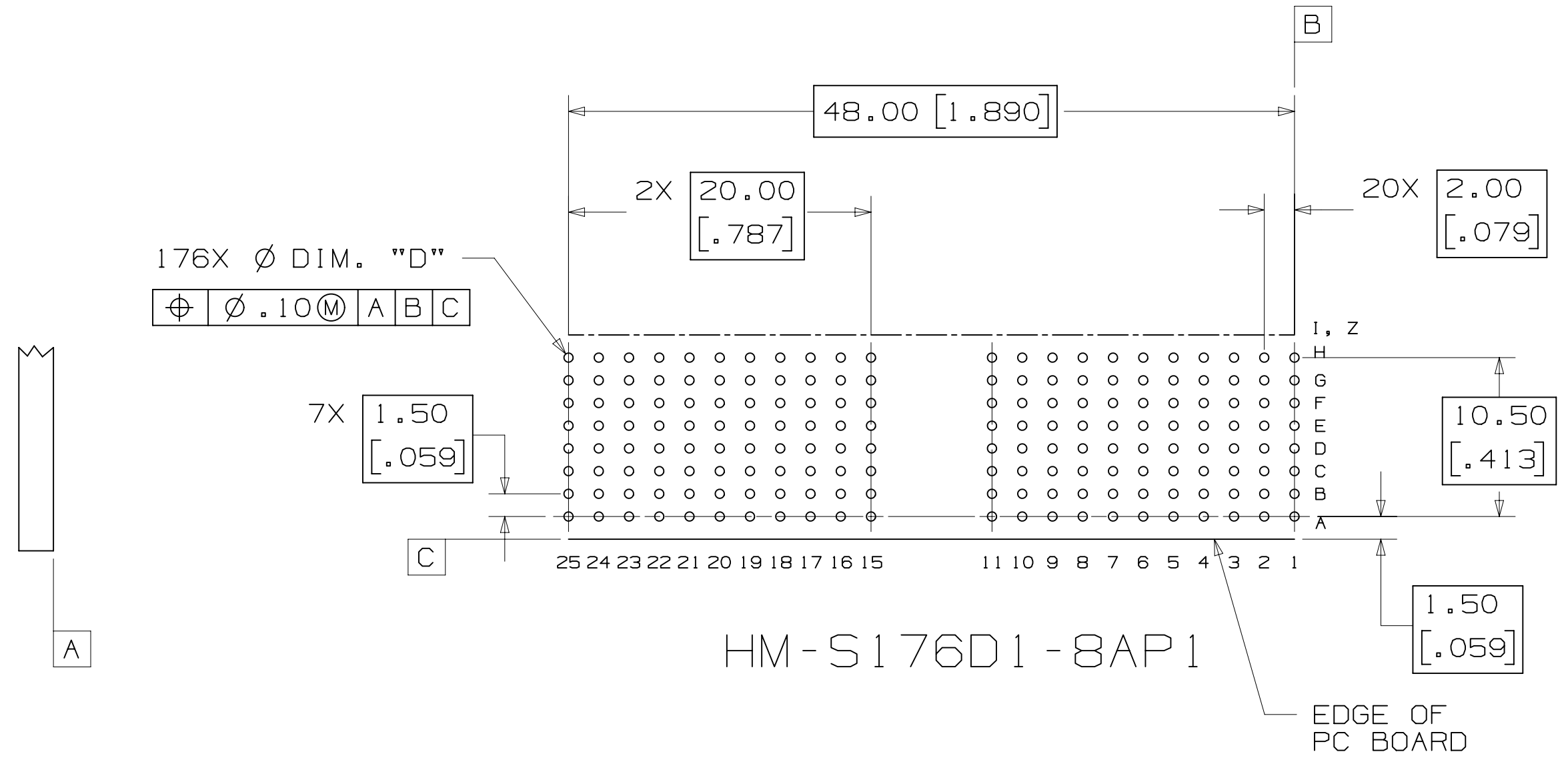
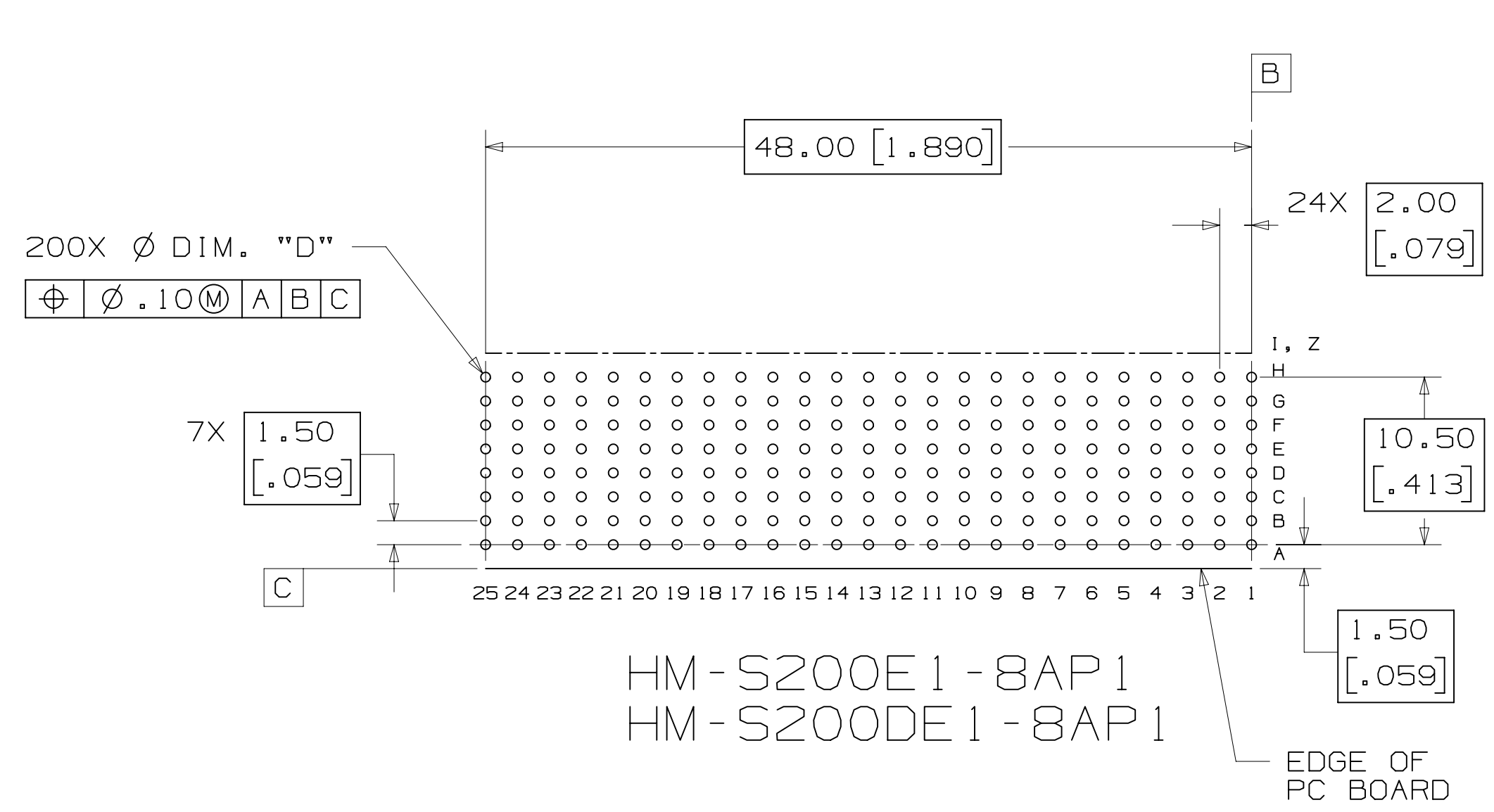


DESIGN REFERENCE	NEXT ASSEMBLY	REV	ECO	ISSUE DATE AND DESCRIPTION	DRFT	CHKD
		CASTIGLIONE	MAR 23, 2012	MFG DATE		
				T. SUNIGA	MAR 26, 2012	
DIVISION	DIVISION CODE	© 3M COPYRIGHT 2012 This document and the information it contains are 3M property and may not be reproduced or further distributed without 3M permission, or used or disclosed other than for 3M authorized purposes. All rights reserved.				
Interconnect Solutions	ISD	3M Center St. Paul, MN 55144				
DO NOT SCALE DRAWING	SCALE 3/1	TOLERANCES EXCEPT AS NOTED INCHES .0 ± .01 .000 ± .005 .0000 ±				
THIRD ANGLE PROJECTION	INTERPRET PER ASME Y14.5 - 1994	MILLIMETERS 0 ± .0 ± .3 .00 ± .13 .000 ±				
MAX SURFACE ROUGHNESS	DT SURFACES	CAGE NUMBER D78-5100-2516-2				
MARKED ONLY	ANGLES	MODEL DET YES NO SHT 3 OF 4				

B	50345	OCT 07, 2013	JNC	TS
REMOVED KR PLATING. REVISE RIA CALLOUT				
A	39778	MAR 23, 2012	JNC	TS
PRODUCTION RELEASE				
REV	ECO	ISSUE DATE AND DESCRIPTION	DRFT	CHKD

78-5100-2516-2
 DRAWING NUMBER
 B
 REVISION
 A
 10/7/2013 2:10 PM UTC-05:00
 Imaged: B.1

3M™ HM PRESS-FIT SOCKET, 8-ROW, HM SERIES
FOR HARD METRIC APPLICATIONS



RECOMMENDED PCB MOUNTING HOLE PATTERN
(VIEWED FROM COMPONENT SIDE)

HOLE PLATING TABLE				
HOLE	(FINISHED HOLE)	Cu THICKNESS	SnPb THICKNESS	DRILLED HOLE DIA.
DIM. "B"	.690-.790 [.0270-.0310]	.025-.045 [.0010-.0018]	.008-.018 [.0003-.0007]	.810-.860 [.0320-.0340]
DIM. "D"	.550-.650 [.0217-.0256]	.025-.045 [.0010-.0018]	.008-.018 [.0003-.0007]	.686-.727 [.0270-.0286]

DESIGN REFERENCE	NEXT ASSEMBLY	REV	ECO	ISSUE DATE AND DESCRIPTION	DRFT	CHKD
				MAR 23, 2012	JNC	TS
DIVISION CODES		CHKD	DATE	APPRV	DATE	
Interconnect Solutions		CASTIGLIONE	MAR 23, 2012	T. SUNIGA	MAR 26, 2012	
DO NOT SCALE DRAWING	SCALE 3/1	TOLERANCES EXCEPT AS NOTED				
THIRD ANGLE PROJECTION	INTERPRET PER ASME Y14.5 - 1994	MILLIMETERS		TITLE HM PRESS-FIT 8-ROW SOCKET CONNECTORS, HM SERIES		
MAX SURFACE ROUGHNESS	DT SURFACES	INCHES		CAGE NUMBER D78-5100-2516-2		
MARKED ONLY	ANGLES	0 ± .01 .000 ± .005 .0000 ±		MODEL DET [] YES [X] NO [] SHT 4 OF 4		

78-5100-2516-2
 DRAWING NUMBER
 B
 REVISION
 10/7/2013 2:10 PM UTC-05:00
 Imaged: B.1 10/7/2013 2:10 PM UTC-05:00