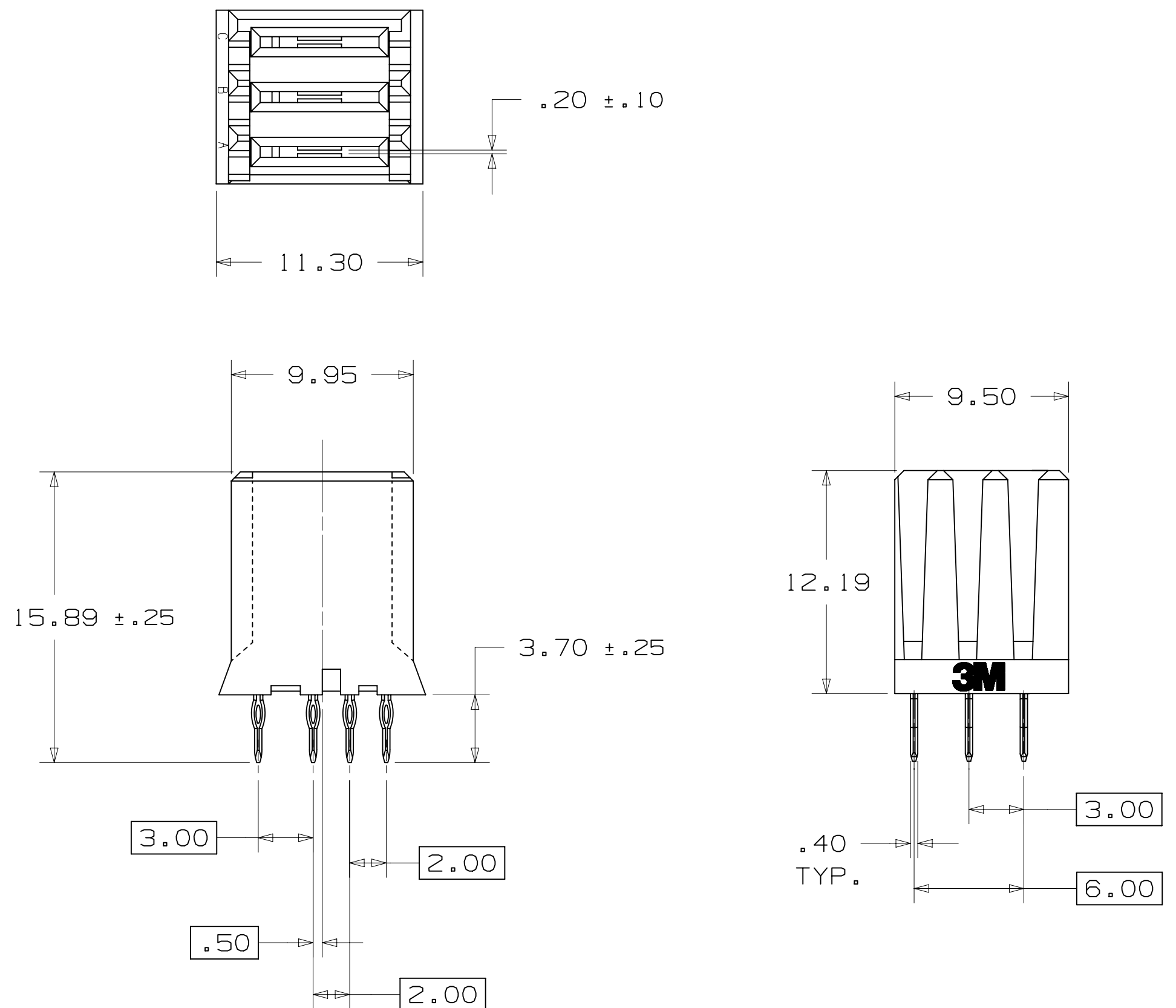
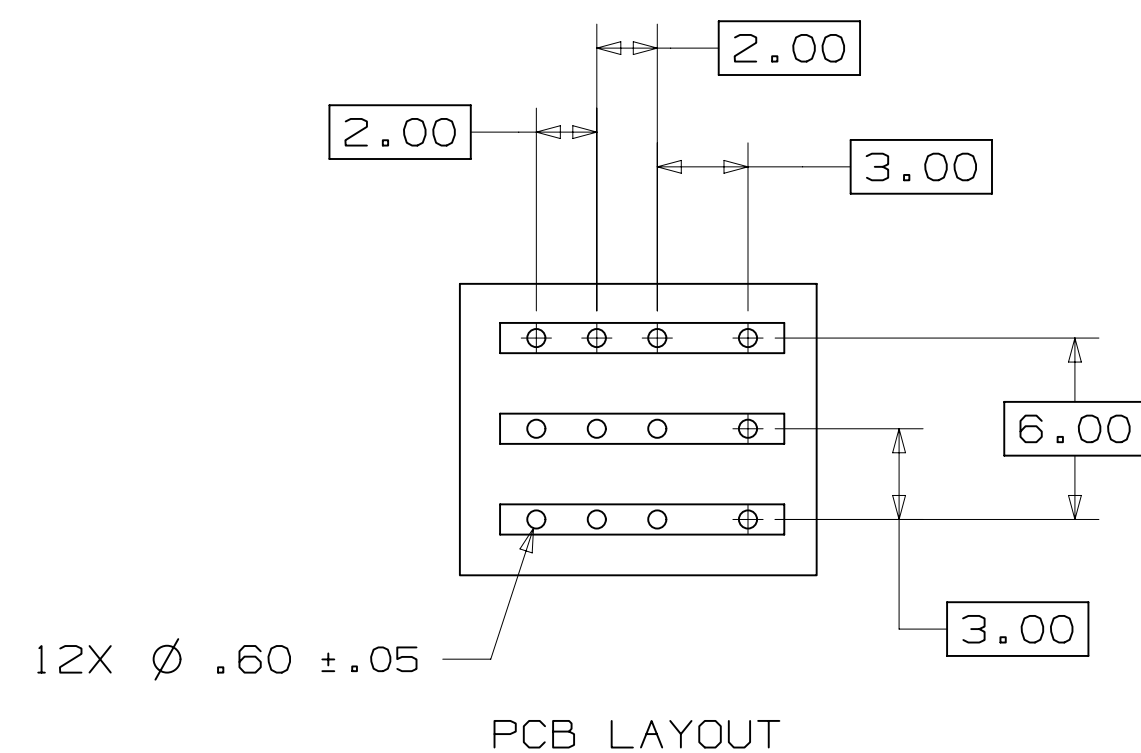


# 3M<sup>TH</sup> POWER BACKPLANE FEMALE SOCKET MODULE FOR HARD METRIC APPLICATIONS



3M<sup>TM</sup> ELECTRONIC SOLUTIONS DIVISION  
 INTERCONNECT SOLUTIONS  
<http://www.3mconnectors.com>

3M IS A TRADEMARK OF 3M COMPANY.  
 FOR TECHNICAL, SALES OR ORDERING  
 INFORMATION CALL 800-225-5373



- NOTES
- MATERIAL:  
 INSULATOR: GLASS FILLED THERMOPLASTIC (PBT) UL94V-0  
 CONTACTS: COPPER ALLOY.
  - PLATING -LR:  
 CONTACT AREA: .08µm MIN Au OVER  
 .69µm MIN PdNi  
 TAIL AREA: 2.54µm MAX MATTE Sn  
 UNDERCOAT: 1.27µm MIN Ni.
  - REGULATORY INFORMATION:  
 ROHS COMPLIANT. SEE THE REGULATORY INFORMATION APPENDIX (RIA) IN THE "ROHS COMPLIANCE" SECTION OF [WWW.3MCONNECTORS.COM](http://WWW.3MCONNECTORS.COM) FOR COMPLIANCE INFORMATION (RIA E1 & C1 APPLY)
  - ELECTRICAL PERFORMANCE:  
 TEMPERATURE RANGE: -55° C TO +125° C  
 VOLTAGE: 1000 VAC rms  
 CURRENT RATING: ALL LINES DRIVERS  
 9.0 AMPS @ 20° C  
 7.0 AMPS @ 70° C  
 4.5 AMPS @ 100° C
  - IN THE EVENT OF CONFLICT BETWEEN THIS DATA AND THAT CONTAINED IN THE PRODUCT SPECIFICATION, THE PRODUCT SPECIFICATION TAKES PRECEDENT.
  - PART NUMBER: HM-PWR-SCK-01-LR.
  - FOR MATING PRODUCT USE:  
 HM-PWR-HDR-XX-XX POWER RIGHT ANGLE HEADER CONNECTOR.
  - PCB THICKNESS: 1.40mm MINIMUM.

REV	ECO	ISSUE DATE AND DESCRIPTION	DRFT	CHKD
D	40633	MAY 11, 2012 REVISE NOTE 4 AND REDRAWN	JNC	TS
C	36370	SEP 16, 2011 REF ECO FOR REV CHANGES	ML	TS
DISTRICTION CODES	DATE	MFG	DATE	
	JAN 17, 2011		JAN 17, 2011	
DIVISION	DIVISION CODE	DATE		
Interconnect Solutions	ISD	JAN 17, 2011		
DO NOT SCALE DRAWING	SCALE	DATE		
		JAN 17, 2011		
THIRD ANGLE PROJECTION	TOLERANCES EXCEPT AS NOTED	DATE		
		JAN 17, 2011		
INTERPRET PER ASME Y14.5 - 1994	INCHES	DATE		
		JAN 17, 2011		
MAX SURFACE ROUGHNESS	MILLIMETERS	DATE		
		JAN 17, 2011		
ALL SURFACES	ANGLES	DATE		
		JAN 17, 2011		
MARKED ONLY		DATE		
		JAN 17, 2011		

DESIGN REFERENCE NEXT ASSEMBLY

3M Center St. Paul, MN 55144

© 3M COPYRIGHT 2012  
 This document and the information it contains are 3M property and may not be reproduced or further distributed without 3M permission, or used or disclosed other than for 3M authorized purposes. All rights reserved.

TITLE  
 HM-PWR-SCK-01-XX,  
 POWER BACKPLANE  
 FEMALE SOCKET MODULE

CAGE NUMBER SIZE DRAWING NO. REV.  
 78-5100-2382-9 D

MODEL DET. LISTS  YES  NO SHT 1 OF 1

78-5100-2382-9  
 DRAWING NUMBER  
 REVISION