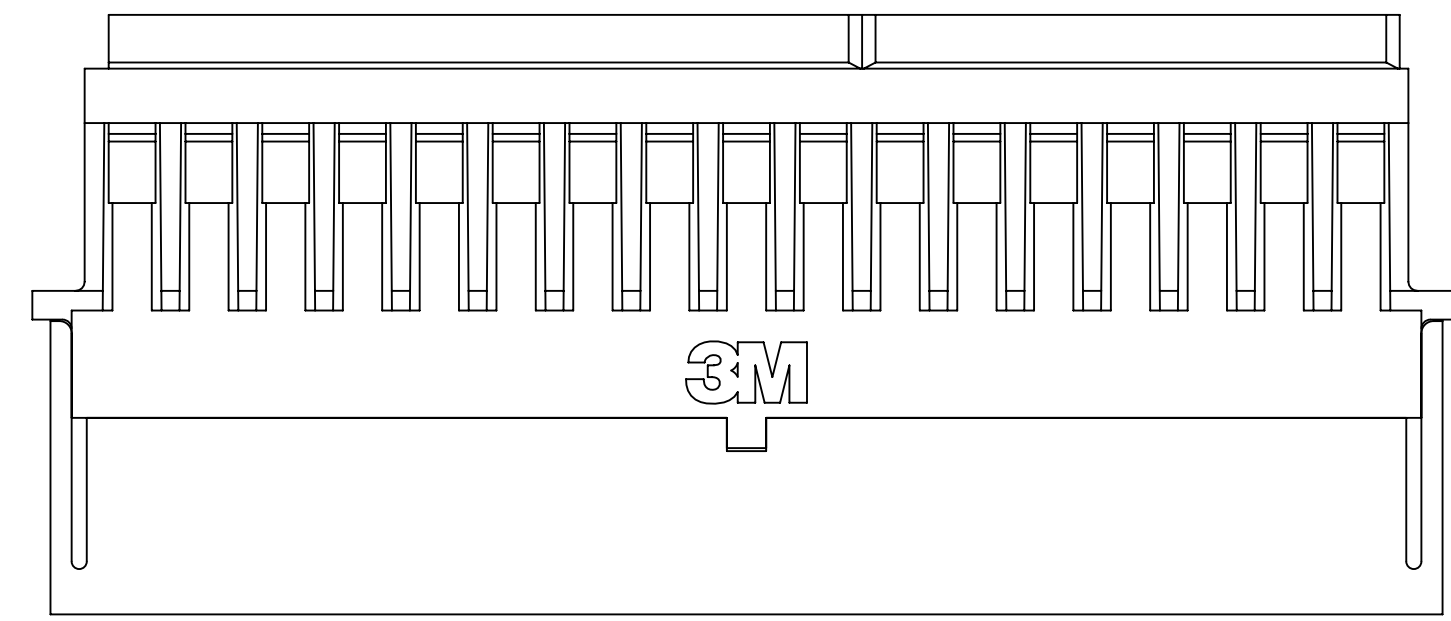
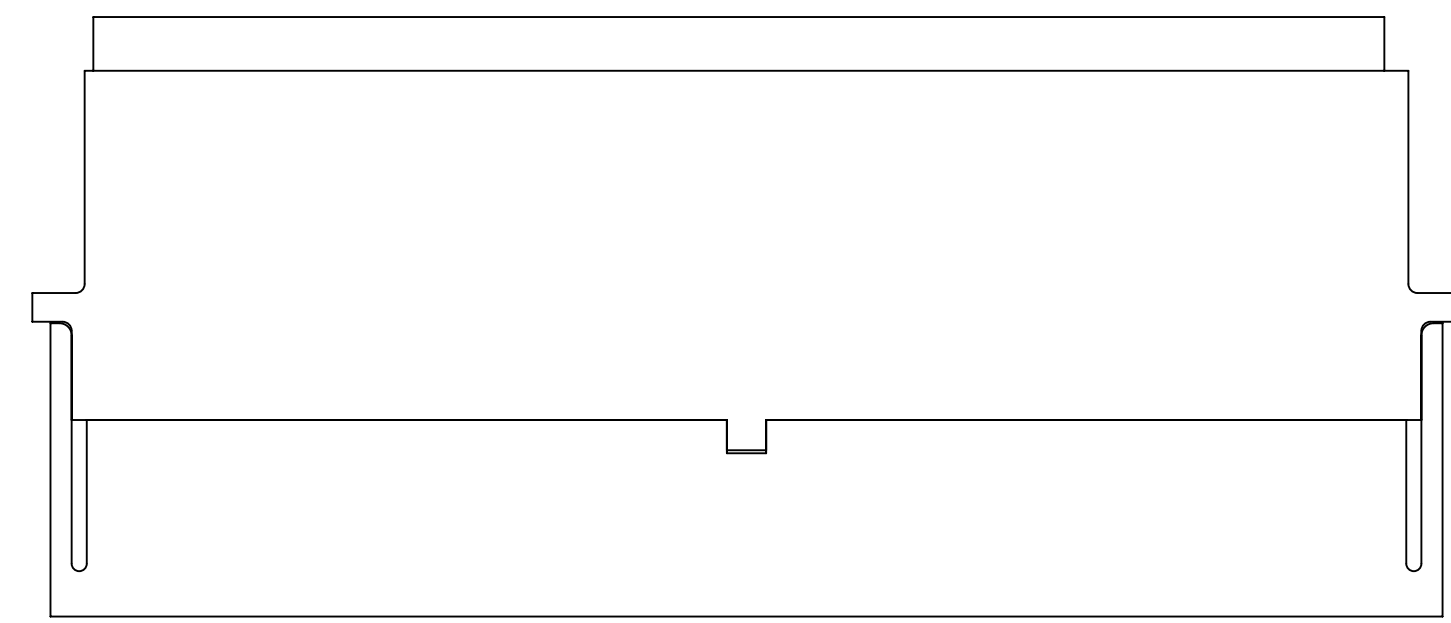
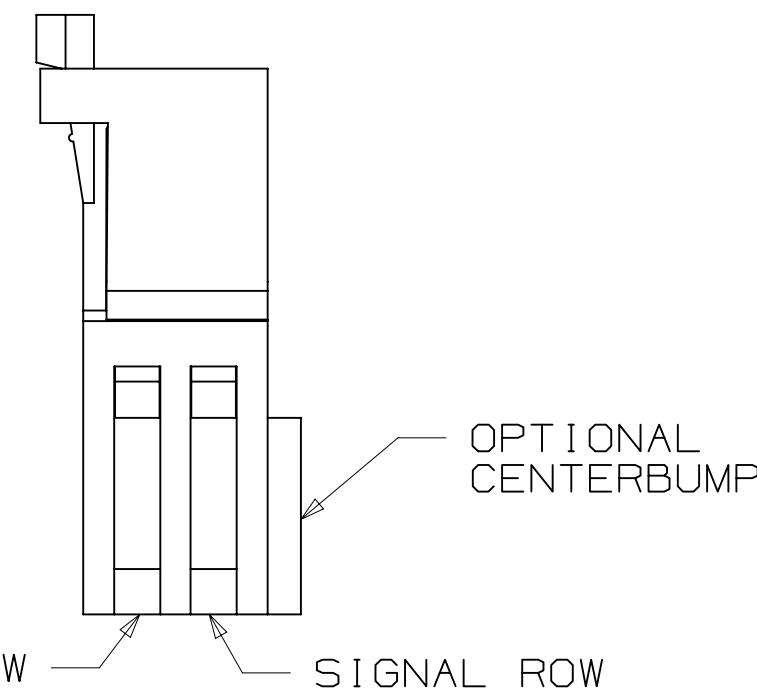


3M™ SHIELDED CONTROLLED IMPEDANCE (SCI)

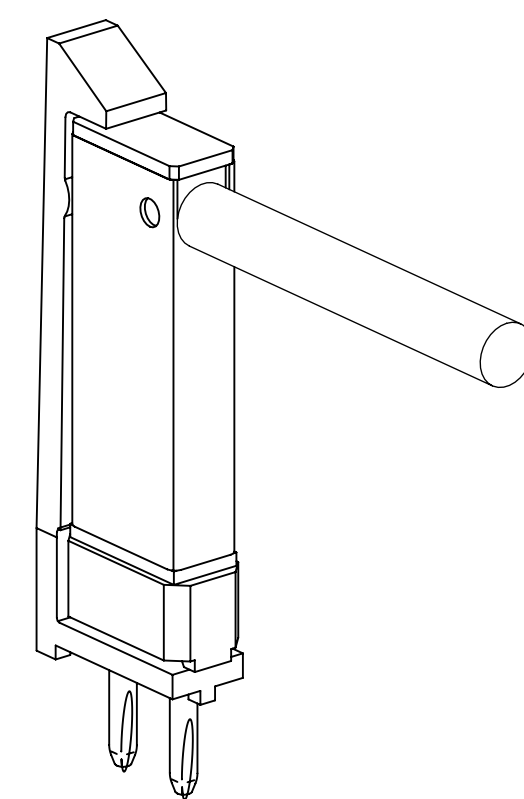
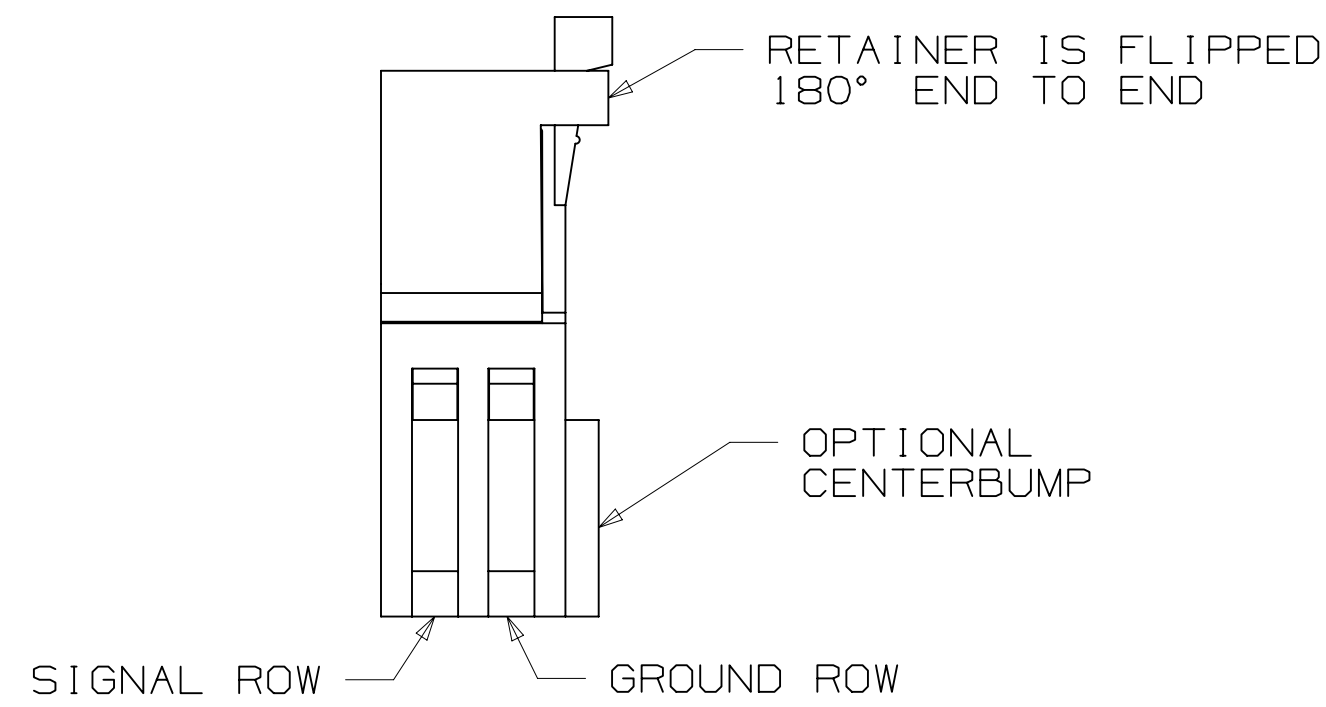
.100" ASSEMBLY HARDWARE



98XX-PSMO
NORMAL "MO" RETENTION STYLE



98XX-PSMR
REVERSE "MR" RETENTION STYLE



NOTE:
1) PIN STRIP LATCH IS FOR USE WITH
.100 SCI, RIGHT ANGLE CONNECTOR
TYPE 22 ONLY.
(SEE TECH SHEET TS-0803)

2 ROW CARRIER HOUSING

- * CARRIERS AVAILABLE IN 3M .100" X .100" (2.54MM X 2.54MM) SOCKET.
- * COMPATIBLE WITH ALL 3M .100" X .100" (2.54MM X 2.54MM) HEADERS.
- * AVAILABLE IN SHORT OR LONG LATCH STYLES. CHECK STYLE FOR MATCH.

3 X 7 CARRIER HOUSING

- * INTEGRAL LOCKING FEATURE.
- * INCLUDES TWO RETENTION CLIPS.

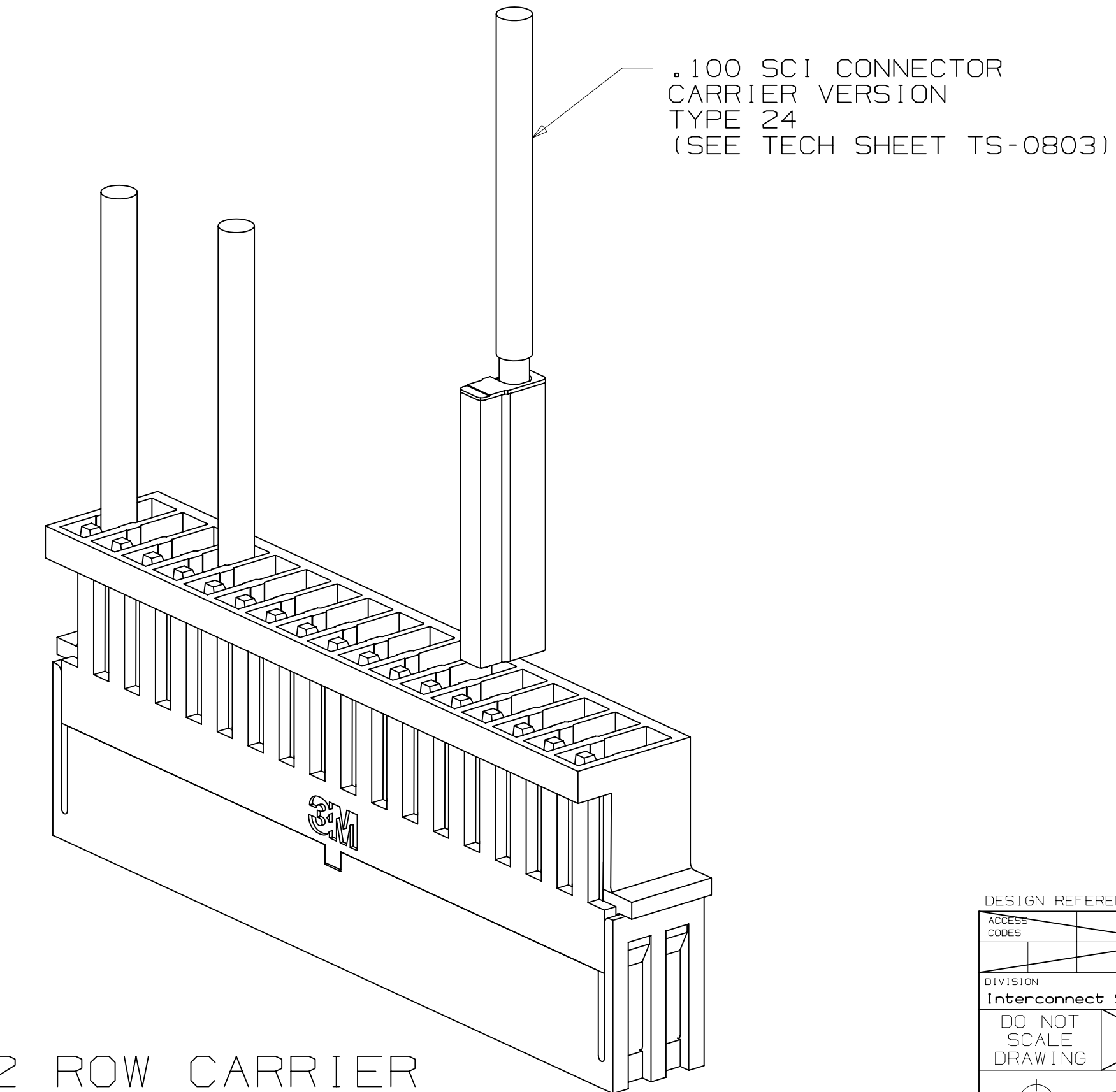
PIN STRIP LATCH

- * AVAILABLE FOR THE RIGHT ANGLE SCI CONNECTOR.
- * RoHS COMPLIANT

2 PHYSICAL :

INSULATION MATERIAL:

- 2 ROW CARRIER: POLYCARBONATE
- 3 X 7 CARRIER: GLASS REINFORCED POLYESTER
- COLOR: BLACK
- FLAMMABILITY: UL 94V-0
- MARKINGS: 3M LOGO
- CONTACTS: COPPER ALLOY



NOTES

1. REGULATORY INFORMATION:
VISIT 3M.com/regs
2. IN THE EVENT OF CONFLICT BETWEEN THIS DATA AND THAT CONTAINED IN THE PRODUCT SPECIFICATION, THE PRODUCT SPECIFICATION TAKES PRECEDENT.

3M ELECTRONICS MATERIALS SOLUTIONS DIVISION
INTERCONNECT SOLUTIONS
<http://www.3M.com/interconnect>

3M IS A TRADEMARK OF 3M COMPANY.
FOR TECHNICAL, SALES OR ORDERING
INFORMATION CALL 800-225-5373

DESIGN REFERENCE	NEXT ASSEMBLY	REV	ECO	ISSUE DATE AND DESCRIPTION	DRFT	CHKD
		C	92908	SEP 24, 2020 REVISE ORDERING INFO SHT 2	JNC	FJR
		B	44714	JAN 03, 2013 REVISED AND REDRAWN	JNC	RS
		DRFT	CASTIGLIONE	DATE JAN 03, 2013	MFG	DATE
		CHKD	R. SCHERER	DATE JAN 03, 2013		

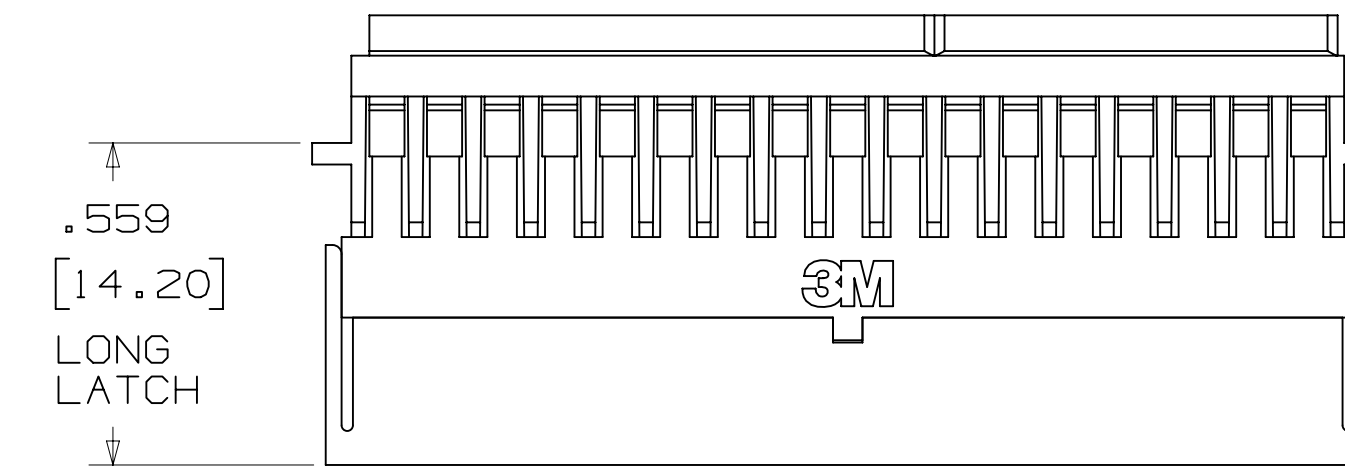
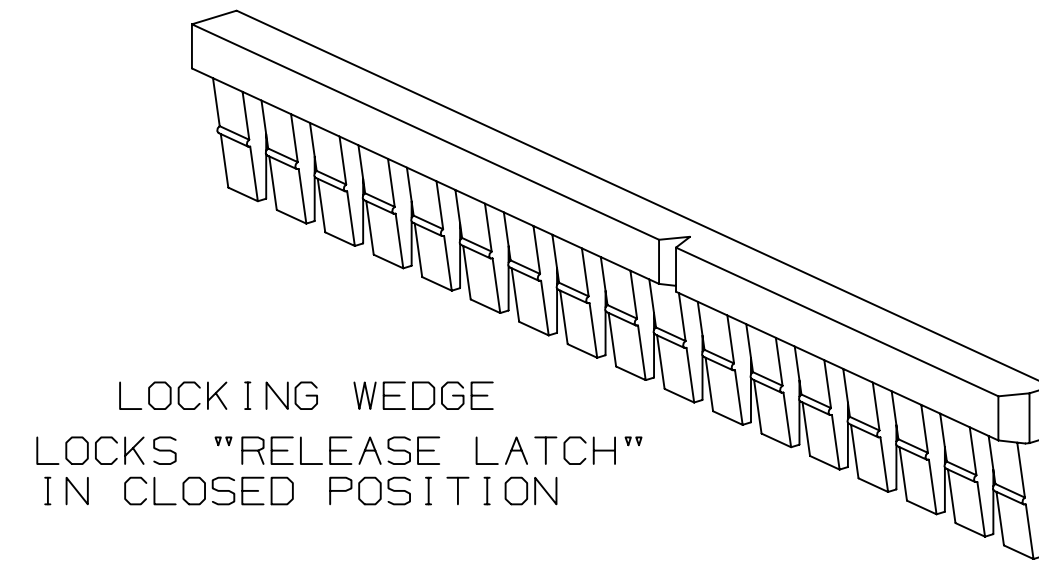
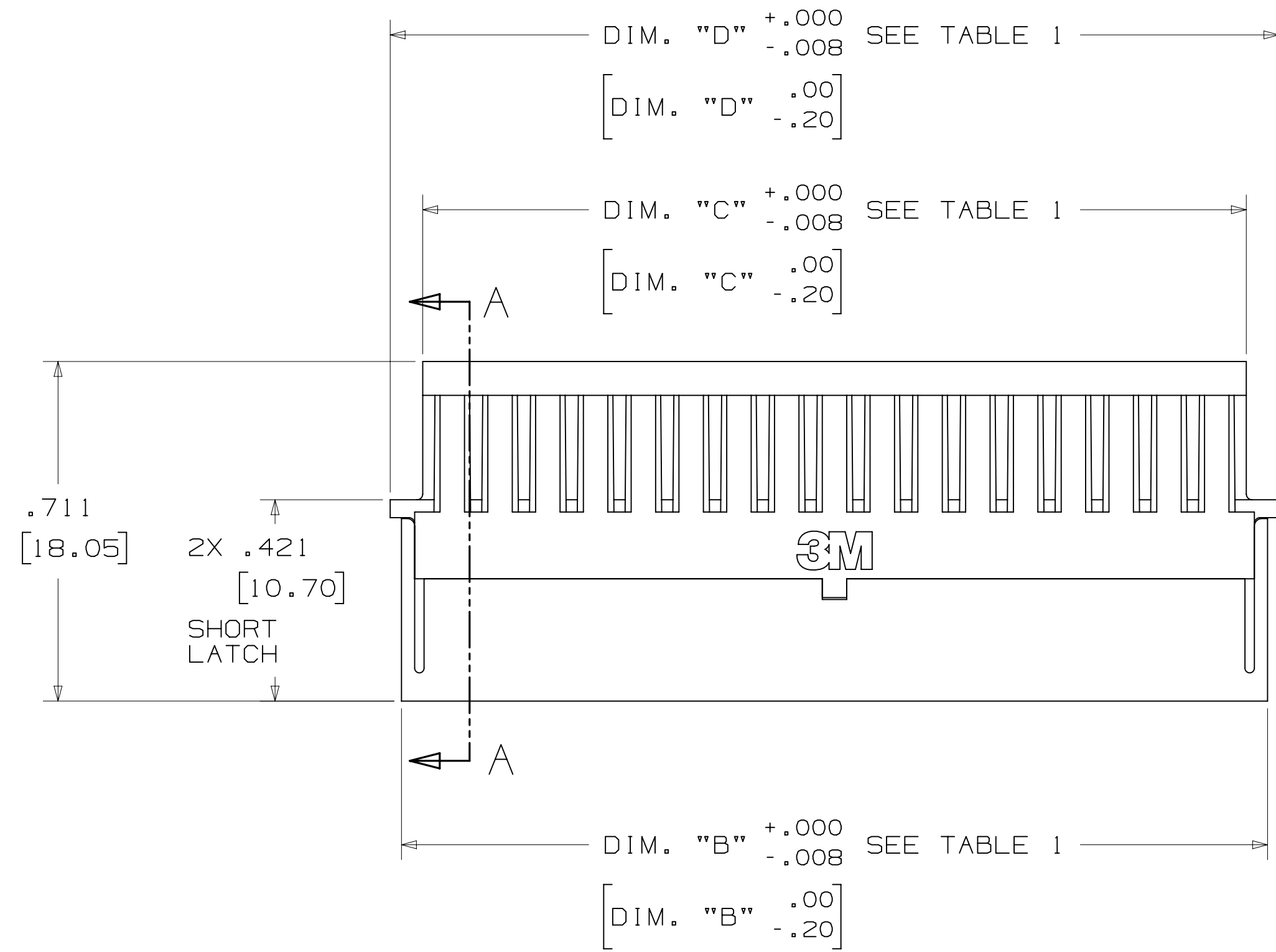
DIVISION	Interconnect Solutions	DIVISION CODE	ISD
DO NOT SCALE DRAWING	SCALE	TOLERANCES EXCEPT AS NOTED	
THIRD ANGLE PROJECTION		INCHES	
INTERPRET PER ASME Y14.5 - 2018		.00 ± .01	
MAX SURFACE ROUGHNESS		.000 ± .005	
MARKED ONLY		.0000 ± .0002	
		MILLIMETERS	
		0 ± 2	
		.0 ± .3	
		.00 ± .13	
		.000 ± .005	

TITLE	3M™ SHIELDED CONTROLLED IMPEDANCE (SCI) .100" ASSEMBLY HARDWARE		
CAGE NUMBER	SIZE	DRAWING NO.	REV.
D		78-5100-0802-8	C
MODEL	DET	YES	NO
		SHT 1	OF 4

78-5100-0802-8
DRAWING NUMBER
UTC
Drr-set (hrs) 6
Time 9/24/2020

3M™ SHIELDED CONTROLLED IMPEDANCE (SCI)

.100" ASSEMBLY HARDWARE



LONG LATCH CARRIER

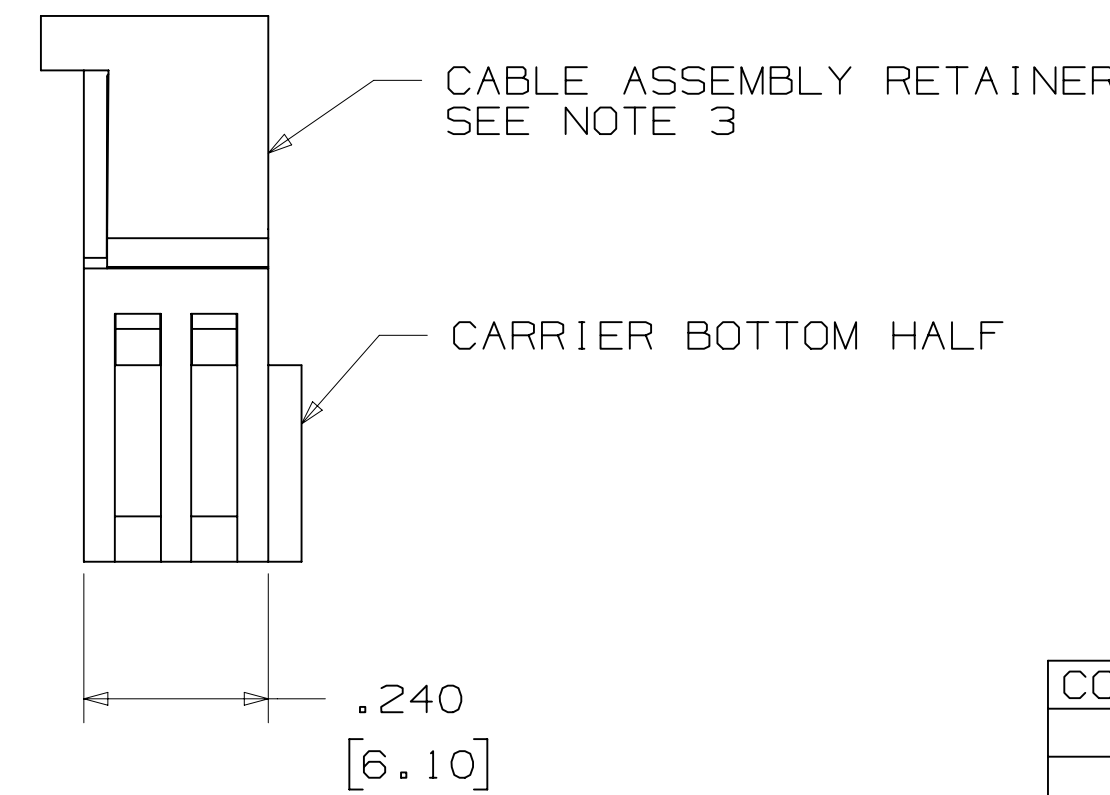
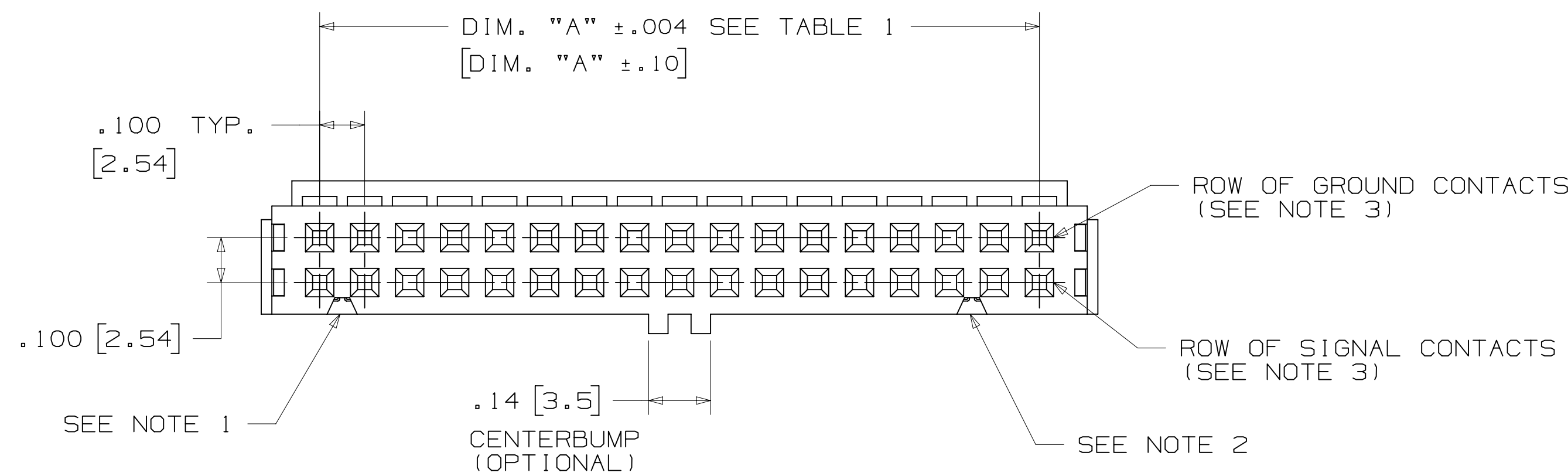


TABLE 1: CARRIER POSITIONS

CONTACT QTY.	DIM. "A"	DIM. "B"	DIM. "C"	DIM. "D"
06	.20 [5.08]	.41 [10.48]	.32 [8.22]	.46 [11.68]
08	.30 [7.62]	.51 [13.02]	.42 [10.76]	.56 [14.22]
* 10	.40 [10.16]	.61 [15.56]	.52 [13.30]	.66 [16.76]
12	.50 [12.70]	.71 [18.10]	.62 [15.84]	.76 [19.30]
* 14	.60 [15.24]	.81 [20.64]	.72 [18.38]	.86 [21.84]
* 16	.70 [17.78]	.91 [23.18]	.82 [20.92]	.96 [24.38]
* 20	.90 [22.86]	1.11 [28.26]	1.02 [26.00]	1.16 [29.46]
* 26	1.20 [30.48]	1.41 [35.88]	1.32 [33.62]	1.46 [37.08]
30	1.40 [35.56]	1.61 [40.96]	1.52 [38.70]	1.66 [42.16]
* 34	1.60 [40.64]	1.81 [46.04]	1.72 [43.78]	1.86 [47.24]
* 40	1.90 [48.26]	2.11 [53.66]	2.02 [51.40]	2.16 [54.86]
* 50	2.40 [60.96]	2.61 [66.36]	2.52 [64.10]	2.66 [67.56]
60	2.90 [73.66]	3.11 [79.06]	3.02 [76.80]	3.16 [80.26]
* 64	3.10 [78.74]	3.31 [84.14]	3.22 [81.88]	3.36 [85.34]

* TOOLED POSITIONS: CONTACT 3M SALES FOR ADDITIONAL POSITIONS



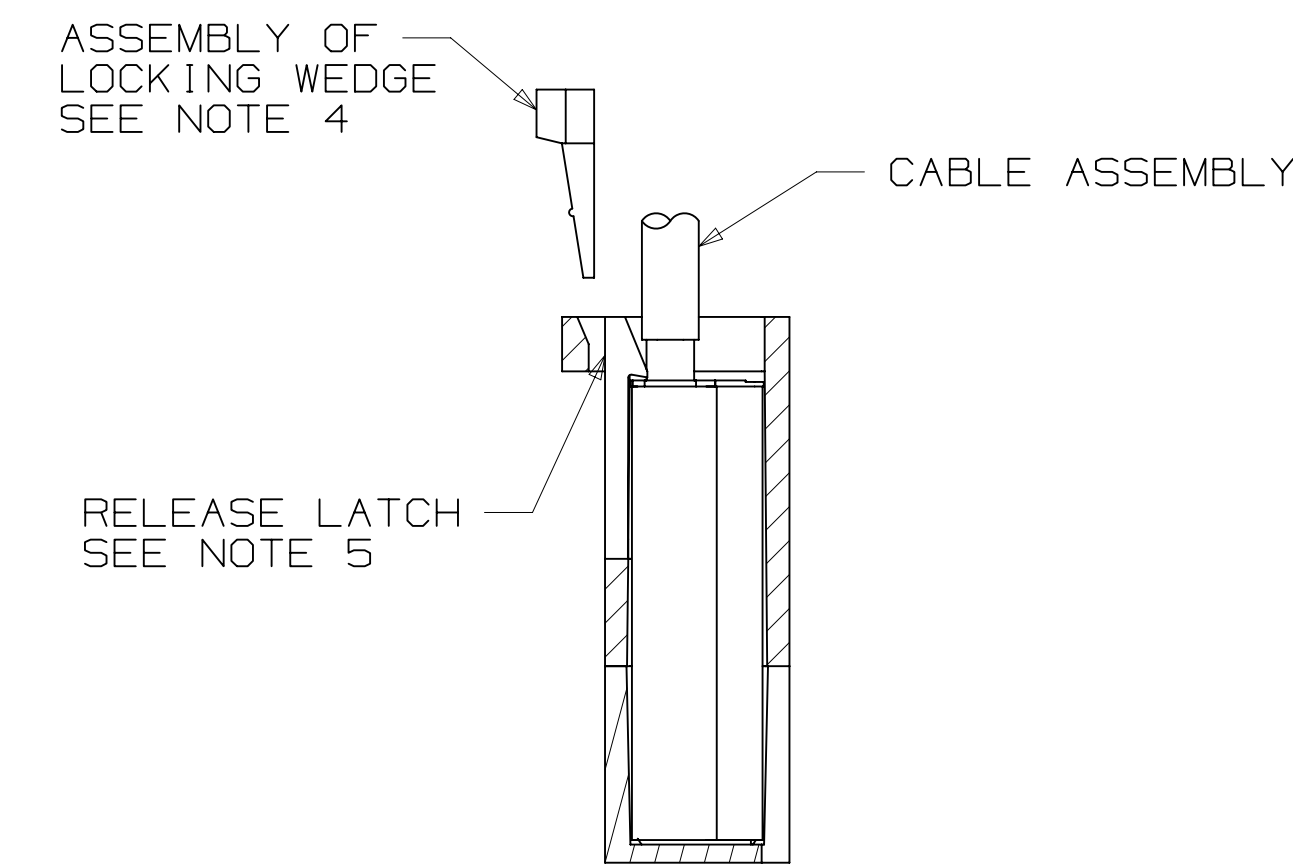
ORDERING INFORMATION 2 ROW CARRIER HOUSING

98XX - XXXX

CONTACT QTY. SEE TABLE 1

MOLDED RETENTION FEATURE:
MO = NORMAL
MR = REVERSE

CARRIER STYLE:
PS = CENTERBUMP, SHORT LATCHES
NS = NO CENTERBUMP, SHORT LATCHES
PL = CENTERBUMP, LONG LATCHES
NL = NO CENTERBUMP, LONG LATCHES



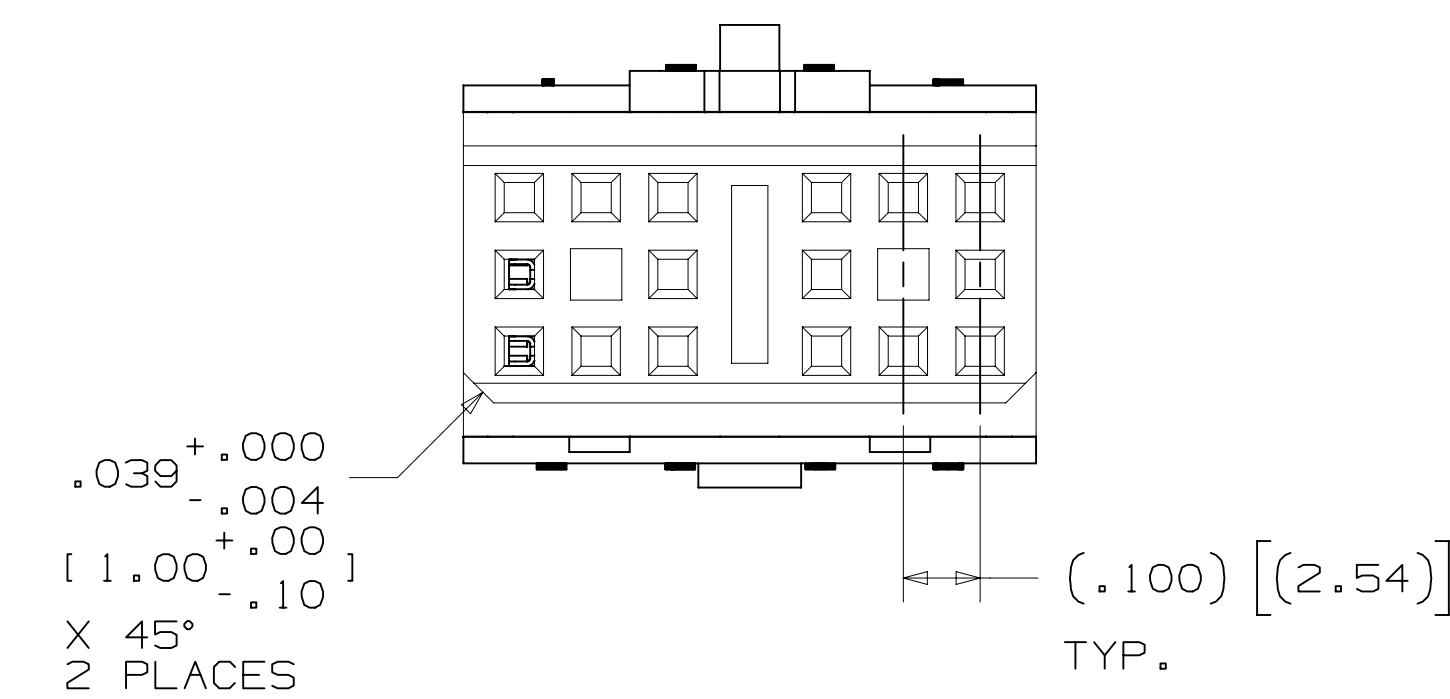
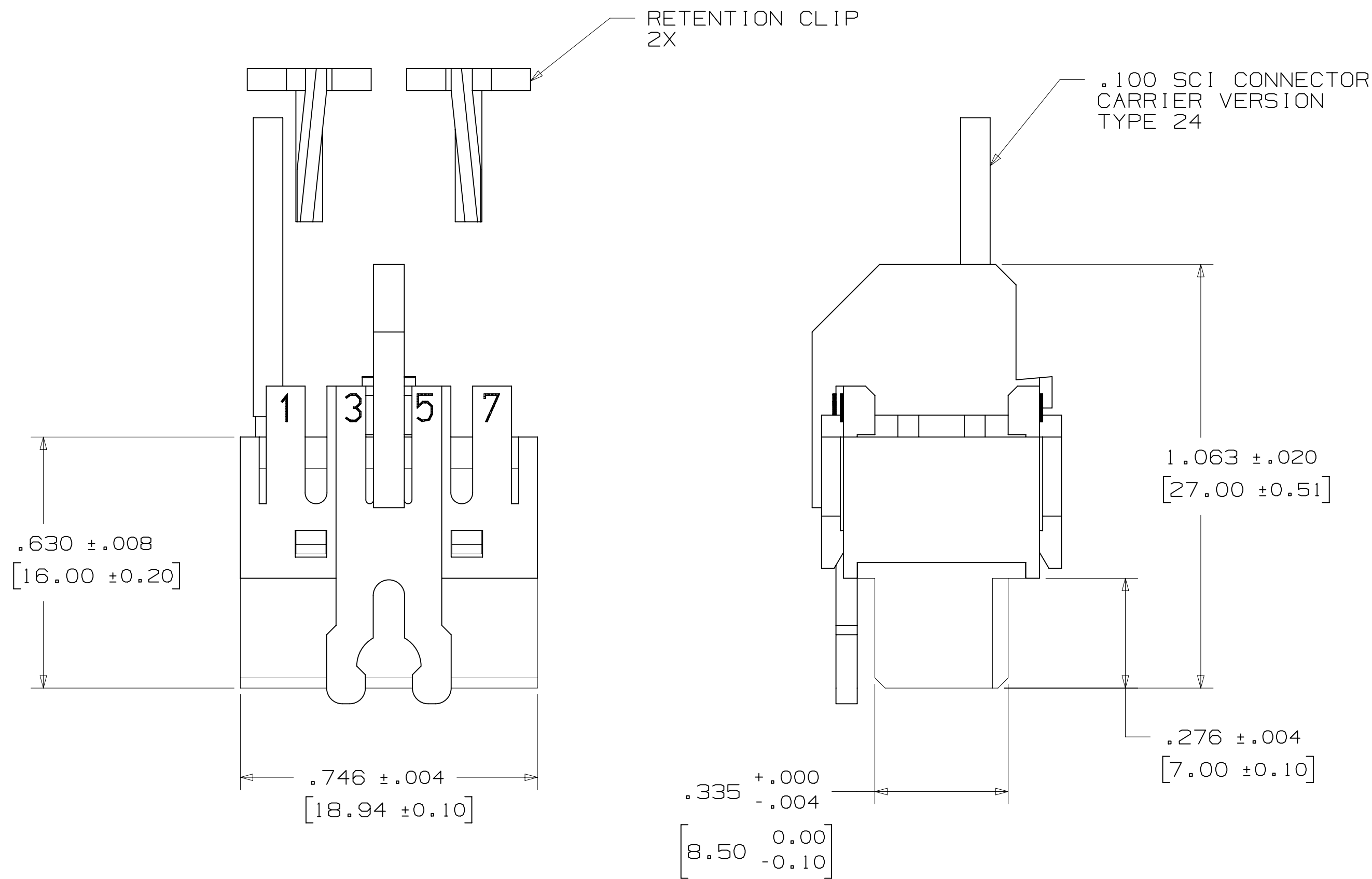
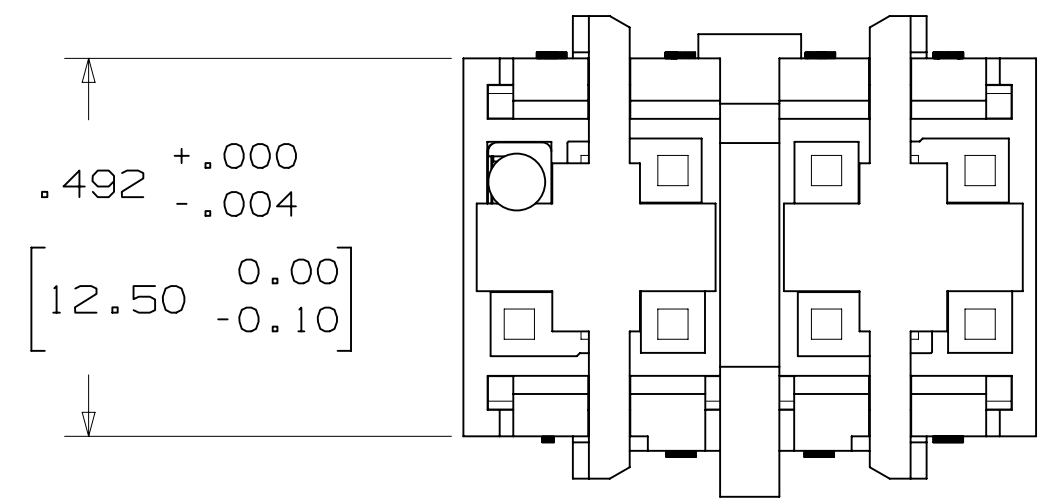
SECTION A - A

- NOTES
- 1 POLARIZING GROOVE OMITTED FOR POSITIONS 6 AND 8.
 - 2 POLARIZING GROOVE OMITTED FOR POSITIONS 6, 8, 10, 12 AND 14.
 - 3 THE NORMAL "MO" RETENTION STYLE IS ILLUSTRATED. FOR THE REVERSE "MR" RETENTION STYLE THE CABLE ASSEMBLY RETAINER IS FLIPPED 180° END TO END AND THE "SIGNAL" AND "GROUND" ROWS OF CONTACTS ARE ALSO REVERSED.
 - 4 OPTIONAL LOCKING WEDGE PREVENTS SCI REMOVAL. 25 POSITION (CUT TO LENGTH)
 - 5 RELEASE LATCH CAN BE MOVED WITH FINGERNAIL TO ALLOW REPLACEMENT OF SCI CABLE LINE.

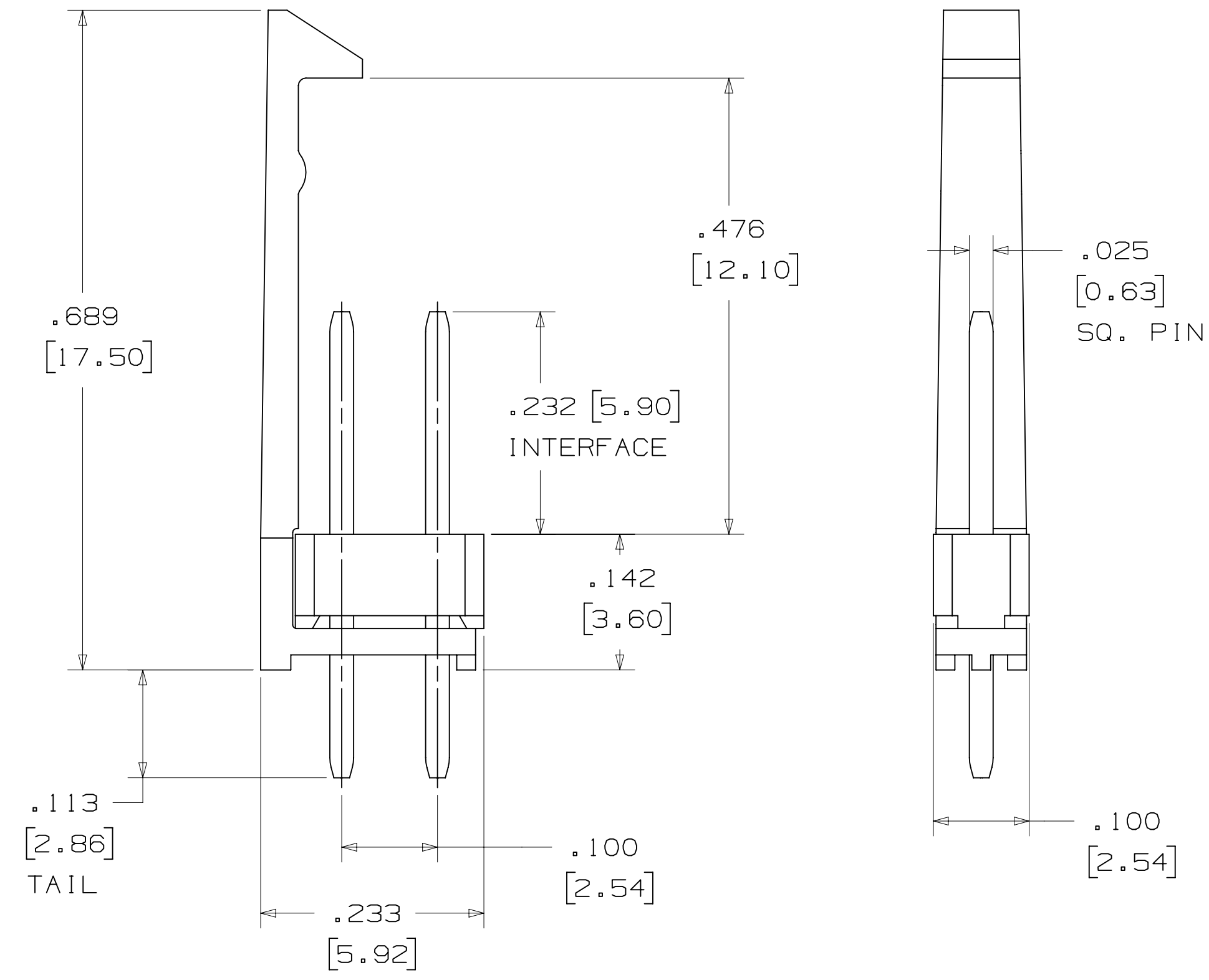
DESIGN REFERENCE	NEXT ASSEMBLY	REV	ECO	ISSUE DATE AND DESCRIPTION	DRFT	CHKD
				JAN 03, 2013		
DIVISION		DIVISION CODE		DATE		
Interconnect Solutions		ISD		JAN 03, 2013		
DO NOT SCALE DRAWING		TOLERANCES EXCEPT AS NOTED		DATE		
		INCHES		DATE		
		.00 ±.01		JAN 03, 2013		
		.000 ±.005		JAN 03, 2013		
		.0000 ±.0002		JAN 03, 2013		
THIRD ANGLE PROJECTION		MILLIMETERS		DATE		
INTERPRET PER ASME Y14.5 - 2018		0 ±2		DATE		
		.0 ±.3		DATE		
		.00 ±.13		DATE		
		.000 ±.005		DATE		
MAX SURFACE ROUGHNESS		ANGLES		DATE		
D SURFACES				DATE		
MARKED ONLY				DATE		

C	92908	SEP 24, 2020	JNC	FJR		
B	44714	JAN 03, 2013	JNC	RS		
REV	ECO	ISSUE DATE AND DESCRIPTION	DRFT	CHKD		
		JAN 03, 2013				
DIVISION		DIVISION CODE		DATE		
Interconnect Solutions		ISD		JAN 03, 2013		
DO NOT SCALE DRAWING		TOLERANCES EXCEPT AS NOTED		DATE		
		INCHES		DATE		
		.00 ±.01		JAN 03, 2013		
		.000 ±.005		JAN 03, 2013		
		.0000 ±.0002		JAN 03, 2013		
THIRD ANGLE PROJECTION		MILLIMETERS		DATE		
INTERPRET PER ASME Y14.5 - 2018		0 ±2		DATE		
		.0 ±.3		DATE		
		.00 ±.13		DATE		
		.000 ±.005		DATE		
MAX SURFACE ROUGHNESS		ANGLES		DATE		
D SURFACES				DATE		
MARKED ONLY				DATE		

3M™ SHIELDED CONTROLLED IMPEDANCE (SCI)
 .100" ASSEMBLY HARDWARE



ORDERING INFORMATION
 3 X 7 CARRIER HOUSING
 9821-5000



ORDERING INFORMATION
 PIN STRIP WITH LATCH
 2402-3505 RC

DESIGN REFERENCE	NEXT ASSEMBLY	REV	ECO	ISSUE DATE AND DESCRIPTION	DRFT	CHKD
				SEP 24, 2020 REVISE ORDERING INFO SHT 2	JNC	FJR
				JAN 03, 2013 REVISED AND REDRAWN	JNC	RS
DRW	DATE	DRW	DATE	DATE	DATE	DATE
CASTIGLIONE	JAN 03, 2013	CASTIGLIONE	JAN 03, 2013	CASTIGLIONE	JAN 03, 2013	CASTIGLIONE
				R. SCHERER	JAN 03, 2013	
DIVISION	DIVISION CODE	© 3M COPYRIGHT 2020 This document and the information it contains are 3M property and may not be reproduced or further distributed without 3M permission, or used or disclosed other than for 3M authorized purposes. All rights reserved.				
Interconnect Solutions	ISD	3M Center St. Paul, MN 55144				
DO NOT SCALE DRAWING	TOLERANCES EXCEPT AS NOTED	TITLE 3M™ SHIELDED CONTROLLED IMPEDANCE (SCI) .100" ASSEMBLY HARDWARE				
THIRD ANGLE PROJECTION	INCHES	CAGE NUMBER D 78-5100-0802-8 C				
INTERPRET PER ASME Y14.5 - 2018	MILLIMETERS	MODEL DET [] YES [X] NO SHT 3 OF 4				
MAX SURFACE ROUGHNESS	MARKED ONLY					

78-5100-0802-8
 DRAWING NUMBER
 6
 Drr-set (hrs)
 6
 UTC
 9/24/2020
 Time
 Standard
 Central
 Imaged:

3M™ SHIELDED CONTROLLED IMPEDANCE (SCI)

.100" ASSEMBLY HARDWARE

Regulatory: For regulatory information about this product, visit 3M.com/regs or contact your 3M representative.


Technical Information: The technical information, recommendations and other statements contained in this document are based upon tests or experience that 3M believes are reliable, but the accuracy or completeness of such information is not guaranteed.

Product Use: Many factors beyond 3M's control and uniquely within user's control can affect the use and performance of a 3M product in a particular application. Given the variety of factors that can affect the use and performance of a 3M product, user is solely responsible for evaluating the 3M product and determining whether it is fit for a particular purpose and suitable for user's method of application.

Warranty, Limited Remedy, and Disclaimer: Unless an additional warranty is specifically stated on the applicable 3M product packaging or product literature, 3M warrants that each 3M product meets the applicable 3M product specification at the time 3M ships the product. 3M MAKES NO OTHER WARRANTIES OR CONDITIONS, EXPRESS OR IMPLIED, INCLUDING, BUT NOT LIMITED TO, ANY IMPLIED WARRANTY OR CONDITION OF MERCHANTABILITY OR FITNESS FOR A PARTICULAR PURPOSE OR ANY IMPLIED WARRANTY OR CONDITION ARISING OUT OF A COURSE OF DEALING, CUSTOM OR USAGE OR TRADE. If the 3M product does not conform to this warranty, then the sole and exclusive remedy is, at 3M's option, replacement of the 3M product or refund of the purchase price.

Limitation of Liability: Except where prohibited by law, 3M will not be liable for any loss or damage arising from the 3M product, whether direct, indirect, special, incidental or consequential, regardless of the legal theory asserted, including warranty, contract, negligence or strict liability.

3M Company
 Electronics Materials Solutions Division
 13011 McCallen Pass, Bldg. C
 Austin, TX 78753-5380
 1-800-225-5373
www.3M.com/interconnect

DESIGN REFERENCE	NEXT ASSEMBLY	REV	ECO	ISSUE DATE AND DESCRIPTION	DRFT	CHKD
OFF	DATE	MFG	DATE			
C	92908	SEP 24, 2020	JNC	FJR		
B	44714	JAN 03, 2013	JNC	RS		
OFF		DATE	DATE			
CASTIGLIONE		JAN 03, 2013				
CHKD		DATE	DATE			
			APPRV	DATE		
			R. SCHERER	JAN 03, 2013		
DIVISION	DIVISION CODE	 © 3M COPYRIGHT 2020 This document and the information it contains are 3M property and may not be reproduced or further distributed without 3M permission, or used or disclosed other than for 3M authorized purposes. All rights reserved.				
Interconnect Solutions	ISD	TITLE 3M™ SHIELDED CONTROLLED IMPEDANCE (SCI) .100" ASSEMBLY HARDWARE				
DO NOT SCALE DRAWING	TOLERANCES EXCEPT AS NOTED	INCHES .0 ± .1 .00 ± .01 .000 ± .005 .0000 ± .0002				
THIRD ANGLE PROJECTION	MILLIMETERS	0 ± 2 .0 ± .3 .00 ± .13 .000 ± .005				
INTERPRET PER ASME Y14.5 - 2018	MAX SURFACE ROUGHNESS	CAGE NUMBER D 78-5100-0802-8				
<input checked="" type="checkbox"/> UNMARKED SURFACES <input type="checkbox"/> MARKED ONLY	<input type="checkbox"/> ANGLES	MODEL DET <input type="checkbox"/> YES <input checked="" type="checkbox"/> NO SHT 4 OF 4				

78-5100-0802-8
 DRAWING NUMBER
 9/24/2020
 Time
 9/24/2020
 -- UTC
 Dfn.set
 (hrs) 6
 Central Standard
 Imaged: