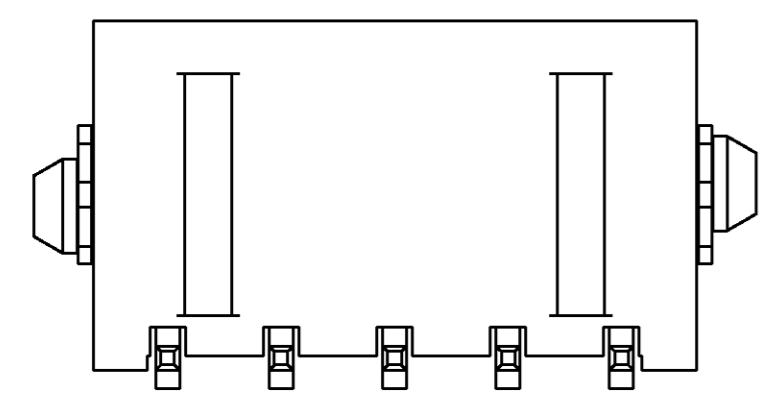
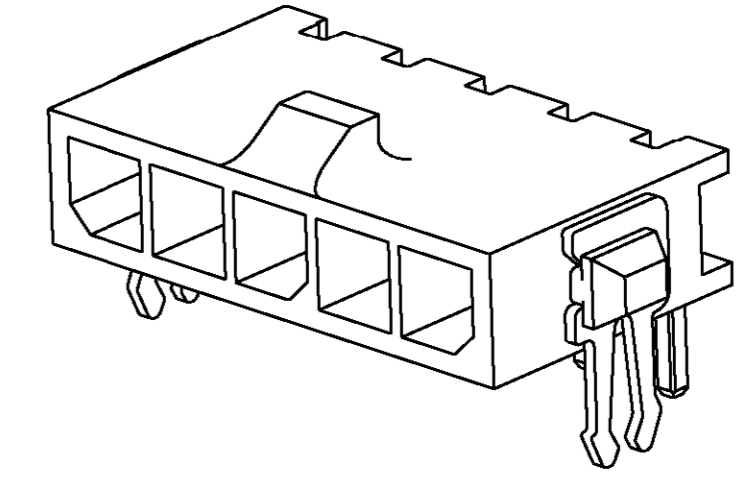
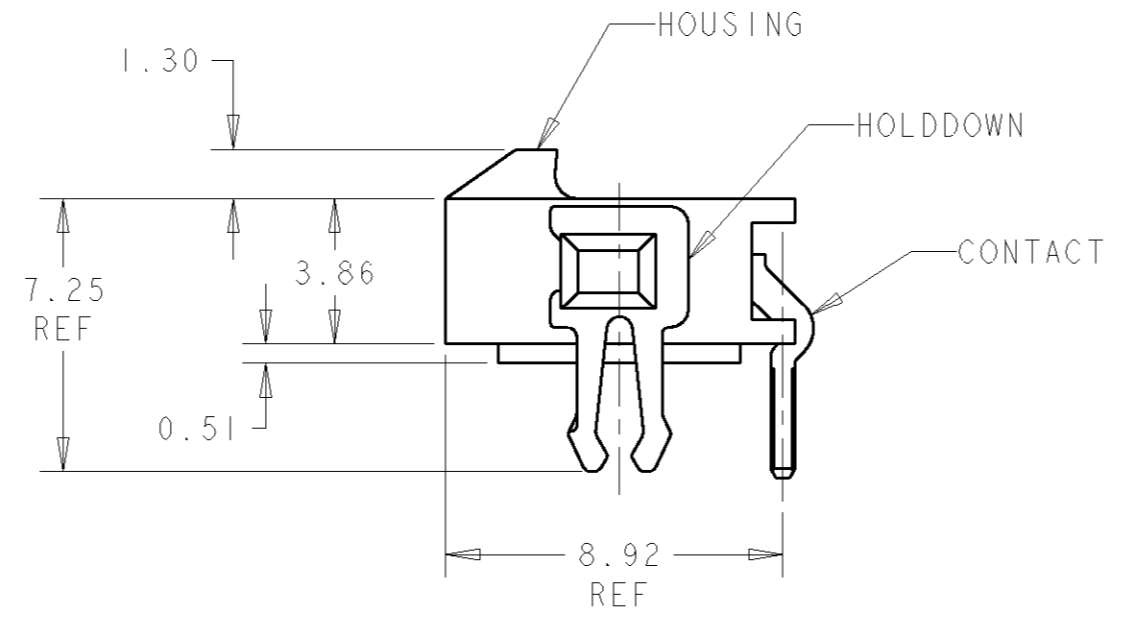
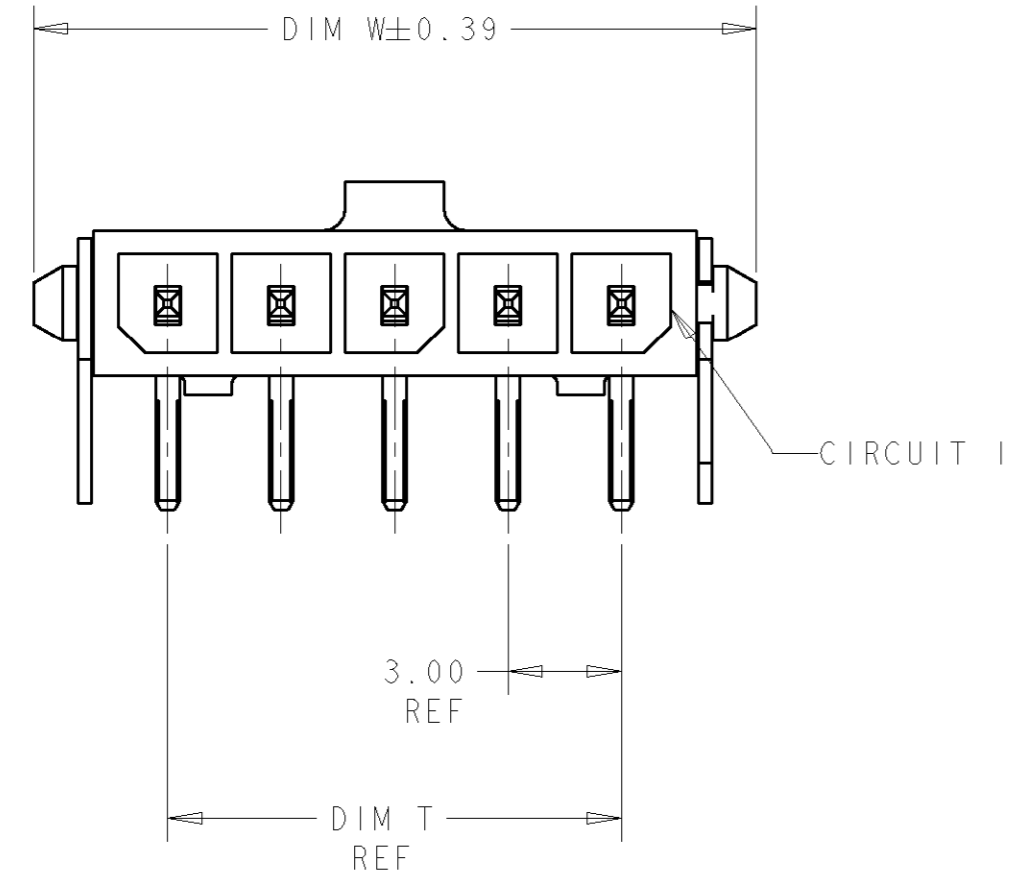
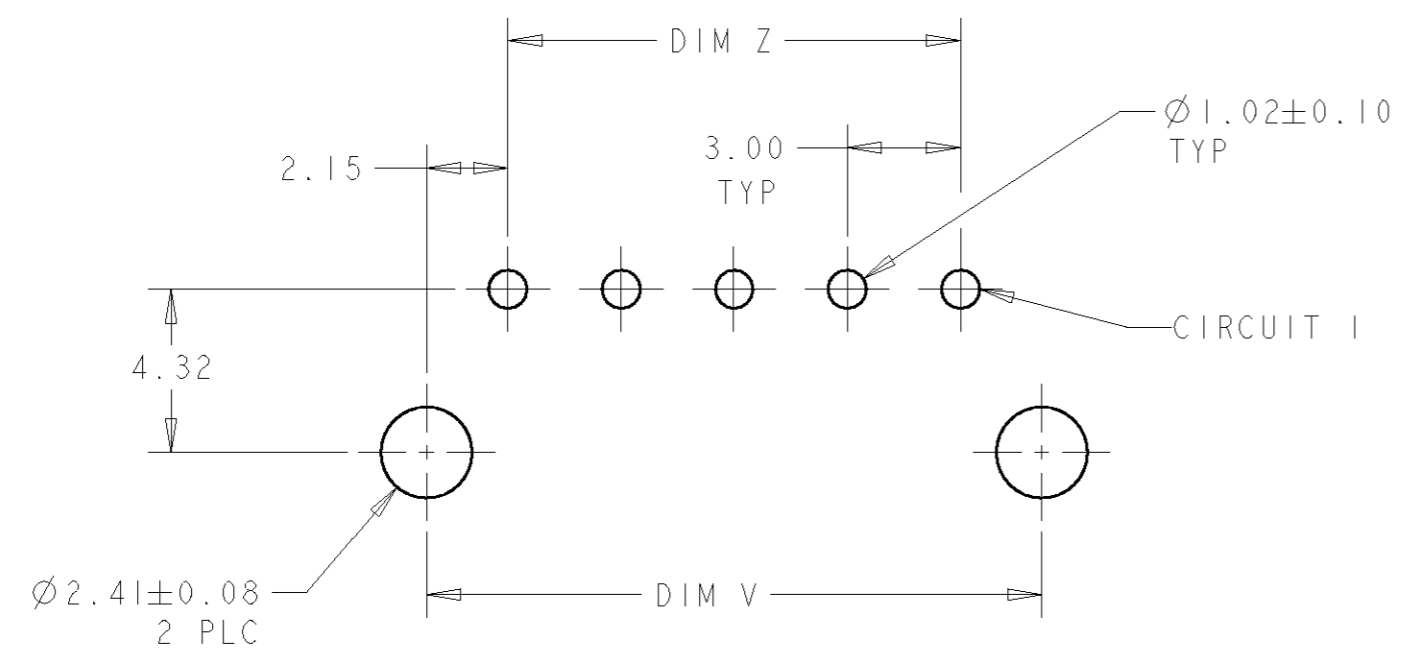


THIS DRAWING IS UNPUBLISHED. RELEASED FOR PUBLICATION .19
 © COPYRIGHT 19 BY AMP INCORPORATED. ALL RIGHTS RESERVED.

| LOC | DIST | REVISIONS | | | | | |
|-----|------|-----------|-----|---------------------------|-----------|-----|------|
| CM | 00 | P | LTR | DESCRIPTION | DATE | DWN | APVD |
| | | 0 | | RELEASED PER 0G3B-0330-01 | 15-AUG-01 | KW | CJ |



- 1 MATERIAL: CONTACTS - BRASS
HOUSING - UL 94V-0 RATED HIGH TEMP NYLON, COLOR BLACK.
HOLDDOWNS: - PHOSPHOR BRONZE.
- 2 PLATING: CONTACTS - 2.54µm MINIMUM TIN-LEAD OVER 1.27µm MINIMUM NICKEL.
HOLDDOWNS: 2.54µm MINIMUM TIN-LEAD OVER 1.27µm MINIMUM NICKEL.
- 4 RECOMMENDED PC BOARD THICKNESS OF 1.57.



PCB LAYOUT COMPONENT SIDE 4

| 33.00 | 37.43 | 33.00 | 40.14 | 12 | 1-1445054-2 |
|-------|-------|-------|-------|-------------|-------------|
| 30.00 | 34.43 | 30.00 | 37.14 | 11 | 1-1445054-1 |
| 27.00 | 31.43 | 27.00 | 34.14 | 10 | 1-1445054-0 |
| 24.00 | 28.43 | 24.00 | 31.14 | 9 | 1445054-9 |
| 21.00 | 25.43 | 21.00 | 28.14 | 8 | 1445054-8 |
| 18.00 | 22.43 | 18.00 | 25.14 | 7 | 1445054-7 |
| 15.00 | 19.43 | 15.00 | 22.14 | 6 | 1445054-6 |
| 12.00 | 16.43 | 12.00 | 19.14 | 5 | 1445054-5 |
| 9.00 | 13.43 | 9.00 | 16.14 | 4 | 1445054-4 |
| 6.00 | 10.43 | 6.00 | 13.14 | 3 | 1445054-3 |
| 3.00 | 7.43 | 3.00 | 10.14 | 2 | 1445054-2 |
| DIM Z | DIM V | DIM T | DIM W | NO. OF POSN | PART NUMBER |

| | | | |
|-------------------------------------------------------------------------------------------------------------------------------------------------------------------------------|--|---------------------------------|--------------------------------------------------------------------------------------------------------------------|
| THIS DRAWING IS A CONTROLLED DOCUMENT FOR AMP INCORPORATED. IT IS SUBJECT TO CHANGE AND THE CONTROLLING ENGINEERING ORGANIZATION SHOULD BE CONTACTED FOR THE LATEST REVISION. | | DWN J.ROOT 06OCT2000 | AMP Tyco Electronics Harrisburg, PA 17105-3608 |
| DIMENSIONS: mm | | CHK K. WHITAKER 13-MAR-2001 | |
| TOLERANCES UNLESS OTHERWISE SPECIFIED: 0 PLC ± 1 PLC ± 2 PLC ±0.13 3 PLC ± 4 PLC ± | | APVD K. WHITAKER 13-MAR-2001 | NAME RIGHT ANGLE THRU HOLE HEADER ASSY, TIN CONTACTS W/THRU HOLE HOLDDOWNS, SINGLE ROW, MICRO MATE-N-LOK™ |
| MATERIAL - 1 | | FINISH - 2 | SIZE A2 |
| | | PRODUCT SPEC - | CAGE CODE 00779 |
| | | APPLICATION SPEC - | DRAWING NO 1445054 |
| | | WEIGHT - | SCALE 5:1 SHEET 1 OF 1 REV 0 |
| | | CUSTOMER DRAWING | |

