



Part No: GA0576

Date: 9/22/2006

Unit: mm

Description: speaker

Page No: 1 of 2

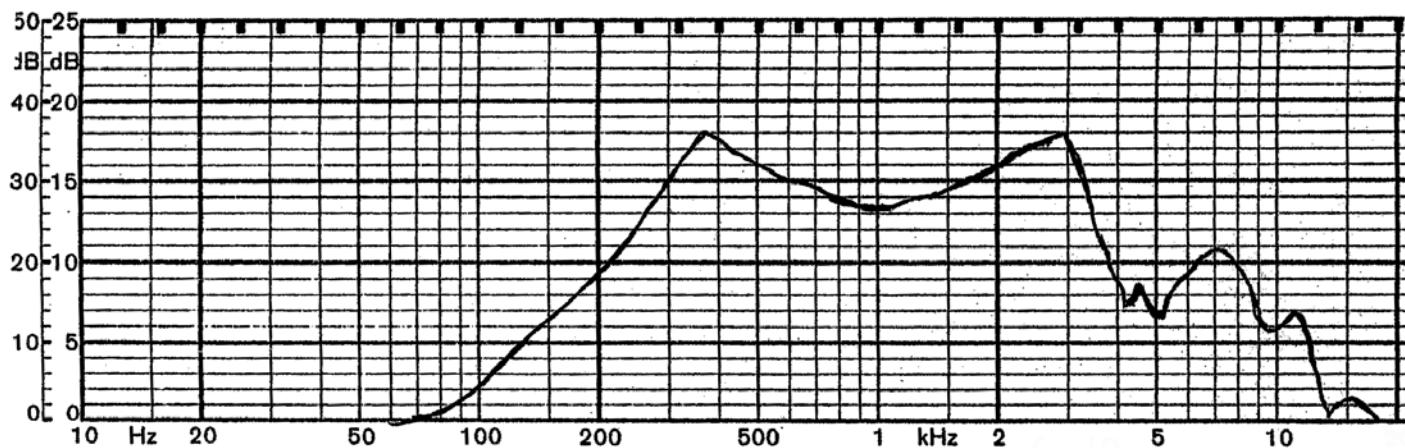


## Specifications

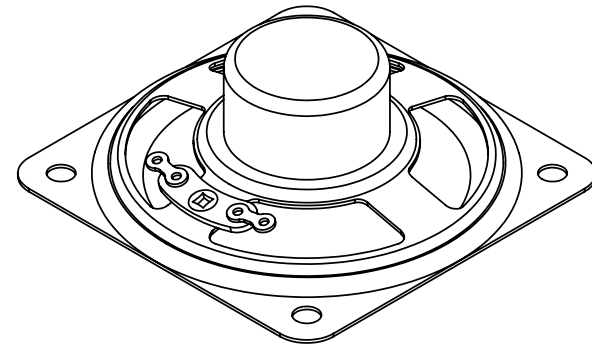
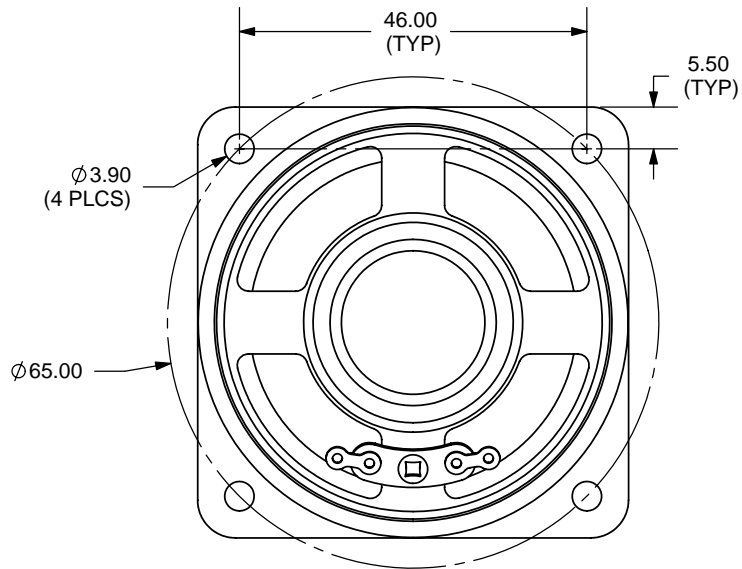
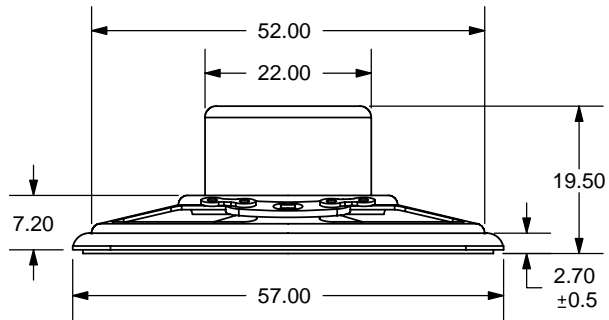
Nominal Size	57 mm (5.25 in)	(See attached drawing)
Impedance	8 Ohm $\pm$ 15%	at 800 Hz 1 V
Resonant frequency	400 Hz $\pm$ 80 Hz	at 1 V
Sound pressure level	88 dB/w $\pm$ 3 dB	1 w 50 cm ave. at 0.8K, 1.0K, 1.2K, 1.5K Hz
Response	Fo Hz ~ 4 KHz max 10 dB	
Input power	Nominal 0.25 W	Handling capacity 0.5 W
Operation	must be normal at program source 0.25 W	
Buzz, rattle, etc.	must be normal at sine wave 1.41 V	
Magnet	Size: 13 x 10 mm	
Load test	White noise 0.25 W for	5 hours
Heat test	70 $\pm$ 2° C	20-50% R.H. 5 hours
Humidity test	40 $\pm$ 2° C	90-95% R.H. 5 hours

## Frequency Response Curve

Potentiometer range	50 dB
Rectifier	RMS
Lower limit frequency	20 Hz
Wr. speed	100 mm/sec

Zero level 60 dB

REV.	DESCRIPTION	DATE
A	NEW DRAWING	9/15/2006



TOLERANCE:  
±0.5mm UNLESS OTHERWISE  
SPECIFIED



20050 SW 112th Ave.  
Tualatin, OR 97062  
Phone: 503-643-4899  
800-275-4899  
Fax: 503-372-1266  
Website: www.cui.com

TITLE: Square frame paper cone - alnico magnet		REV: A
PART NO. GA0576	UNITS: MM [INCHES]	
DRAWN BY: ZRJ	APPROVED BY:	SCALE: 1:1

PC FILE NAME:  
GA0576

COPYRIGHT 2006 BY CUI INC.