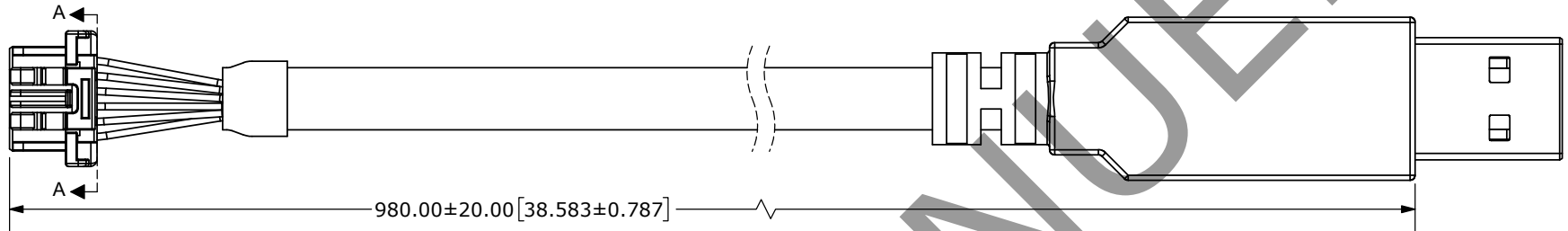
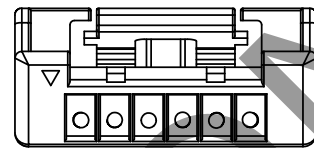


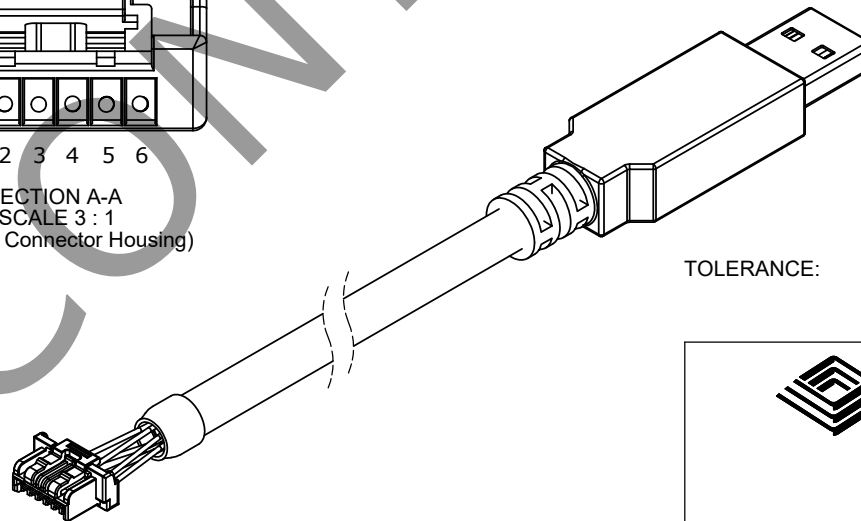
REV.	DESCRIPTION	DATE
A	NEW DRAWING	08/17/2017
B	UPDATED DATASHEET	05/02/2019



Connector Pinout		
#	Function	Color
1	+5 V	Red
2	TX_ENC+	Yellow
3	RX_ENC+	Orange
4	GND	Black
5	TBIT	White
6	MCLR	Green



1 2 3 4 5 6  
SECTION A-A  
SCALE 3 : 1  
(Back of Connector Housing)



TOLERANCE:



**CUI INC**

20050 SW 112th Ave.  
Tualatin, OR 97062  
Phone: 503-612-2300  
800-275-4899  
Fax: 503-612-2383  
Website: www.cui.com

ITEM NO: 977-7148R		REV: B
PART NO: AMT-06C-1-036-USB	UNITS: MM [INCH]	
DRAWN BY: RDS	APPROVED BY:	SCALE:

PC FILE NAME:  
AMT-06C-1-036-USB

COPYRIGHT 2017 BY CUI INC.