

MODEL: CPE-1785 | **DESCRIPTION:** PIEZO BUZZER TRANSDUCER**FEATURES**

- piezo transducer with pin mount
- 85 dB SPL
- 4,000 Hz rated frequency

**SPECIFICATIONS**

parameter	conditions/description	min	typ	max	units
operating voltage			2	30	Vp-p
current consumption	at 10 Vp-p, 4,000 Hz square wave			10	mA
rated frequency			4,000		Hz
sound pressure level	at 10 cm, 10V p-p, 4,000 Hz square wave	85			dB
electrostatic capacity	at 1 kHz/1 V	9,100	14,000	18,900	pF
dimensions	Ø17.0 x 7.0				mm
weight				1.5	g
material	PBT (black)				
terminal	pin type (Sn plating)				
operating temperature		-30		80	°C
storage temperature		-35		85	°C
RoHS	yes				

Notes: 1. All specifications measured at 5~35°C, humidity at 45~85%, under 86~106kPa pressure, unless otherwise noted.

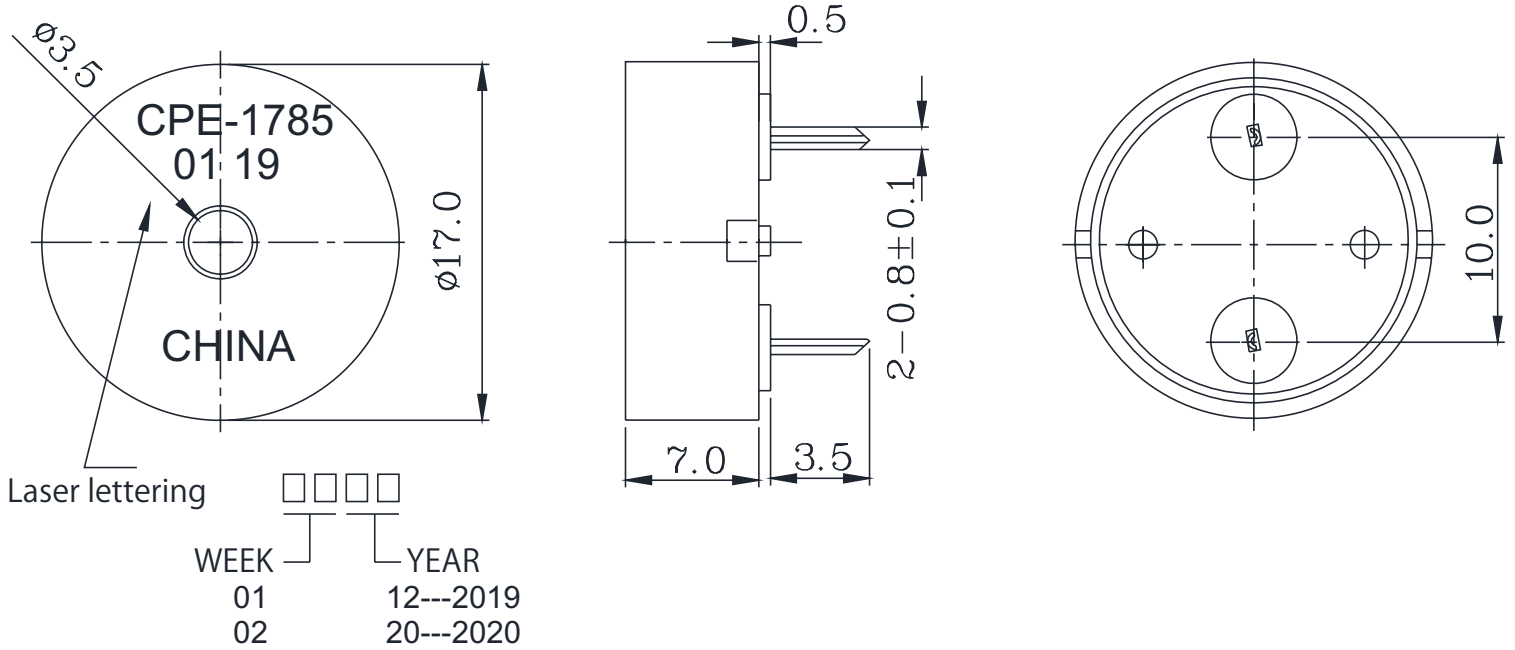
SOLDERABILITY

parameter	conditions/description	min	typ	max	units
hand soldering ²	for maximum 2 seconds	330		380	°C

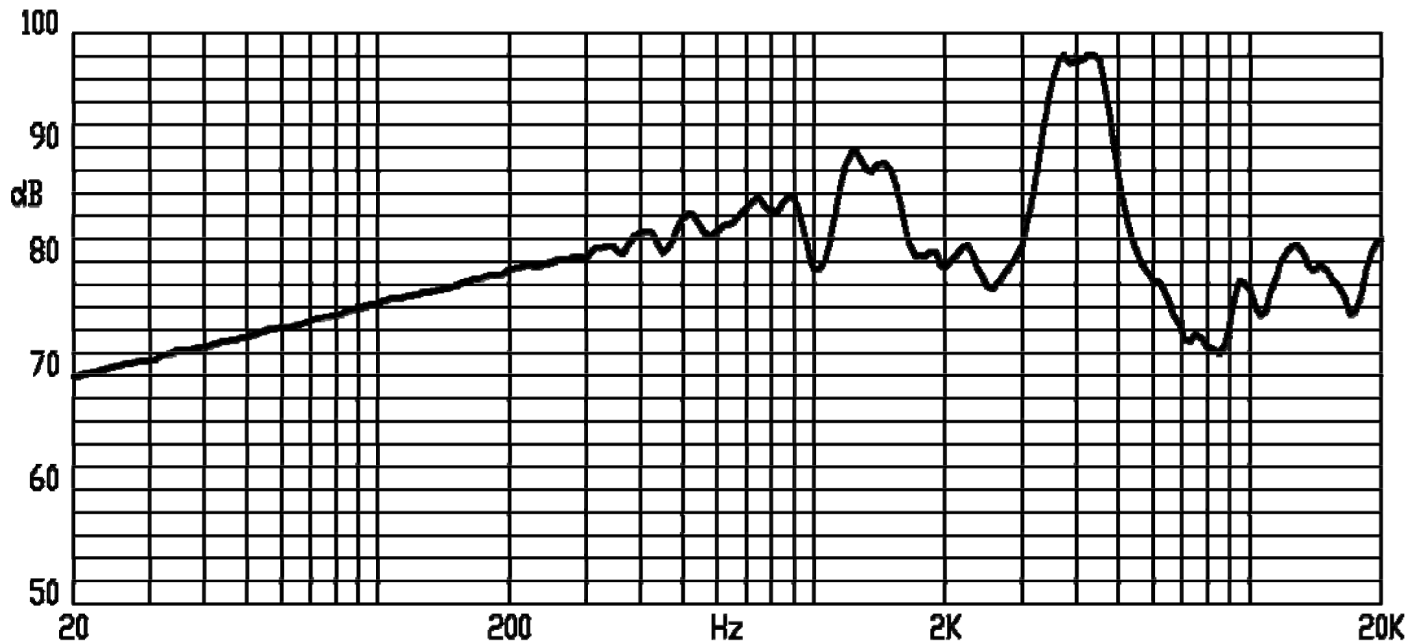
Notes: 2. Not recommended for wave soldering

MECHANICAL DRAWING

units: mm
tolerance: ± 0.5 mm



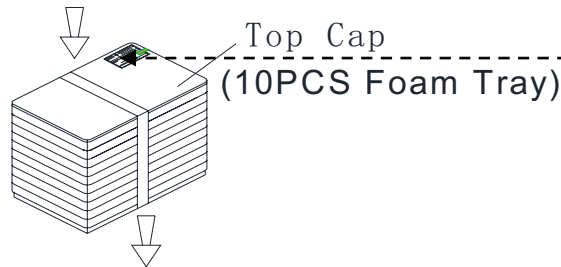
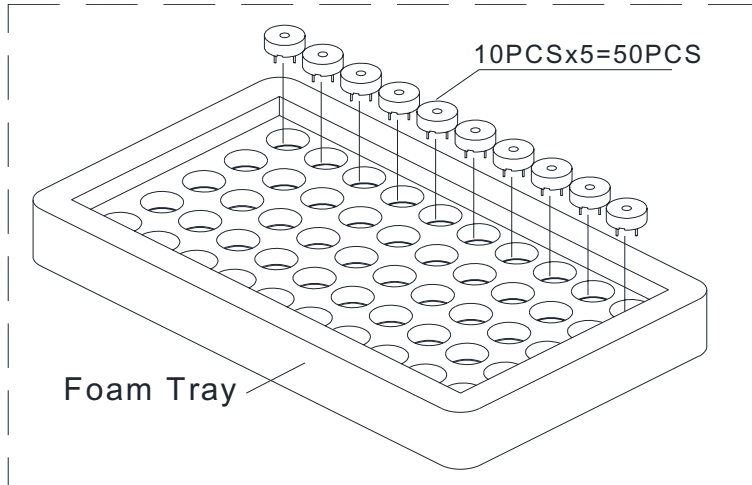
FREQUENCY RESPONSE CURVE



PACKAGING

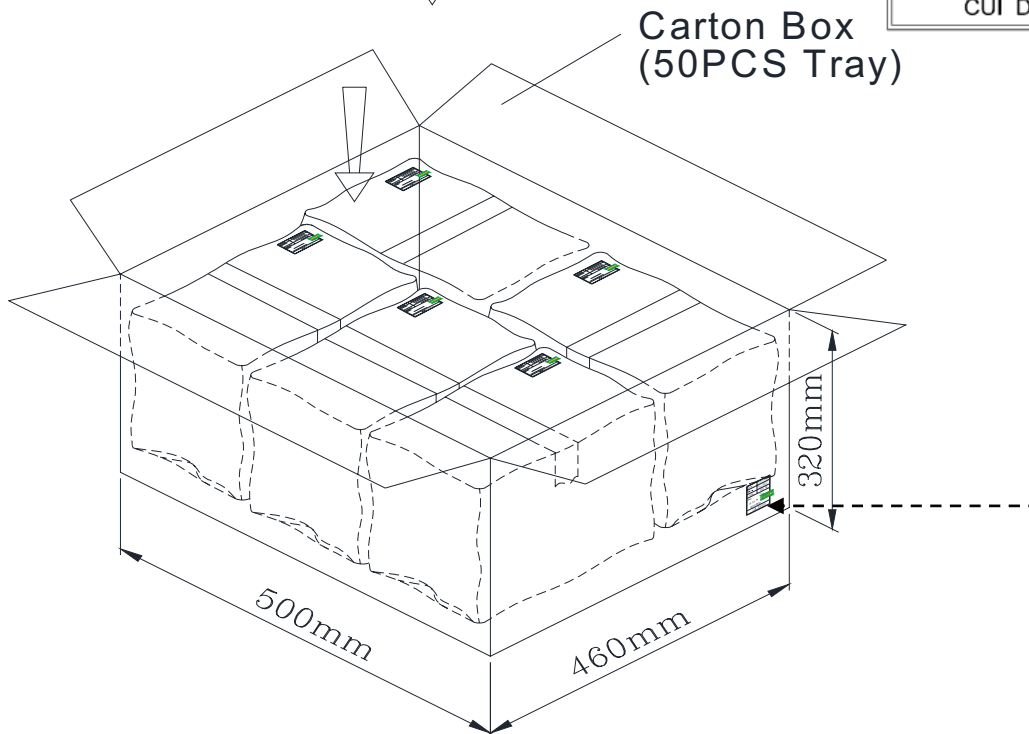
units: mm

Tray Size: 230 x 150 x 35 mm
 Carton Size: 500 x 460 x 320 mm
 Tray QTY: 50 pcs per tray
 Carton QTY: 2,500 pcs per carton



Lot No.	XXXXXXXXXX
Part No.	XXXXXXXXXX XXXXXXXXXX
Quantity	XXXX Pcs
Date:	DD MM YY
MADE IN CHINA	
CUI DEVICES	

RoHs Compliant



REVISION HISTORY

rev.	description	date
1.0	initial release	09/01/2010
1.01	brand update	03/13/2020
1.02	changed housing	04/09/2020

The revision history provided is for informational purposes only and is believed to be accurate.

CUI DEVICES

CUI Devices offers a one (1) year limited warranty. Complete warranty information is listed on our website.

CUI Devices reserves the right to make changes to the product at any time without notice. Information provided by CUI Devices is believed to be accurate and reliable. However, no responsibility is assumed by CUI Devices for its use, nor for any infringements of patents or other rights of third parties which may result from its use.

CUI Devices products are not authorized or warranted for use as critical components in equipment that requires an extremely high level of reliability. A critical component is any component of a life support device or system whose failure to perform can be reasonably expected to cause the failure of the life support device or system, or to affect its safety or effectiveness.