

PART NAME: KNOB SCALE: 1:1 DATE: 11/10/50 DR. BY FAA

THIS DRAWING IS THE PROPERTY OF DAVIES MOLDING COMPANY, IS SUBMITTED SOLELY AS A DESIGN OR ENGINEERING PROJECT. WE ACCEPT NO RESPONSIBILITY WHATSOEVER FOR THE PRACTICAL APPLICATION OF THE PIECES MADE TO THIS DESIGN.

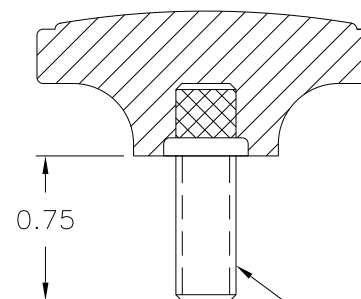
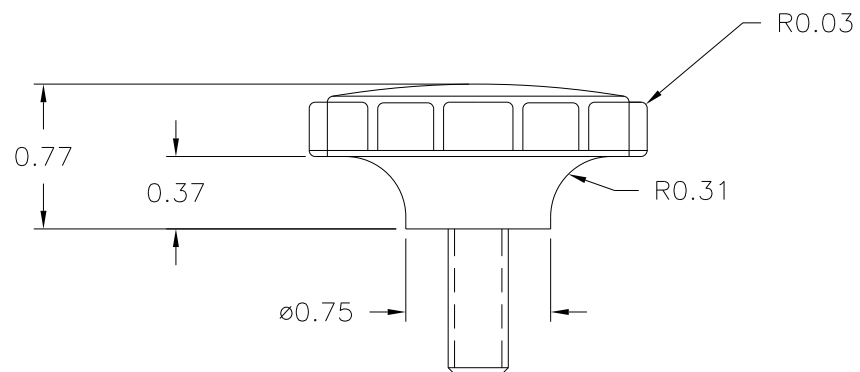
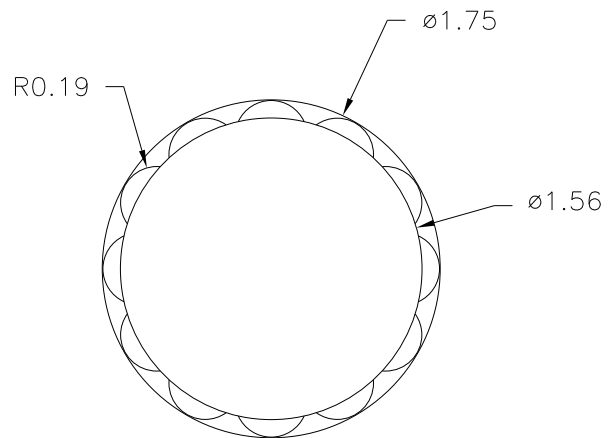


DESIGNERS & MANUFACTURERS OF KNOBS, HANDLES, CASES & CUSTOM PLASTIC COMPONENTS

P/N 3000CB

M^{NO.} 3000

CAVITY	3000
PLUNGER	3000
SHIM	1/4+1/4
PIN	3000-E
INSERT	I0254



5/16-18 UNC-2A THREADED I0254, STEEL, ZINC PLATED

MATERIAL: G.P. PHENOLIC (B11)
COLOR: BLACK

TOLERANCES: UNLESS OTHERWISE SPECIFIED	DO NOT SCALE DRAWING			
DECIMALS: X.XXX ± .005 X.XX ± .015	MM: X.XX ± 0.15MM X.X ± 0.4MM	-	RE-DID REDRAW	TL 11/24/99
FRACTIONS ± 1/64	ANG. ± 1°	-	CAD REDRAW	HD 8/13/97
CHANGES				