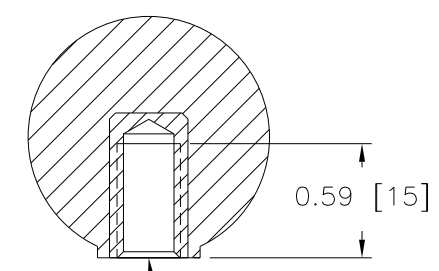
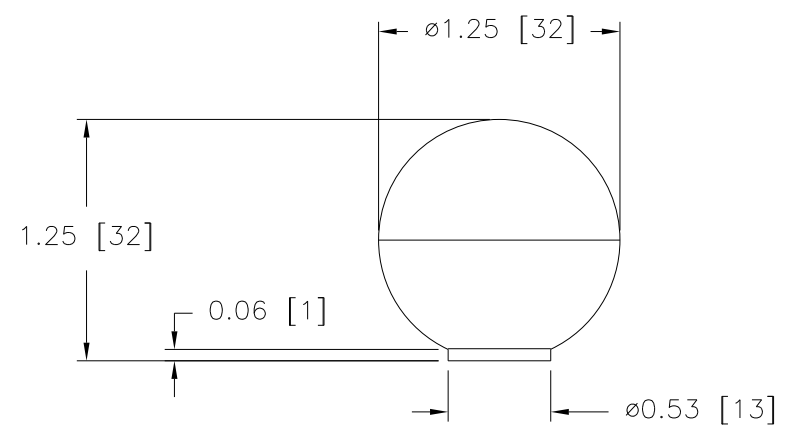


PART NAME: BALL KNOB    SCALE: 1:1    DATE: 7/26/07    DR. BY JAM

THIS DRAWING IS THE PROPERTY OF DAVIES MOLDING COMPANY, IS SUBMITTED SOLELY AS A DESIGN OR ENGINEERING PROJECT. WE ACCEPT NO RESPONSIBILITY WHATSOEVER FOR THE PRACTICAL APPLICATION OF THE PIECES MADE TO THIS DESIGN.

DAVIES MOLDING COMPANY  
CAROL STREAM, ILLINOIS 60188

P/N	0025FJ
M NO.	25
PINS	25-F
SHIMS	1
INSERT	I2366



M8 X 1.25 - 6H THREAD  
I2366, H.H. BRASS

MATERIAL: G.P. PHENOLIC (B11)  
COLOR: BLACK

TOLERANCES: UNLESS OTHERWISE SPECIFIED	DO NOT SCALE DRAWING			
DECIMALS: X.XXX ± .005 X.XX  ± .015	MM: X.XX ± 0.15MM X.X  ± 0.4MM	-	WAS SK0025-33	JAM 7/26/07
FRACTIONS ± 1/64	ANG. ± 1°	CHANGES		