

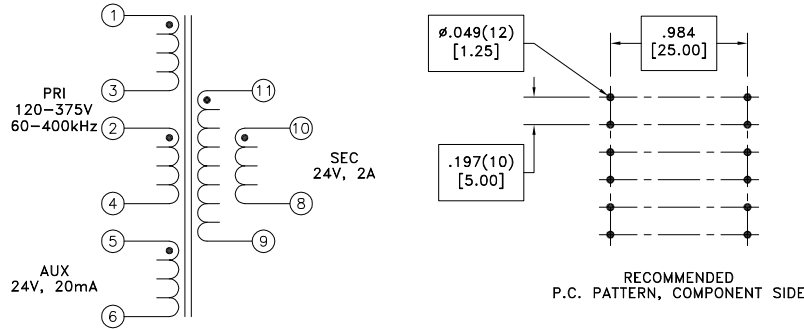
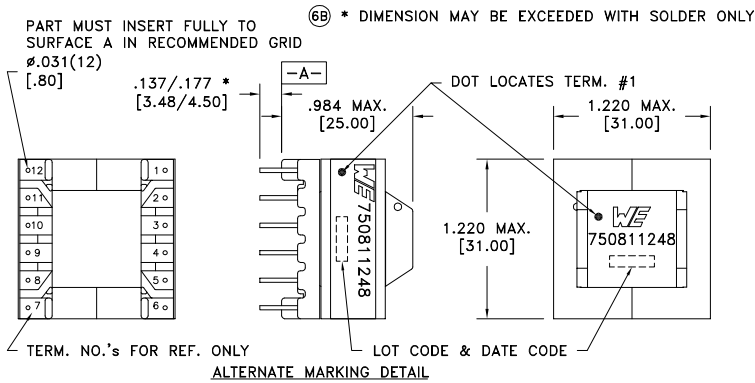
CUSTOMER TERMINAL	RoHS	LEAD(Pb)-FREE
Sn96%, Ag4%	Yes	Yes

more than you expect



ELECTRICAL SPECIFICATIONS @ 25°C unless otherwise noted:

PARAMETER	TEST CONDITIONS	VALUE
D.C. RESISTANCE	1-3 @20°C	0.155 ohms ±10%
D.C. RESISTANCE	2-4 @20°C	0.125 ohms ±10%
D.C. RESISTANCE	5-6 @20°C	0.185 ohms ±10%
D.C. RESISTANCE	8-10 @20°C	0.050 ohms max.
D.C. RESISTANCE	9-11 @20°C	0.050 ohms max.
INDUCTANCE	1-4 tie(2+3), 10kHz, 100mVAC, Ls	300uH ±10%
SATURATION CURRENT	20% rolloff from initial	3.5A
LEAKAGE INDUCTANCE	1-4 tie(2+3, 5+6, 8+9+10+11), 100kHz, 100mVAC, Ls	3.6uH typ., 6.0uH max.
DIELECTRIC	1-11 tie(2+3, 4+5), 4500VAC, 1 second	4500VAC, 1 minute
DIELECTRIC	1-10 tie(2+3, 4+5), 4500VAC, 1 second	4500VAC, 1 minute
DIELECTRIC	1-5 1250VAC, 1 second	1000VAC, 1 minute
TURNS RATIO	(1-4):(11-9), tie(2+3)	4:1, ±1%
TURNS RATIO	(1-4):(10-8), tie(2+3)	4:1, ±1%
TURNS RATIO	(1-4):(5-6), tie(2+3)	4:1, ±1%
TURNS RATIO	(1-3):(2-4)	1:1, ±1%



GENERAL SPECIFICATIONS:

- 6B Designed to comply with the following requirements as defined by IEC61558-2-16:
 - Reinforced insulation for a primary circuit at a working voltage of 400VDC.
- 6B OPERATING TEMPERATURE RANGE: -40°C to +125°C including temp rise.

Wire insulation & RoHS status not affected by wire color.
Wire insulation color may vary depending on availability.

REV.	DATE	Packaging Specifications Method: Tray PKG-0872 www.we-online.com/midcom		Tolerances unless otherwise specified: Angles: ±1° Fractions: ±1/64 Decimals: ±.005 [.13] Footprint: ±.001 [.03]	DRAWING TITLE TRANSFORMER	PART NO. 750811248
6B	9/17			This drawing is dual dimensioned. Dimensions in brackets are in millimeters.	eiSos p/n: 750811248	
6A	12/11	SEE REVISION SHEET FOR REVISION LEVEL				SPECIFICATION SHEET 1 OF 1