

PART NAME: BALL KNOB    SCALE: 1:1    DATE: 1/29/92    DR. BY HD

THIS DRAWING IS THE PROPERTY OF DAVIES MOLDING COMPANY, IS SUBMITTED SOLELY AS A DESIGN OR ENGINEERING PROJECT. WE ACCEPT NO RESPONSIBILITY WHATSOEVER FOR THE PRACTICAL APPLICATION OF THE PIECES MADE TO THIS DESIGN.

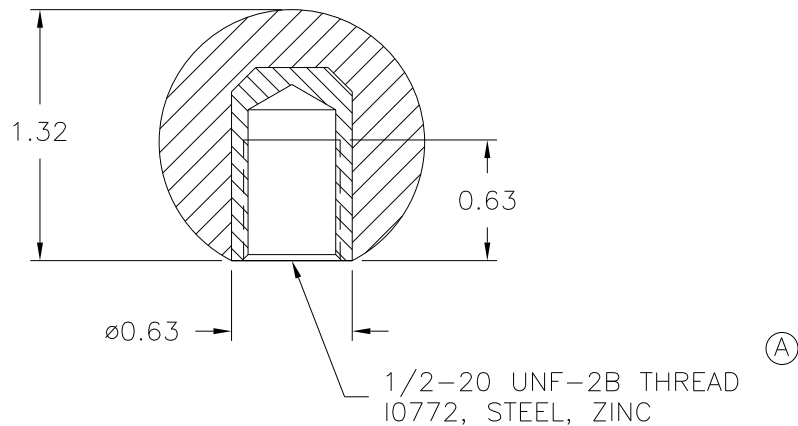
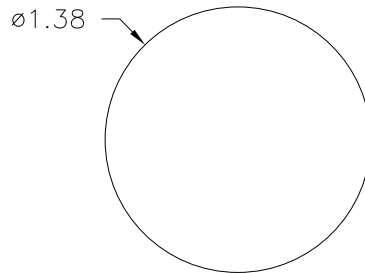


DESIGNERS & MANUFACTURERS OF KNOBS, HANDLES, CASES & CUSTOM PLASTIC COMPONENTS

P/N 0033-P

M<sup>NO.</sup> 3220

CAVITY	0033
PLUNGER	0033
PINS	0050-V
SHIM	0.220
INSERT	I0772



MATERIAL: G.P. PHENOLIC (B11)  
COLOR: BLACK

TOLERANCES: UNLESS OTHERWISE SPECIFIED	DO NOT SCALE DRAWING	-	RE-DID REDRAW	TL	10/28/99
DECIMALS: X.XXX ± .005 X.XX ± .015	MM: X.XX ± 0.15MM X.X ± 0.4MM	A	CORRECTED-WAS BRASS	HD	3/31/98
FRACTIONS ± 1/64	ANG. ± 1°	-	CAD REDRAW	HD	8/9/92
CHANGES					