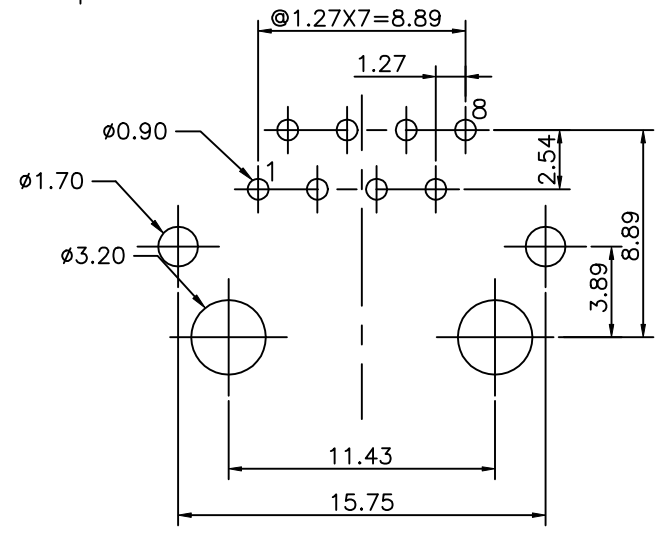
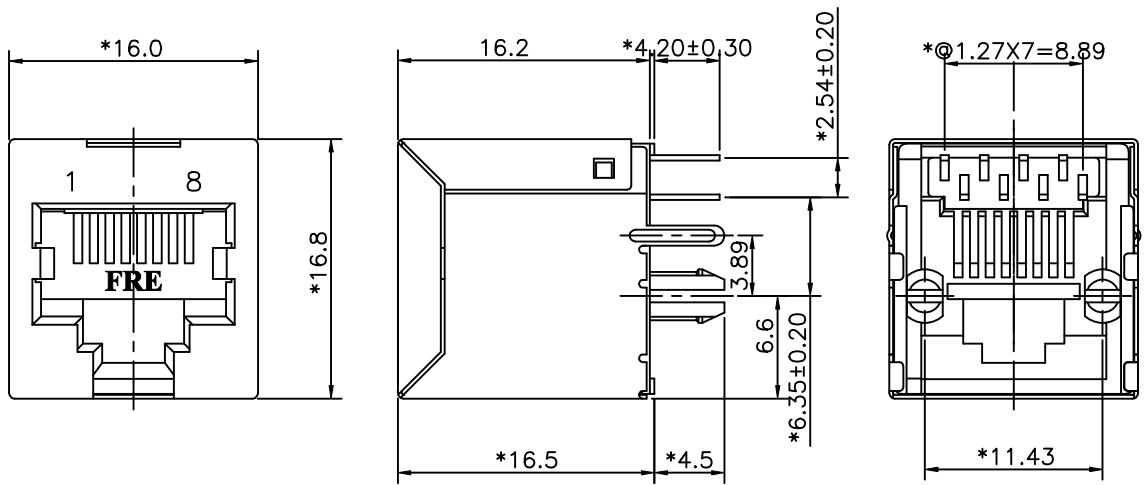


REVISION RECORD				
REV	ECO	DESCRIPTION	DRFT	CHKD



**NOTES:**

**ELECTRICAL:**

1. VOLTAGE RATING : 125 VAC RMS.
2. CURRENT RATING : 1.5 AMP.
3. CONTACT RESISTANCE : 30 MILLIOHMS MAX.
4. INSULATION RESISTANCE: 1000 MEGOHMS MIN @ 500 VDC.
5. DIELECTRIC STRENGTH : 1000 VAC RMS 60Hz, 1MIN.

**MECHANICAL:**

1. HOUSING MATERIAL : NYLON+30%.G.F(FR52)UL94V-0.
2. CONTACT MATERIAL : PHOSPHOR BRONZE t=0.35mm.
3. PLATING : GOLD PLATING OVER NICKEL.
4. OPERATING LIFE : 750 CYCLES MIN.
5. PCB RETENTION PRE-SOLDER : 1 LB MIN.
6. PCB RETENTION POST-SOLDER: 10 LBS MIN.

**ENVIRONMENTAL:**

1. STORAGE : -40°C TO +85°C.
2. OPERATION: -40°C TO +85°C.
3. WAVE SOLDER TEMPERATURE: 255°C TO 265°C 5~10 SECOND.

MATES WITH MODULAR PLUG CONFORMING TO

FCC PART 68, SUBPART F.

CUL FILE NO. E163191

PART NUMBER: E5288-XX0B4X-L

3-W/ "FRE"LOGO  
R-W/O "FRE"LOGO

GOLD PLATING:  
1- 3u" 2- 6u"  
3-15u" 4-30u"  
5-50u"

SHIELD PLATING:  
F- TIN PLATING  
G-TINNED GROUND PEGS

DETACHED LISTS	MM (INCH)		DFTO ANKUE	DATE 4/21/05	FULL RISE ELECTRONIC CO., LTD	
	TOLERANCES EXCEPT AS NOTED		CHKDSAMMY	DATE 2005/4/22		
	MM	±	MFO	DATE	TITLE	
	.0 ± 0.2	±	APPVILISHENG	DATE 2005/4/23		
.00 ± 0.15	±	MATERIAL :		RJ45 TOP ENTRY PCB MODULAR JACK(DIP TYPE)		
.000 ± 0.075	±	FINISH :		DRAWING NO. GE523003-LA	SIZE A3	REV 0
ANGLES ± 0.5		QTY :		/PART NO. SEE NOTE		DO NOT SCALE DRAWING
THIRD ANGLE PROJECTION		SCALE : 3:1		SHEET 1 OF 1		