

Description: 25x25x4mm
GPS/Glonass/Beidou Pin Mount

Series: Ceramic Patch

PART NUMBER: W3207



Features:

- Satellite navigation passive antenna
- Cover Multi-navigation GNSS systems
- RHCP Polarization
- Mounting with adhesive tape and feed pin soldering

Applications:

- BeiDou ,Compass GPS, Galileo, Glonass satellite navigation system
- Asset tracking, Fleet management, IoT, M2M

All dimensions are in mm / inches

Issue: 1702

In the effort to improve our products, we reserve the right to make changes judged to be necessary.

CONFIDENTIAL AND PROPRIETARY INFORMATION

This document contains confidential and proprietary information of Pulse Electronics, Inc. (Pulse) and is protected by copyright, trade secret and other state and federal laws. Its receipt or possession does not convey any rights to reproduce, disclose its contents, or to manufacture, use or sell anything it may describe. Reproduction, disclosure or use without specific written authorization of Pulse is strictly forbidden.

For more information:

Pulse Worldwide Headquarters
12220 World Trade Drive
San Diego, CA 92128
USA
Tel:1-858-674-8100

Pulse/Larsen Antennas
18110 SE 34th St Bldg 2 Suite 250
Vancouver, WA 98683
USA
Tel: 1-360-944-7551

Europe Headquarters
Pulse GmbH & Do, KG
Zeppelinstrasse 15
Herrenberg, Germany
Tel: 49 7032 7806 0

Pulse (Suzhou) Wireless Products Co, Inc.
99 Huo Ju Road(#29 Bldg,4th Phase
Suzhou New District
Jiangsu Province, Suzhou 215009 PR China
Tel: 86 512 6807 9998



**Description: 25x25x4mm
GPS/Glonass/Beidou Pin Mount**

Series: Ceramic Patch

PART NUMBER: W3207

ELECTRICAL SPECIFICATIONS

Frequency Beidou	1561.098 ± 2.046 MHz
Frequency GPS	1575.42 ± 1.023 MHz
Frequency Glonass	1602.5625 ± 4 MHz
Nominal Impedance	50 Ω
Return Loss(Typical)*	≤-4 dB
Peak Gain @ Zenith (RHCP Typical)*	>1dBic
Polarization*	RHCP

*All test on 70X70mm metal ground plane

Issue: 1702

In the effort to improve our products, we reserve the right to make changes judged to be necessary.

CONFIDENTIAL AND PROPRIETARY INFORMATION

This document contains confidential and proprietary information of Pulse Electronics, Inc. (Pulse) and is protected by copyright, trade secret and other state and federal laws. Its receipt or possession does not convey any rights to reproduce, disclose its contents, or to manufacture, use or sell anything it may describe. Reproduction, disclosure or use without specific written authorization of Pulse is strictly forbidden.

**Description: 25x25x4mm
GPS/Glonass/Beidou Pin Mount**

Series: Ceramic Patch

PART NUMBER: W3207

MECHANICAL SPECIFICATIONS

Color	Grey
Weight	9.7g
Overall Length (W *L *H)	25 x 25 x 4 mm 9.8 x 9.8 x 1.6 Inch
RoHS compliance	YES

ENVIRONMENTAL SPECIFICATIONS

Operating temperature	-40~+85° C
Temperature	25 ±3 ° C
Humidity	40 ± 2 ° C ,90~96% RH,96 hours
Vibration	10~55Hz,1.5mm

Issue: 1702

In the effort to improve our products, we reserve the right to make changes judged to be necessary.

CONFIDENTIAL AND PROPRIETARY INFORMATION

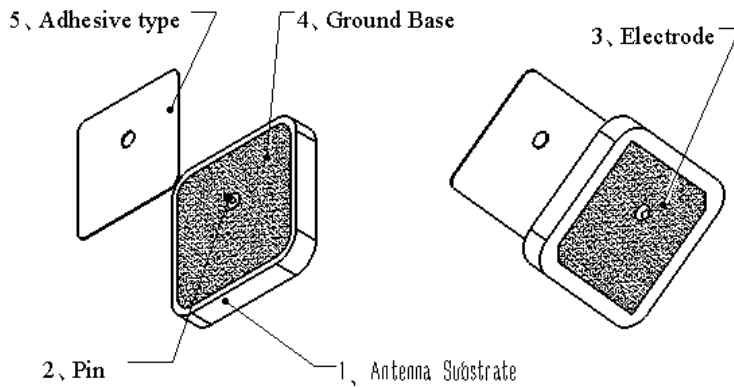
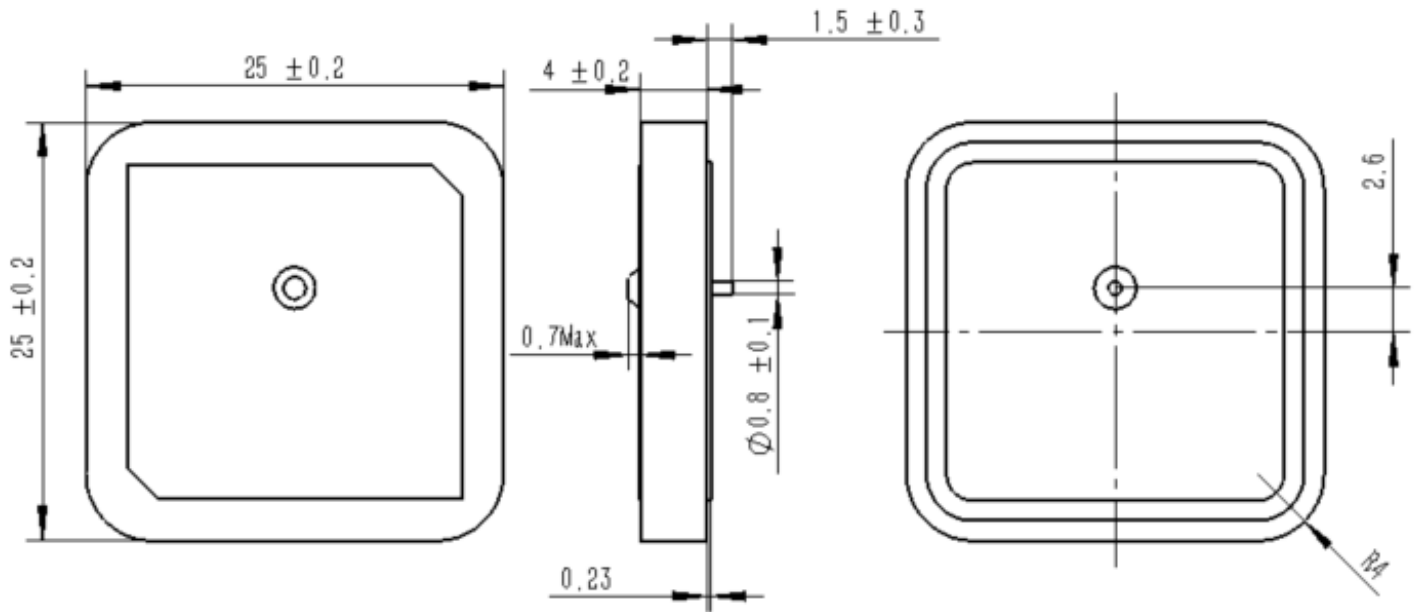
This document contains confidential and proprietary information of Pulse Electronics, Inc. (Pulse) and is protected by copyright, trade secret and other state and federal laws. Its receipt or possession does not convey any rights to reproduce, disclose its contents, or to manufacture, use or sell anything it may describe. Reproduction, disclosure or use without specific written authorization of Pulse is strictly forbidden.

Description: 25x25x4mm
GPS/Glonass/Beidou Pin Mount

Series: Ceramic Patch

PART NUMBER: W3207

MECHANICAL DRAWING



NO.	Description	Structure and material
1	Antenna Substrate	Dielectric Ceramics
2	Pin	Copper and tinplated
3	Electrode	Ag Plated
4	Ground Base	Ag Plated
5	Adhesive type	NITTO 5000NS

Issue: 1702

In the effort to improve our products, we reserve the right to make changes judged to be necessary.

CONFIDENTIAL AND PROPRIETARY INFORMATION

This document contains confidential and proprietary information of Pulse Electronics, Inc. (Pulse) and is protected by copyright, trade secret and other state and federal laws. Its receipt or possession does not convey any rights to reproduce, disclose its contents, or to manufacture, use or sell anything it may describe. Reproduction, disclosure or use without specific written authorization of Pulse is strictly forbidden.

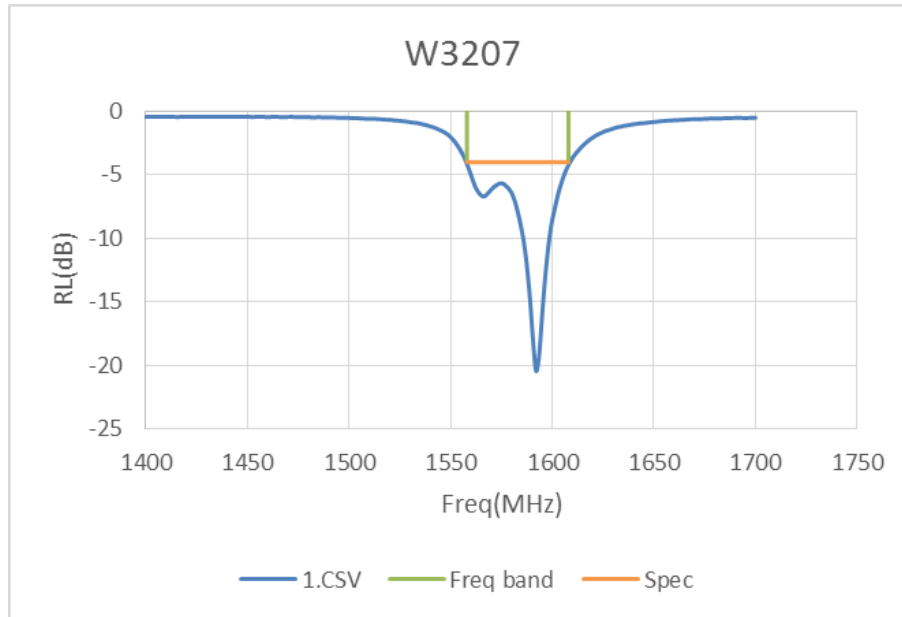
Description: 25x25x4mm
GPS/Glonass/Beidou Pin Mount

Series: Ceramic Patch

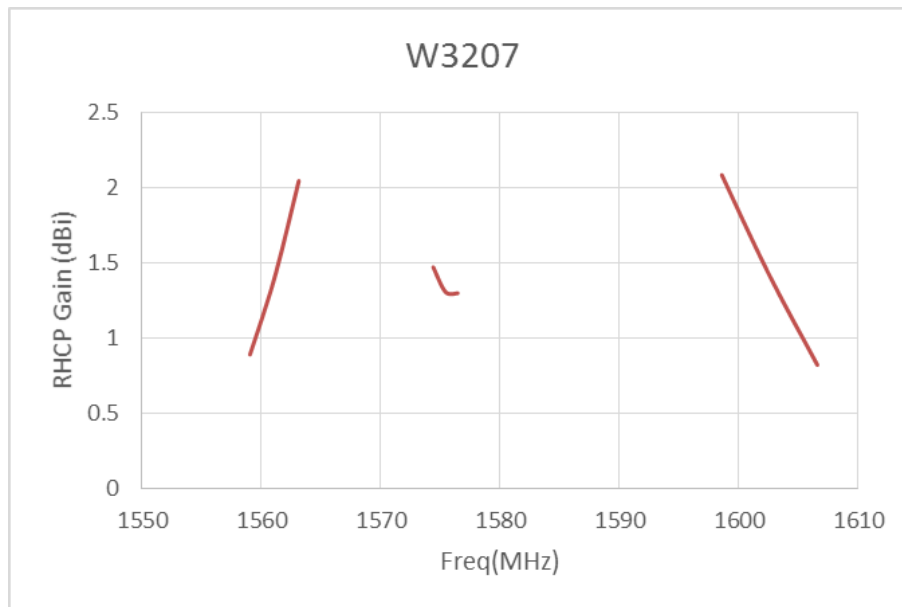
PART NUMBER: W3207

CHARTS

Return Loss on 70X70mm ground plane



RHCP Gain on 70X70mm ground plane



Issue: 1702

In the effort to improve our products, we reserve the right to make changes judged to be necessary.

CONFIDENTIAL AND PROPRIETARY INFORMATION

This document contains confidential and proprietary information of Pulse Electronics, Inc. (Pulse) and is protected by copyright, trade secret and other state and federal laws. Its receipt or possession does not convey any rights to reproduce, disclose its contents, or to manufacture, use or sell anything it may describe. Reproduction, disclosure or use without specific written authorization of Pulse is strictly forbidden.

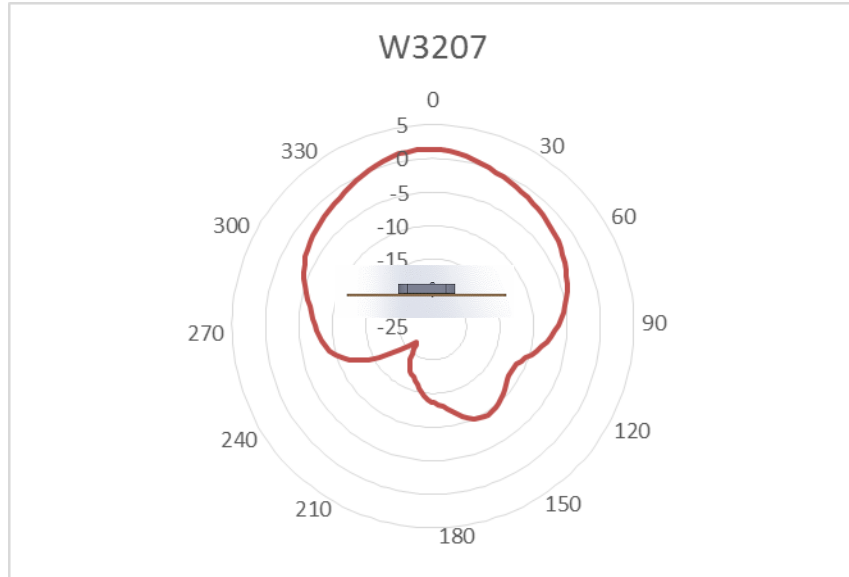
**Description: 25x25x4mm
GPS/Glonass/Beidou Pin Mount**

Series: Ceramic Patch

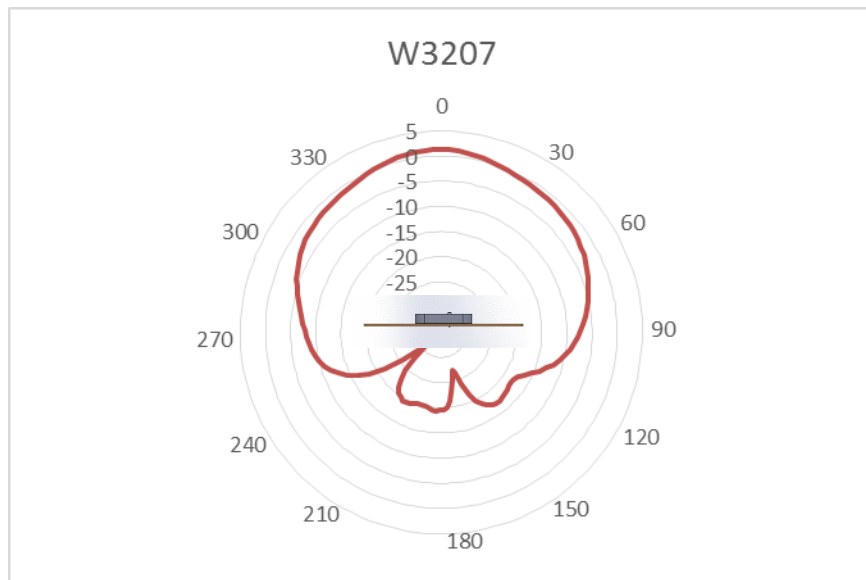
PART NUMBER: W3207

CHARTS

Radiation Pattern (70mm x 70mm ground plane) Beidou



Radiation Pattern (70mm x 70mm ground plane) GPS



Issue: 1702

In the effort to improve our products, we reserve the right to make changes judged to be necessary.

CONFIDENTIAL AND PROPRIETARY INFORMATION

This document contains confidential and proprietary information of Pulse Electronics, Inc. (Pulse) and is protected by copyright, trade secret and other state and federal laws. Its receipt or possession does not convey any rights to reproduce, disclose its contents, or to manufacture, use or sell anything it may describe. Reproduction, disclosure or use without specific written authorization of Pulse is strictly forbidden.

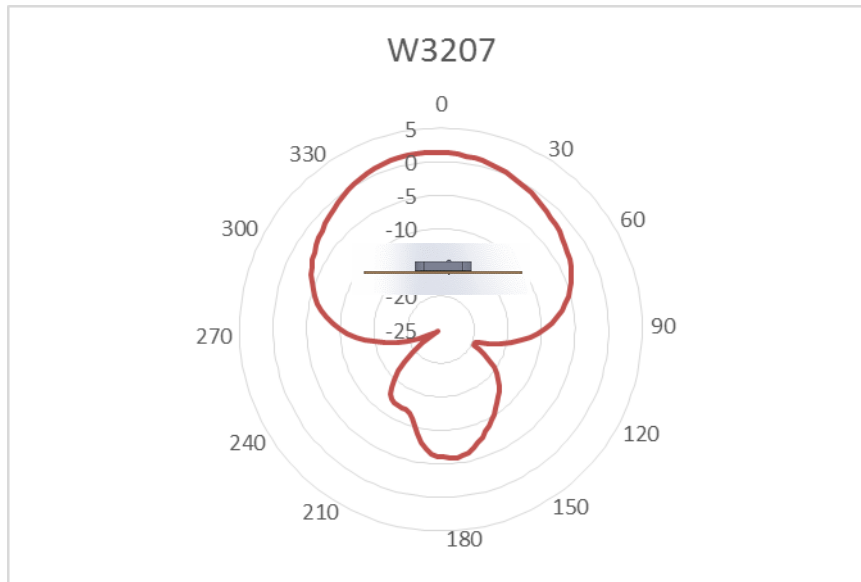
Description: 25x25x4mm
GPS/Glonass/Beidou Pin Mount

Series: Ceramic Patch

PART NUMBER: W3207

CHARTS

Radiation Pattern (70mm x 70mm ground plane) Glonass



Issue: 1702

In the effort to improve our products, we reserve the right to make changes judged to be necessary.

CONFIDENTIAL AND PROPRIETARY INFORMATION

This document contains confidential and proprietary information of Pulse Electronics, Inc. (Pulse) and is protected by copyright, trade secret and other state and federal laws. Its receipt or possession does not convey any rights to reproduce, disclose its contents, or to manufacture, use or sell anything it may describe. Reproduction, disclosure or use without specific written authorization of Pulse is strictly forbidden.

Series: Ceramic Patch

**Description: 25x25x4mm
GPS/Glonass/Beidou Pin Mount**

PART NUMBER: W3207

PACKAGING

50pcs antennas per tray

10pcs trays per inner box

Inner box size : 335mm*200mm*120mm

2pcs inner boxes per outside box

Outside box size : 345mm*210mm*260mm

1000pcs antennas per outside box

Issue: 1702

In the effort to improve our products, we reserve the right to make changes judged to be necessary.

CONFIDENTIAL AND PROPRIETARY INFORMATION

This document contains confidential and proprietary information of Pulse Electronics, Inc. (Pulse) and is protected by copyright, trade secret and other state and federal laws. Its receipt or possession does not convey any rights to reproduce, disclose its contents, or to manufacture, use or sell anything it may describe. Reproduction, disclosure or use without specific written authorization of Pulse is strictly forbidden.