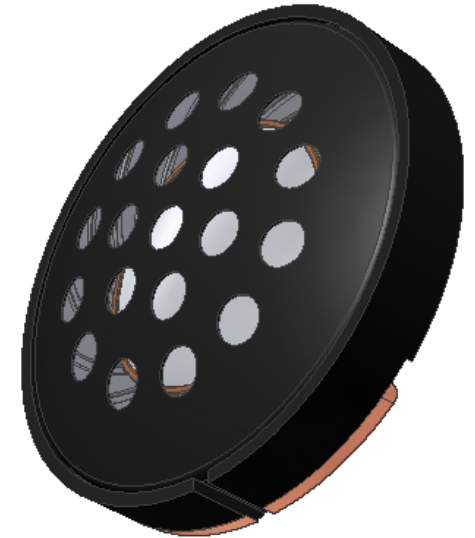




pui
audio™ inc
a projects unlimited company

AR027150MR-R 27mm Receiver

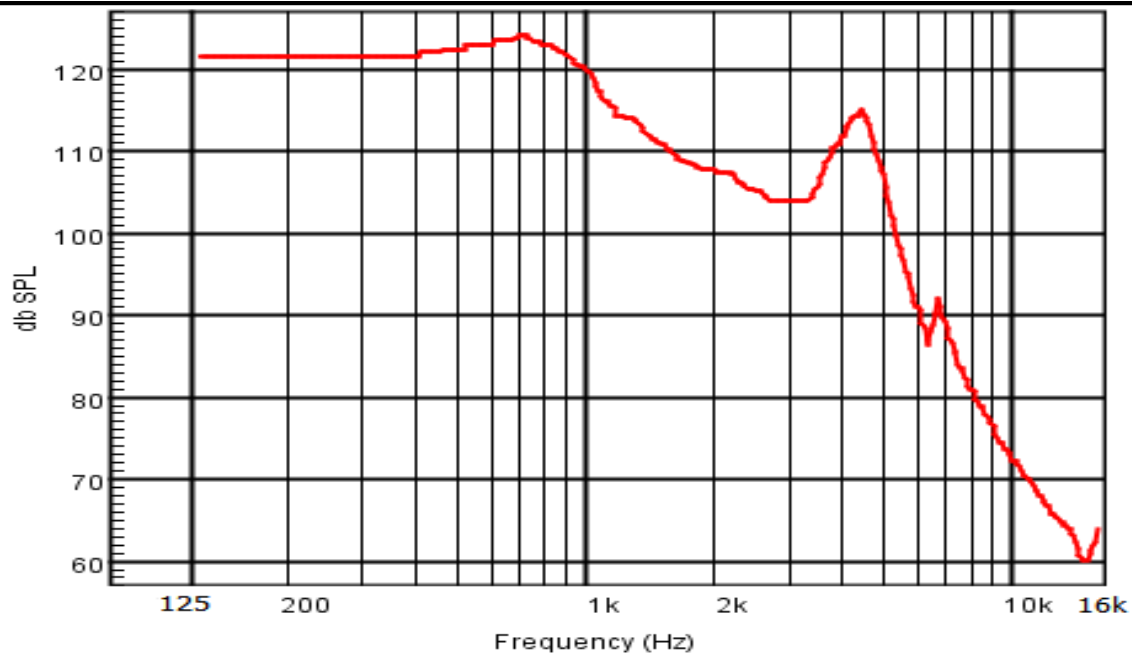


3541 Stop Eight Road • Dayton, Ohio 45414

Product Overview

- 27mm diameter dynamic receiver with Neodymium magnet
- 119 dB sensitivity (0.001W/1cm) and Mylar diaphragm for moisture resistance
- 0.015W continuous, 0.03W maximum power handling and 150Ω impedance
- Great for voice, music, and multi-tone reproduction
- Integrated grill for protection

Frequency Response (0.001W @ 0.01 meters, measured in artificial ear)



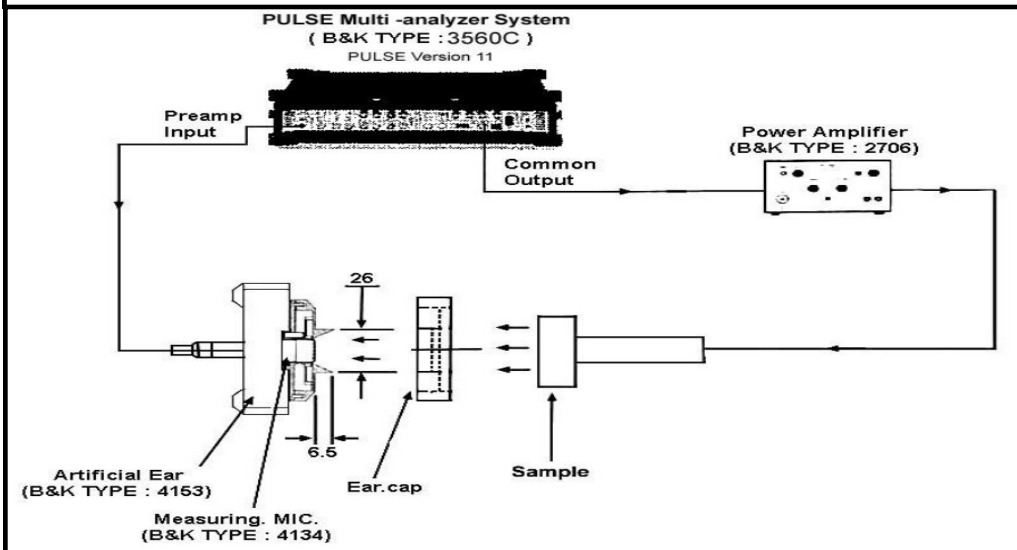
An Initiative of the EICC and GeSI



AR027150MR-R

27mm Receiver

Frequency Response and SPL Measurement Setup



Mechanical and Environment Testing

Test Description	Test Condition
High Temperature	60°C ±2°C with random humidity for 96 hours
Low Temperature	-20°C ±2°C with random humidity for 96 hours
Humidity	+25°C to +55°C with 90% to 95% relative humidity for 12 hours, 10 cycles
Vibration	1.5 mm movement modulated at 10 to 55 Hz for 2 hours in each axis for a total of 6 hours
Drop Test	70cm free fall onto 10mm thick board on top and bottom sides
Temperature Cycle Test	-25°C to 60°C, 5 cycles

After tests, speaker shall rest for 1 hours. SPL shall not deviate ±4 dB from pre-test measurement.

Thiele-Small Parameters

Specification	Value
Fo (Hz)	650
Qes	5.68
Qms	1.90
Qts	1.42
Vas (mm³)	3k
Sd (mm²)	490
Mms (g)	1.14
Re (ohm)	7.4
BL (T)	1.90

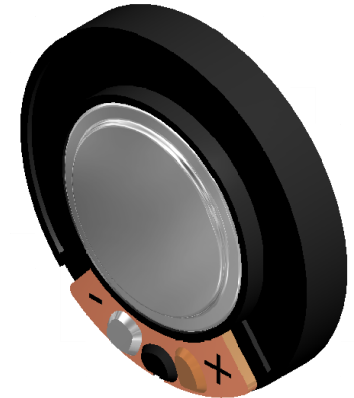
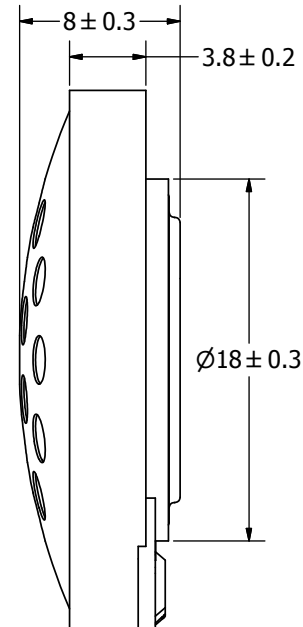
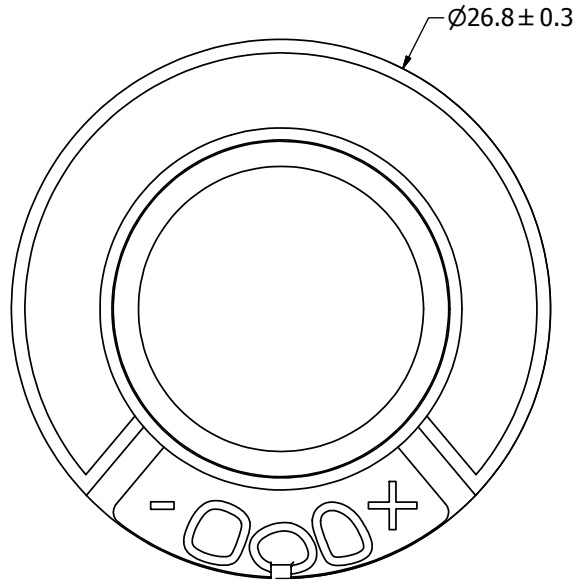
SPECIFICATIONS

PARAMETERS	VALUES	UNITS
RATED INPUT POWER	.015	W
MAX INPUT POWER	.030	W
IMPEDANCE	150 ± 15%	OHM
OUTPUT SPL @ .001W/1cm (AT 1.0 kHz)	119 ± 3	dBA
DISTORTION (MAX.)	5%	-
RESONANT FREQUENCY	650 ± 20%	Hz
FREQUENCY RANGE	20 ~ 10,000	Hz
HOUSING MATERIAL	ABS	-
CONE MATERIAL	MYLAR	-
MAGNET MATERIAL	Nd-Fe-B	-
OPERATING TEMPERATURE	-20 ~ +55	°C
WEIGHT	5.2	grams

THIS DOCUMENT CONTAINS DATA PROPRIETARY TO PROJECTS UNLIMITED, INC. ANY USE OR REPRODUCTION, IN ANY FORM, WITHOUT PRIOR WRITTEN PERMISSION OF PROJECTS UNLIMITED, INC. IS PROHIBITED.
©2005, Projects Unlimited Inc.

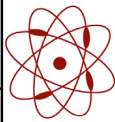
REVISION HISTORY

LTR	DESCRIPTION	DATE	APPROVED
-	RELEASED FROM ENGINEERING	8/29/2006	
A	REVISED TO INVENTOR 3-D DRAWING TEMPLATE	4/2/2008	B.R.



NOTES:

1. ALL DIMENSIONS ARE IN MILLIMETERS.
2. SPECIFICATIONS SUBJECT TO CHANGE OR WITHDRAWAL WITHOUT NOTICE.
3. THIS PART IS RoHS 2002/95/EC COMPLIANT.

UNLESS OTHERWISE SPECIFIED: DIMENSIONS ARE IN MILLIMETERS, TOLERANCES ARE ±0.5 AND ANGLES ARE ±3°.	SIZE A3	Designed by	Date	Checked by	Date	Approved by	Date	Drawn Date	
		J.D.	8/29/2006	B.R.	9/1/2006	R.W.	9/1/2006	4/2/2008	
AR027150MR-R.idw		 pui audio a projects unlimited company		AR027150MR-R					
				Receiver				Edition	Sheet
				-				1 / 1	