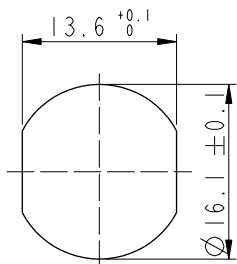


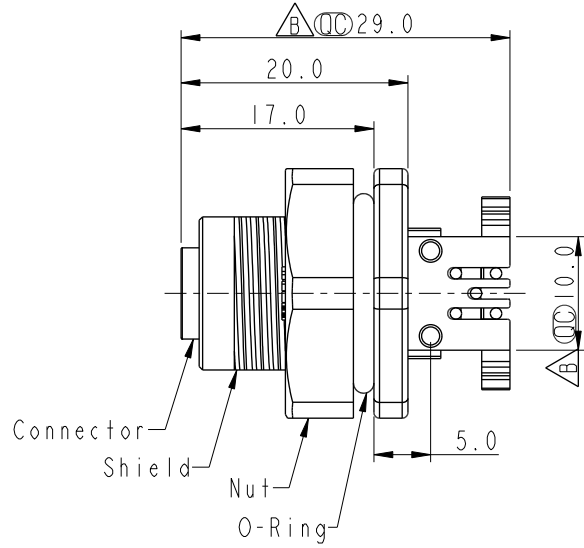
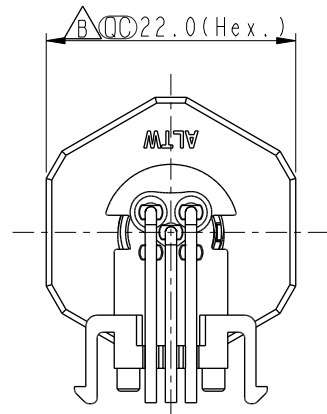
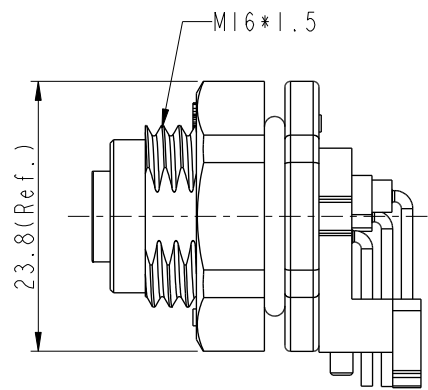
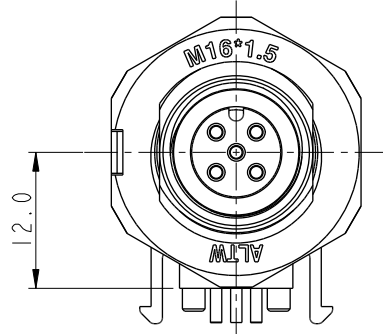
THIS DOCUMENT IS SUBJECT TO CHANGE WITHOUT NOTICE. IT IS CONFIDENTIAL AND A PROPERTY OF AMPHENOL LTW. DISCLOSURE TO THIRD PARTY HAS TO BE AUTHORIZED BY AMPHENOL LTW.

| REV. | ECN NO. | DATE | SIGN | DESCRIPTION |
|------|---------|------------|------|-------------|
| B | C210309 | 2021/03/05 | Ruru | △ B X7 |
| | | | | |

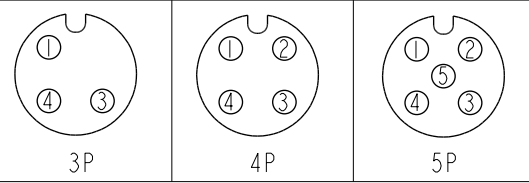


Recommended Panel Cut-Out

△ B MSAP-XXPFFR-SF8002
XX: No. Of Pin



- △ B Note:
- * RoHS Compliant
 - * (CC) Important dimension
 - * Waterproof rate: IPX8, unmated 1m/24h
 - * Connector
 - Housing: Thermoplastic, Black
 - Pin: Copper alloy, Gold plated
 - O-Ring: Rubber, Gray
 - * Shield: Thermoplastic, Black
 - * Nut: Thermoplastic, Black
 - * O-Ring: Rubber, Black
 - * For panel thickness max: 4.0mm
 - * For pcb thickness max: 1.6mm
 - * Nut is packed separately in pe bag



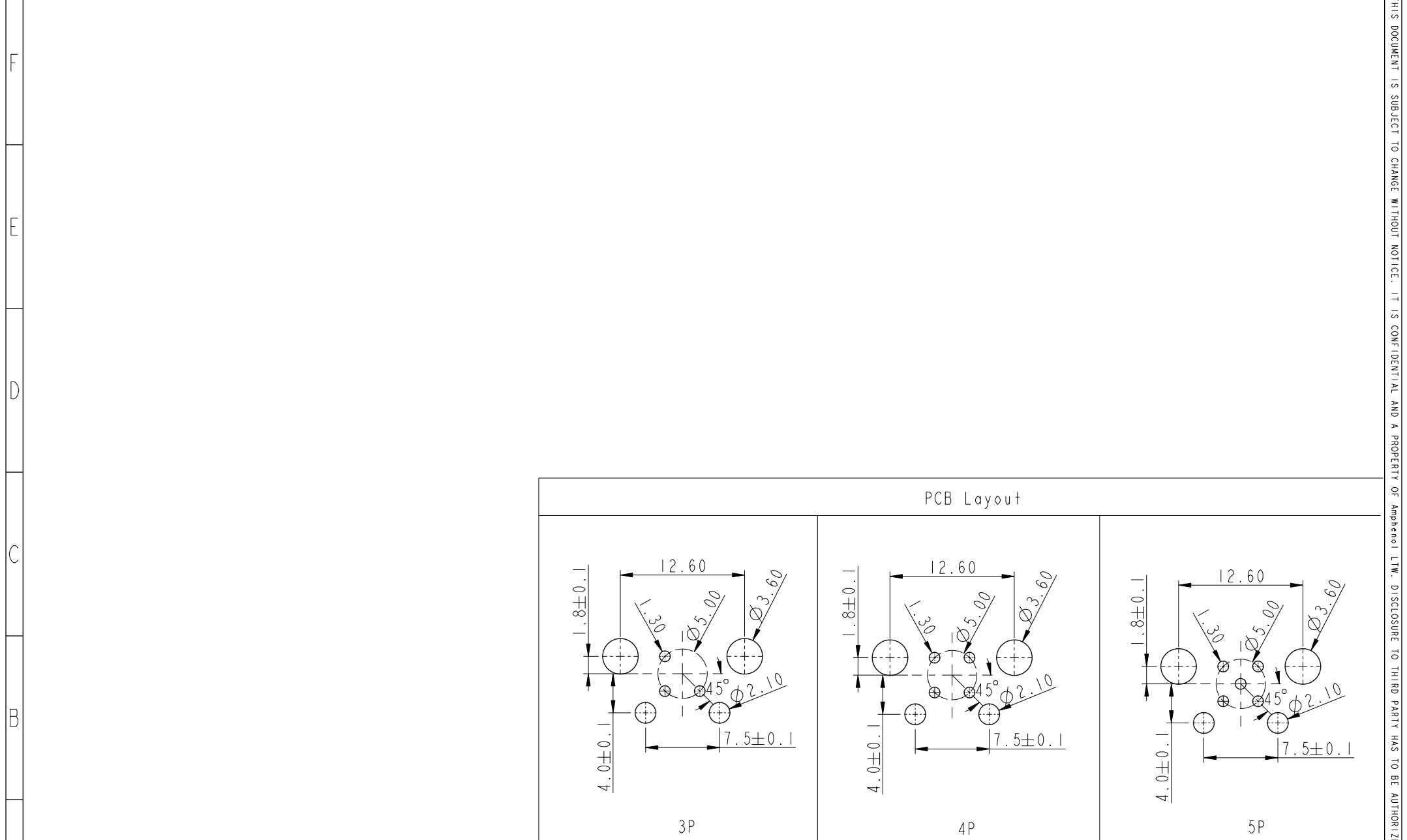
Pin Assignment Front View

| | | |
|-----------|------------|--|
| UNIT: mm | | |
| TOLERANCE | .X ±0.25 | |
| | .XX ±0.1 | |
| | .XXX ±0.05 | |
| ANGLES | ±1° | |

| | | |
|---|----------------|-----------------------|
| TITLE N SEN, M12 A -PLASTIC, SCREW RECEPTACLE, F, F, PCB R △ B | | |
| SCALE 3:2 | SIZE A4 | SHEET 1 OF 2 |
| REV. B | WC-REV. A.2 | (CC): Inspection item |

Amphenol LTW
安費諾亮泰企業股份有限公司

| | | |
|-------------------------------|-------------------------|--------------------|
| ITEM NO. | DRAWN BY Yulong_wang | DATE 2016-12-03 |
| DWG NO. MSAP-XXPFFR-SF8002 | CHECKED BY Jinhai | DATE 2016-12-03 |
| CUSTOMER ALTW | APPROVED BY Jerry | DATE 2016-12-03 |



PCB Layout

3P

4P

5P

| | | | | | | | | | |
|---|--|--|---|-------------------|-----------------|------------------------------|----------------------|--------------------|--------------------|
| A | UNIT: mm | | TITLE N SEN, M12 A -PLASTIC, SCREW RECEPTACLE, F, F, PCB R | | | DRAWN BY Yulong_wang | | DATE 2016-12-03 | |
| | <p>TOLERANCE</p> <p>.X ±0.25</p> <p>.XX ±0.1</p> <p>.XXX ±0.05</p> <p>ANGLES ±1°</p> | | SCALE 3:2 | SIZE A4 | SHEET 2 OF 2 | CHECKED BY Jinhai | | DATE 2016-12-03 | |
| REV. B | | | WC-REV. A.2 | ☉ Inspection item | | | APPROVED BY Jerry | | DATE 2016-12-03 |
| <p>Amphenol LTW</p> <p>安費諾亮泰企業股份有限公司</p> | | | | ITEM NO | | DWG NO MSAP-XXPFFR-SF8002 | | CUSTOMER ALTW | |

THIS DOCUMENT IS SUBJECT TO CHANGE WITHOUT NOTICE. IT IS CONFIDENTIAL AND A PROPERTY OF Amphenol LTW. DISCLOSURE TO THIRD PARTY HAS TO BE AUTHORIZED BY Amphenol LTW.