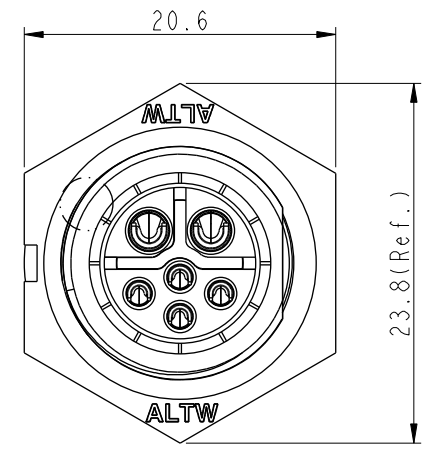
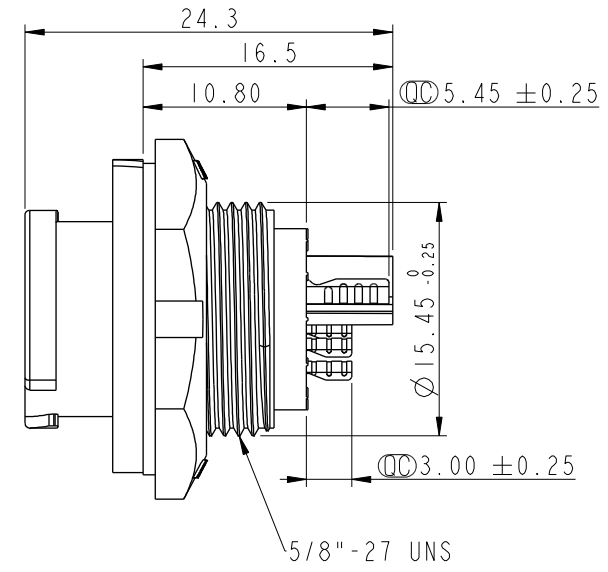
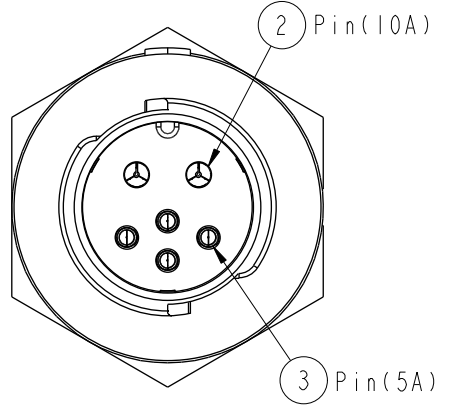


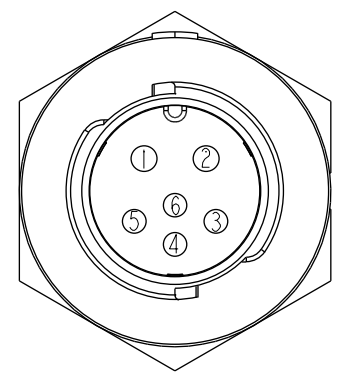
THIS DOCUMENT IS SUBJECT TO CHANGE WITHOUT NOTICE. IT IS CONFIDENTIAL AND A PROPERTY OF Amphenol LTW. DISCLOSURE TO THIRD PARTY HAS TO BE AUTHORIZED BY Amphenol LTW.

REV.	ECN NO.	DATE	SIGN	DESCRIPTION
A	Initial Release	2016/05/07	Spring	Change Rev.01 To Rev.A
B	CI90411	2019/03/14	Vicky	Change Note

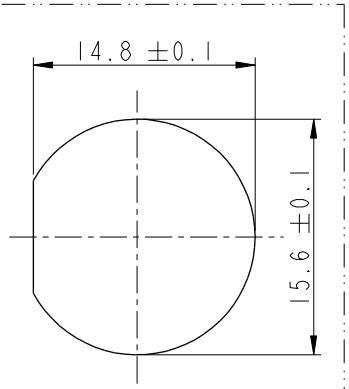
ALTW
CONFIDENTIAL
 2019-03-14
R&D DEPT.



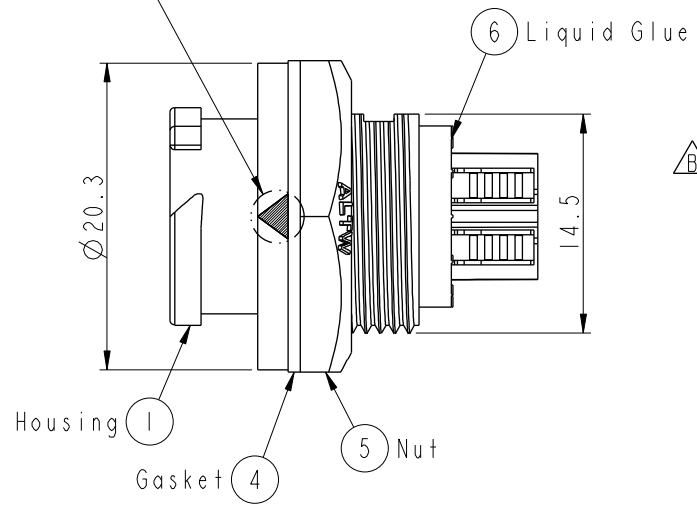
☉ White Printing



Pin Assignments
Front View



Recommended Panel
Cut-Out



- Note:**
- * ☉ Important Dimension To Check.
 - * Waterproof Rate: IP68, Unmated.
In 1 meter water within 24 hours
 - * Housing: Thermoplastic, Black.
 - * Pin: Copper Alloy, Gold Plated.
 - * Nut: Thermoplastic, Black.
 - * Gasket: Rubber, Gray.
 - * Panel Thickness Max: 4.5mm
 - * Gasket and Nut are packed separately in PE bags.

UNIT: mm		
TOLERANCE	.X ±0.25	
	.XX ±0.1	
	.XXX ±0.05	
ANGLES	±1°	

TITLE STANDARD, RECEPTACLE (REAR) X-LOK (2+4) PIN M CONN M PIN			
SCALE 2:1	SIZE A4	SHEET 1 OF 1	
REV. B	WC-REV. A.5	☉ Inspection item	

Amphenol LTW
安費諾亮泰企業股份有限公司

ITEM NO BBD-06RMMS-QC8001	DRAWN BY Vicky	DATE 2019-03-14
DWG NO BBD-06RMMS-QC8001	CHECKED BY Rita	DATE 2019-03-14
CUSTOMER ALTW	APPROVED BY Max	DATE 2019-03-14