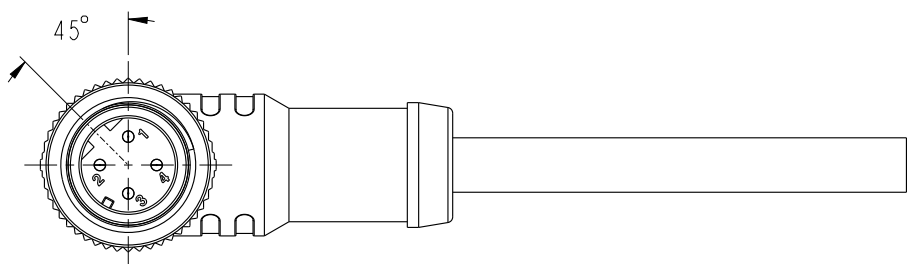
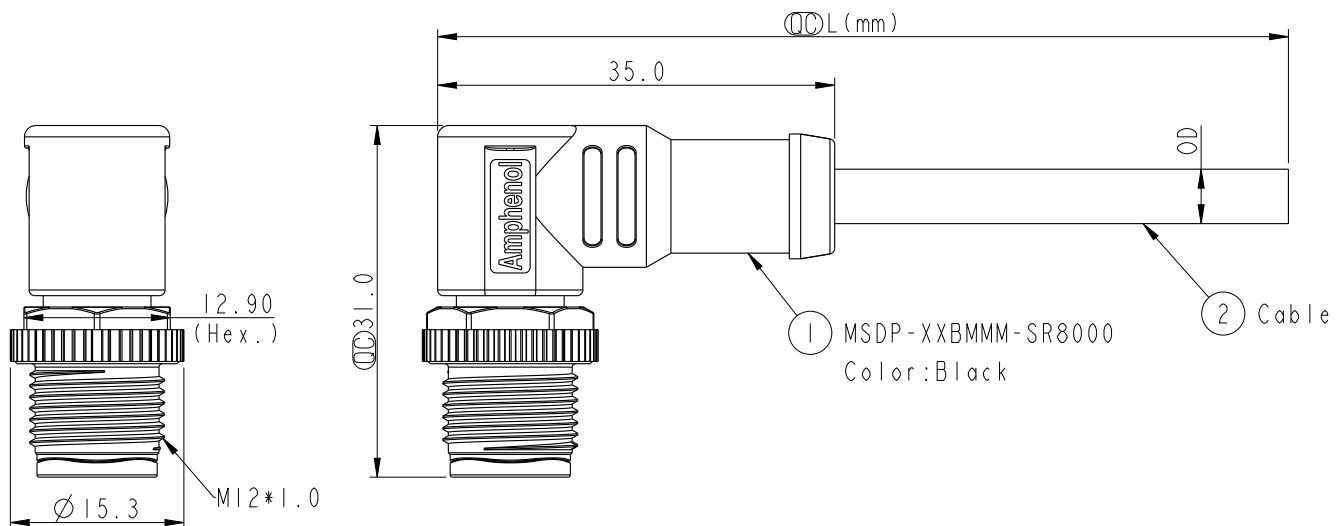


REV.	ECN NO.	DATE	SIGN	DESCRIPTION
A	Initial Release	2015/07/25	Feng_Li	Change Rev.01 To Rev.A
B	LEN16A0103-105	2016/10/14	Yulong_wang	Add 3, 5Pin, IP69K & Cat5e Cable.
C	LEN1710045-047	2017/01/07	Yulong_wang	Change the Front View.



- Notes:
- * \varnothing Important Dimension.
 - * \triangle Waterproof Rate: IP68, IP69K.
 - * Connector: PU+GF, Black.
 - * Male Pin: Copper Alloy, Gold Plated.
 - * Screw Nut: Nylon, Black.
 - * Outer Mold: PU, Black.
 - * \triangle Cable: (A) UL2517, PVC Jacket, Yellow.
(B) UL20549, PUR Jacket, Black.
(D) UL2517, PVC Jacket, Black.
(E) CAT5E, PU Jacket, Black.
 - * \triangle Rated Voltage: 3 & 4Pin 250V dc. or ac.
5Pin 60V dc. or ac.
 - * Rated Current: 4A
 - * Operating Temperature: -25~+85°C
 - * Cable Length Tolerance: 01M:±40mm
02M~05M:±60mm
06M~10M:±100mm
11M~30M:±200mm
31M~99M:±500mm

UNIT:mm		
TOLERANCE		
±0.5mm		

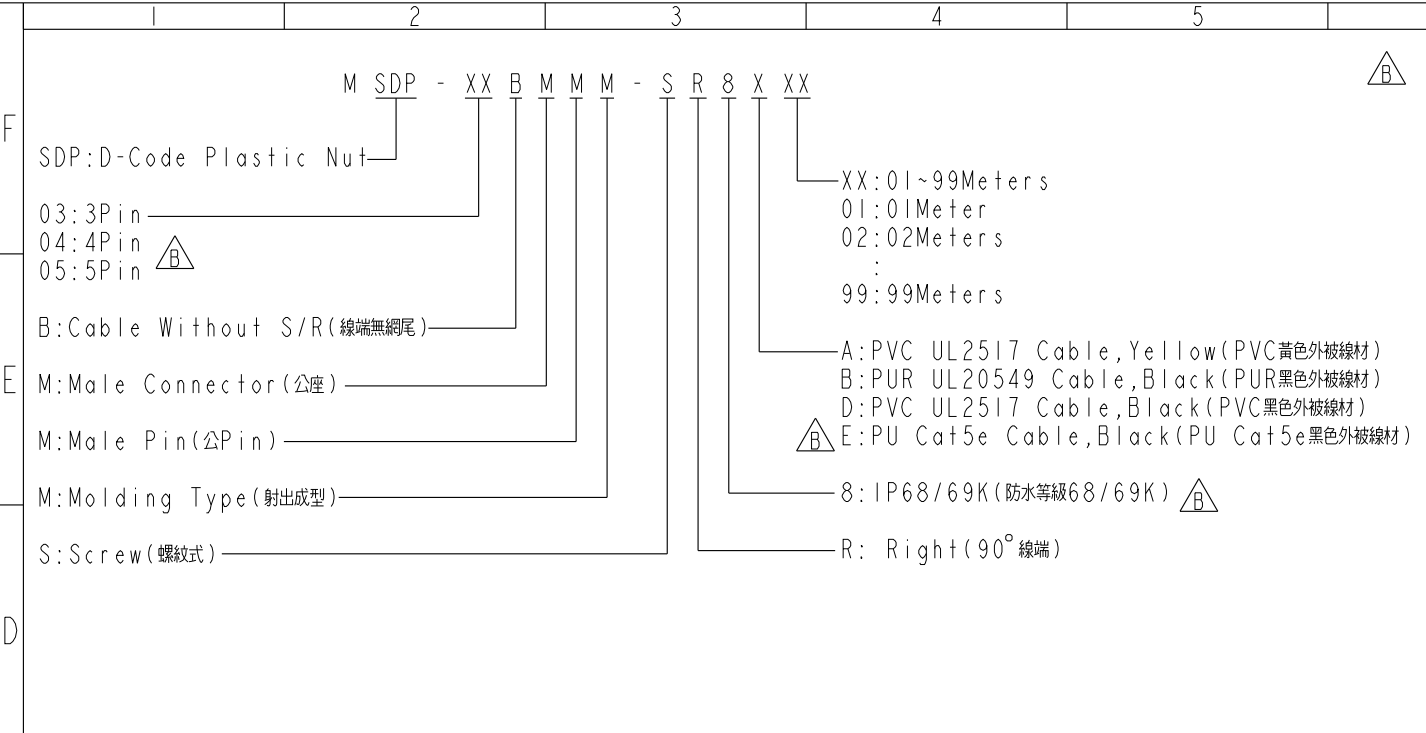
TITLE		
M12 D Type Cable 90° Male Conn.		
SCALE	SIZE	SHEET
3:2	A4	1 OF 2
REV.	WC-REV.	\varnothing : Inspection item
C	A.2	

Amphenol LTW
安費諾亮泰企業股份有限公司

ITEM NO	DRAWN BY	DATE
	Yulong_wang	2017-01-07
DWG NO	CHECKED BY	DATE
MSDP-XXBMMM-SR8XXX	Jinhai	2017-01-07
CUSTOMER	APPROVED BY	DATE
ALTW	Jerry	2017-01-07

THIS DOCUMENT IS SUBJECT TO CHANGE WITHOUT NOTICE. IT IS CONFIDENTIAL AND A PROPERTY OF Amphenol LTW. DISCLOSURE TO THIRD PARTY HAS TO BE AUTHORIZED BY Amphenol LTW.

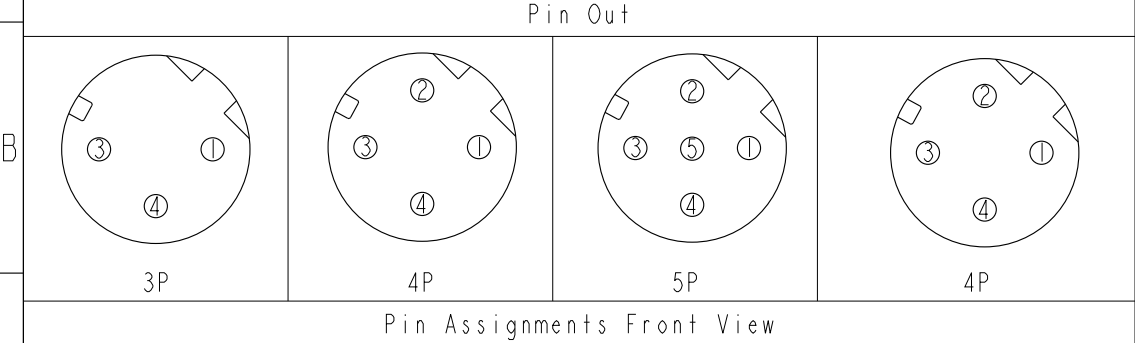
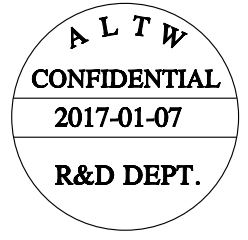
THIS DOCUMENT IS SUBJECT TO CHANGE WITHOUT NOTICE. IT IS CONFIDENTIAL AND A PROPERTY OF Amphenol LTW. DISCLOSURE TO THIRD PARTY HAS TO BE AUTHORIZED BY Amphenol LTW.



4P	PU	6.2	22	MSDP-04BMMM-SR8EXX	
5P	PVC	5.1		MSDP-05BMMM-SR8DXX	
4P		4.8		MSDP-04BMMM-SR8DXX	
3P		4.5		MSDP-03BMMM-SR8DXX	
5P	PUR	4.4		MSDP-05BMMM-SR8BXX	
4P		4.0		MSDP-04BMMM-SR8BXX	
3P		3.8		MSDP-03BMMM-SR8BXX	
5P	PVC	5.1		MSDP-05BMMM-SR8AXX	
4P		4.8		MSDP-04BMMM-SR8AXX	
3P		4.5		MSDP-03BMMM-SR8AXX	
Contacts	Cable Jacket	Cable OD		AWG	Item No.

5	--	5	--	5	Gray	灰		
4	Black	4	Black	4	Black	黑	4	Green
3	Blue	3	Blue	3	Blue	藍	2	White/Green
2	--	2	White	2	White	白	3	Orange
1	Brown	1	Brown	1	Brown	棕	1	White/Orange
Pin #	Wire	Pin #	Wire	Pin #	Wire		Pin #	Wire (Cat5e)

Twist 對線
Twist 對線



UNIT: mm		TITLE
TOLERANCE	±0.5mm	M12 D Type Cable 90° Male Conn.
SCALE	3:2	SIZE
REV.	C	WC-REV.
		A.2
		QC: Inspection item

Amphenol LTW
安費諾亮泰企業股份有限公司

ITEM NO	DRAWN BY	DATE
DWG NO	CHECKED BY	DATE
CUSTOMER	APPROVED BY	DATE
MSDP-XXBMMM-SR8XXX	Yulong_wang	2017-01-07
ALTW	Jinhai	2017-01-07
	Jerry	2017-01-07