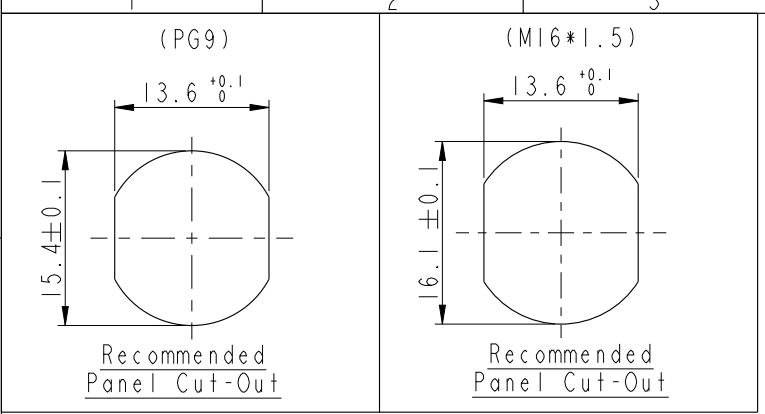
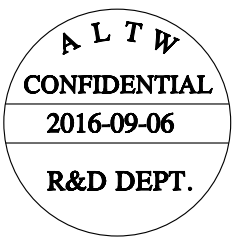
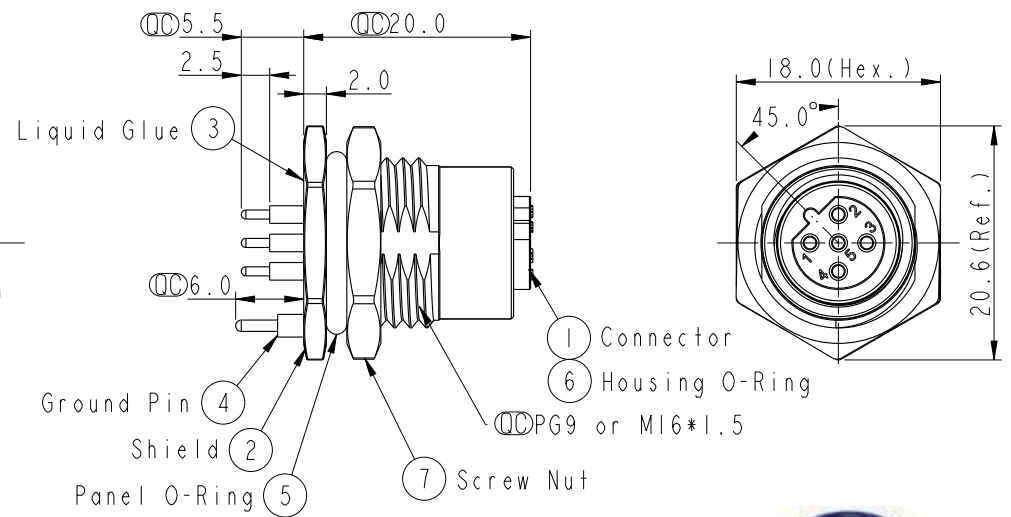
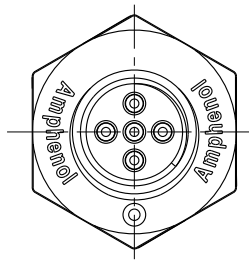


THIS DOCUMENT IS SUBJECT TO CHANGE WITHOUT NOTICE. IT IS CONFIDENTIAL AND A PROPERTY OF Amphenol LTW. DISCLOSURE TO THIRD PARTY HAS TO BE AUTHORIZED BY Amphenol LTW.

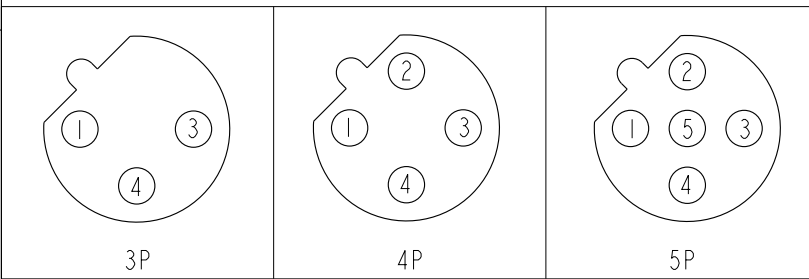
REV.	ECN NO.	DATE	SIGN	DESCRIPTION
B	LEN1580039-040	2015/07/26	Yulong_wang	Change to Share Drawing.
C	LEN1690064-065	2016/09/06	Yulong_wang	Add 3, 4 Pin & IP69K.



⚠



- Note:
- * Ⓞ Important Dimension.
 - ⚠ * Waterproof Rate: IP68, IP69K.
 - * Housing: Nylon+GF, Black.
 - * Female Pin: Copper Alloy, Gold Plated.
 - * Shield: Zinc Alloy, Nickel Plated.
 - * Ground Pin: Copper Alloy, Gold Plated.
 - * Screw Nut: Zinc Alloy, Nickel Plated.
 - * Panel O-Ring: Viton, Black.
 - * Housing O-Ring: Viton, Green.
 - ⚠ * Rated Voltage: 3 & 4Pin 250V dc. or ac.
5Pin 60V dc. or ac.
 - * Rated Current: 4A
 - * Operating Temperature: -40~+105°C
 - * For Panel Thickness Max 4.5mm.
 - * Recommended Nut Torque: 4-6 Kgf.cm.



⚠

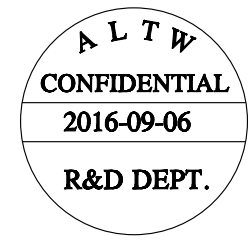
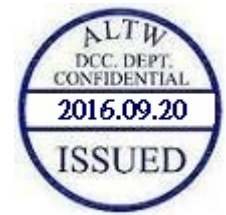
Pin Assignment Front View

UNIT: mm		TITLE M12 B-Code Female Conn. PCB Type Shielded
TOLERANCE .X ±0.25 .XX ±0.1 .XXX ±0.05 ANGLES ±1°	SCALE 3:2	SIZE A4
	REV. C	SHEET 1 OF 2
	WC-REV. A.5	Ⓞ: Inspection item

Amphenol LTW
安費諾亮泰企業股份有限公司

ITEM NO.	DRAWN BY Yulong_wang	DATE 2016-09-06
DWG NO. MSBS-XXPFFP-SF8XXX	CHECKED BY Jinhai	DATE 2016-09-06
CUSTOMER ALTW	APPROVED BY Jerry	DATE 2016-09-06

THIS DOCUMENT IS SUBJECT TO CHANGE WITHOUT NOTICE. IT IS CONFIDENTIAL AND A PROPERTY OF Amphenol LTW. DISCLOSURE TO THIRD PARTY HAS TO BE AUTHORIZED BY Amphenol LTW.



M SBS - XX P F F P - S F 8 XXX

SBS: B-Code Shielded

03: 3Pin
 04: 4Pin \triangle
 05: 5Pin

P: Panel (板端)

F: Female Connector (母座)

F: Female Pin (母Pin)

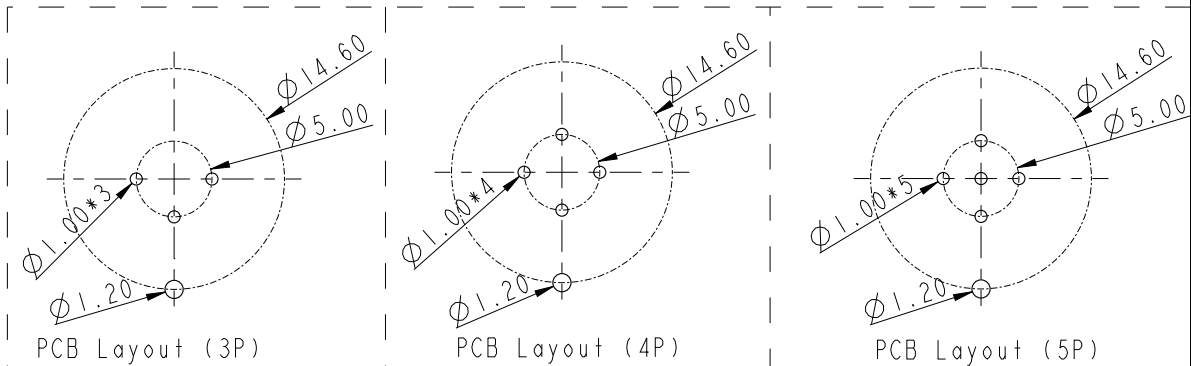
001: PG9
 002: M16*1.5

8: IP68/69K (防水等級68/69K) \triangle

F: Front Fasten (前鎖式/Enclosure Rear Mount)

S: Screw (螺紋式)

P: PCB THT/DIP Type (180° 基板插件式)



UNIT: mm		
TOLERANCE	.X	± 0.25
	.XX	± 0.1
	.XXX	± 0.05
ANGLES		$\pm 1^\circ$

TITLE M12 B-Code Female Conn. PCB Type Shielded			
SCALE 3:2	SIZE A4	SHEET 2 OF 2	
REV. C	WC-REV. A.4	: Inspection item	

Amphenol LTW
 安費諾亮泰企業股份有限公司

ITEM NO	DRAWN BY Yulong_wang	DATE 2016-09-06
DWG NO MSBS-XXPFFP-SF8XXX	CHECKED BY Jinhai	DATE 2016-09-06
CUSTOMER ALTW	APPROVED BY Jerry	DATE 2016-09-06