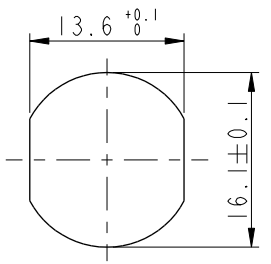


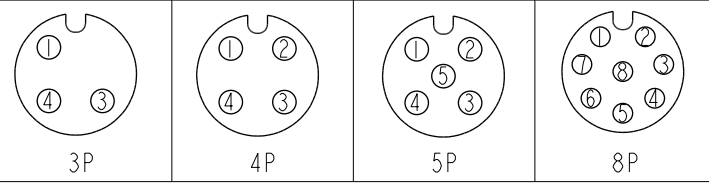
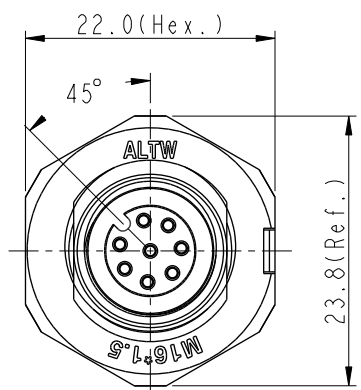
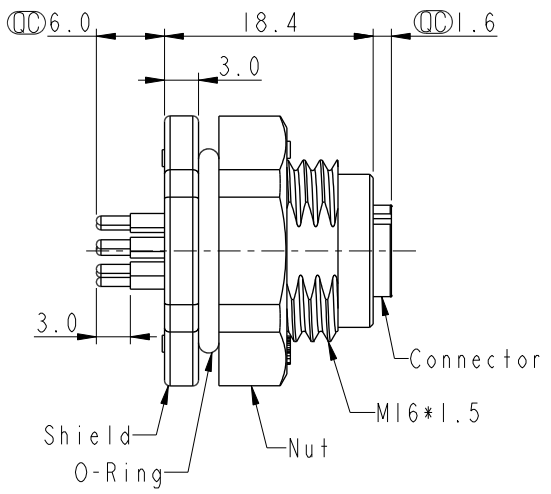
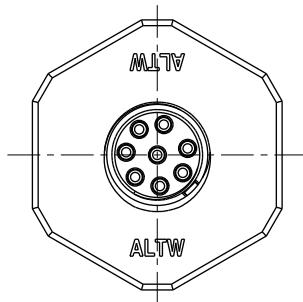
THIS DOCUMENT IS SUBJECT TO CHANGE WITHOUT NOTICE. IT IS CONFIDENTIAL AND A PROPERTY OF Amphenol LTW. DISCLOSURE TO THIRD PARTY HAS TO BE AUTHORIZED BY Amphenol LTW.

REV.	ECN NO.	DATE	SIGN	DESCRIPTION
B	LEN1790329-32	2017/09/19	Lingpeng	Modify The Item No
C	C201071	2020/07/14	Nan_Su	$\triangle C$ X1
D	C210309	2021/03/04	Ruru	$\triangle D$ X4



$\triangle D$
MSAP-XXPFFP-SF8002
XX: No. Of Pin

Recommended
Panel Cut-Out



Pin Assignment Front View

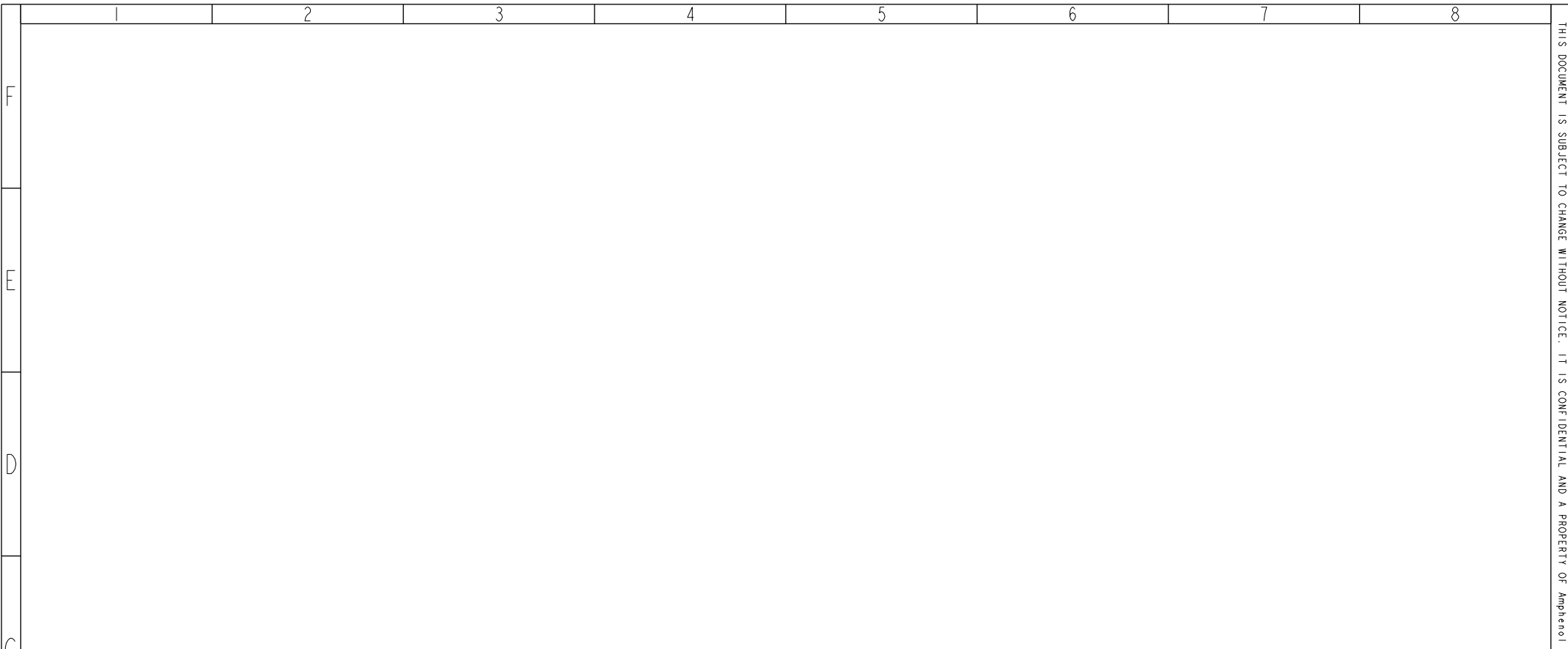
- $\triangle D$ Note:
- * RoHS Compliant
 - * CC Important dimension
 - * Waterproof rate: IPX8, unmated 1m/24h
 - * Connector
 - Housing: Thermoplastic, Black
 - Pin: Copper alloy, Gold plated
 - O-Ring: Rubber, Gray
 - * Shield: Thermoplastic, Black
 - * Nut: Thermoplastic, Black
 - * O-Ring: Rubber, Gray
 - * For panel thickness max: 4.0mm
 - * Nut is packed separately in pe bag

UNIT: mm			TITLE N SEN, M12 A -PLASTIC, SCREW RECEPTACLE, F, F, PCB S $\triangle D$
TOLERANCE .X ±0.25 .XX ±0.1 .XXX ±0.05 ANGLES ±1°	SCALE 3:2	SIZE A4	SHEET 1 OF 2
	REV. D	WC-REV. .0	CC : Inspection item

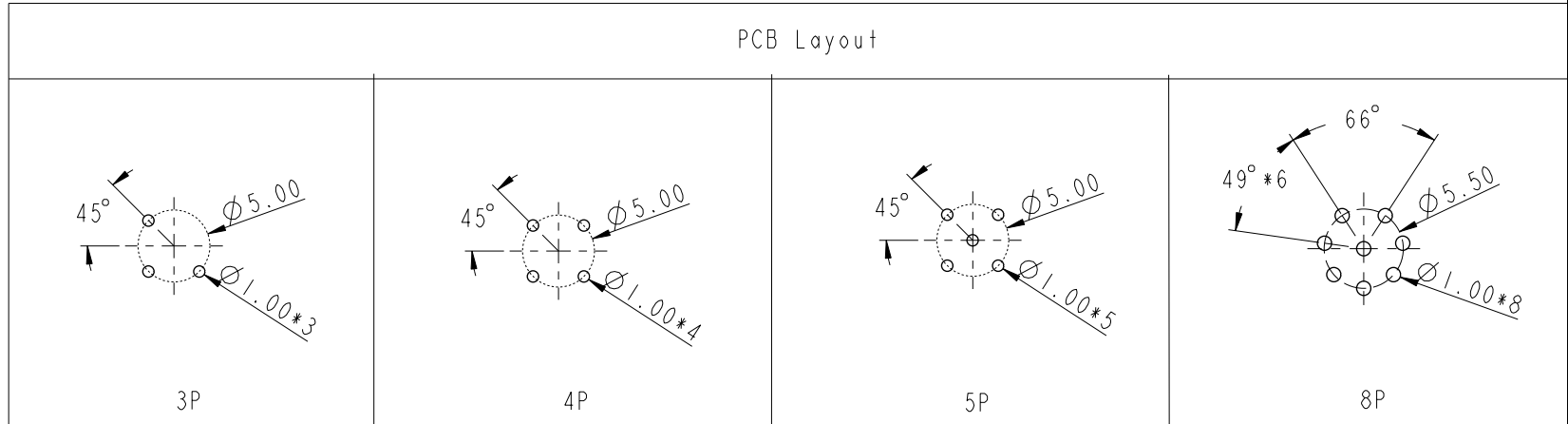
Amphenol LTW
安費諾亮泰企業股份有限公司

ITEM NO	DRAWN BY Lingpeng	DATE 2017-09-19
DWG NO MSAP-XXPFFP-SF8002	CHECKED BY Mafei	DATE 2017-09-19
CUSTOMER ALTW	APPROVED BY Jerry	DATE 2017-09-19

THIS DOCUMENT IS SUBJECT TO CHANGE WITHOUT NOTICE. IT IS CONFIDENTIAL AND A PROPERTY OF Amphenol LTW. DISCLOSURE TO THIRD PARTY HAS TO BE AUTHORIZED BY Amphenol LTW.



PCB Layout



A	UNIT: mm				TITLE N SEN, M12 A -PLASTIC, SCREW RECEPTACLE, F, F, PCB S		ITEM NO _____		DRAWN BY Lingpeng		DATE 2017-09-19	
	TOLERANCE .X ±0.25 .XX ±0.1 .XXX ±0.05 ANGLES ±1°		SCALE 3:2 SIZE A4 SHEET 2 OF 2		<h1 style="margin: 0;">Amphenol LTW</h1> <h2 style="margin: 0;">安費諾亮泰企業股份有限公司</h2>		DWG NO MSAP-XXPFFP-SF8002		CHECKED BY Mafei		DATE 2017-09-19	
			REV. D WC-REV. .0 : Inspection item				CUSTOMER ALTW		APPROVED BY Jerry		DATE 2017-09-19	