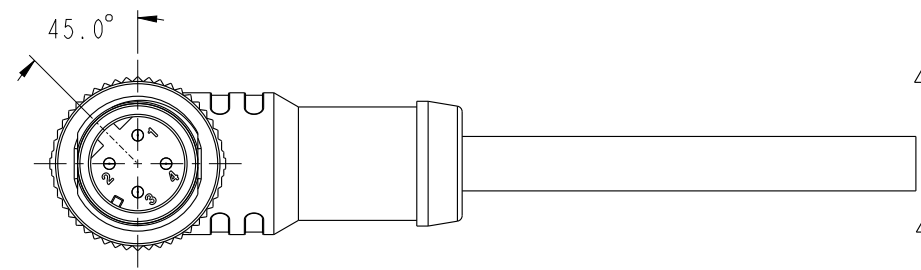
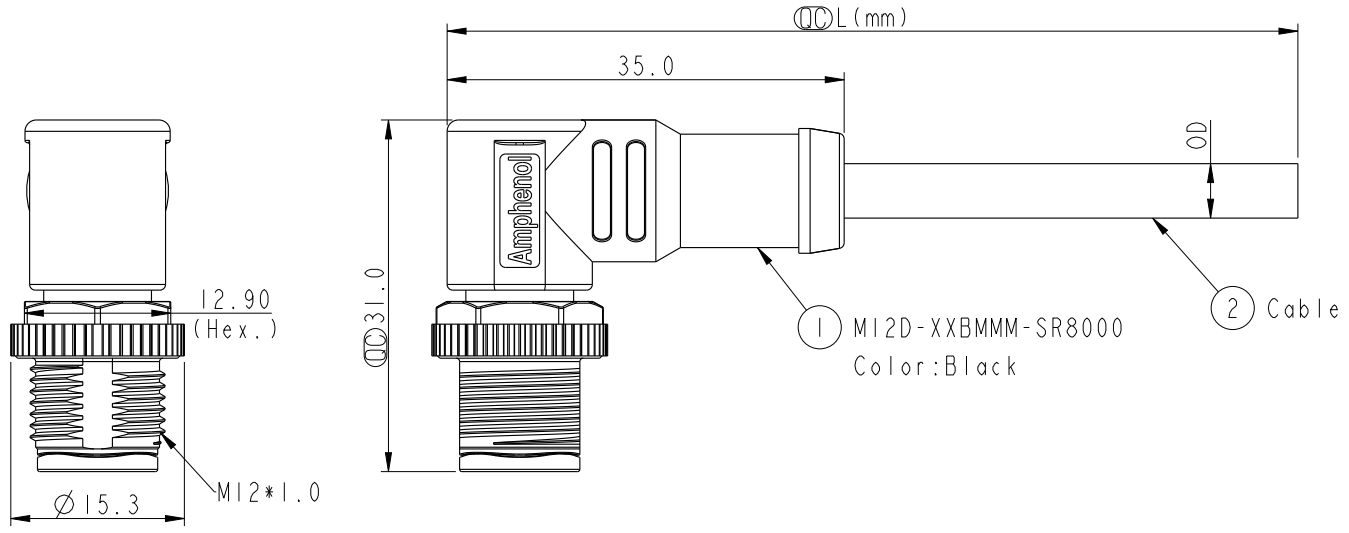
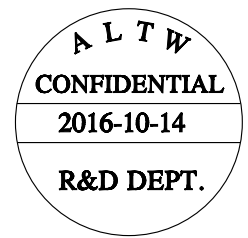


REV.	ECN NO.	DATE	SIGN	DESCRIPTION
A	Initial Release	2015/07/25	Feng_Li	Change Rev.01 To Rev.A
B	LEN16A0091-093	2016/08/25	Yulong_wang	Add 3, 5Pin, IP69K & Cat5e Cable.



- Notes:
- \*  $\varnothing$  Important Dimension.
  - \* Waterproof Rate: IP68, IP69K.
  - \* Connector: PU+GF, Black.
  - \* Male Pin: Copper Alloy, Gold Plated.
  - \* Screw Nut: Zinc Alloy, Nickel Plated.
  - \* Outer Mold: PU, Black.
  - \* Cable: (A) UL2517, PVC Jacket, Yellow.  
(B) UL20549, PUR Jacket, Black.  
(D) UL2517, PVC Jacket, Black.  
(E) CAT5E, PU Jacket, Black.
  - \* Rated Voltage: 3 & 4Pin 250V dc. or ac.  
5Pin 60V dc. or ac.
  - \* Rated Current: 4A
  - \* Operating Temperature: -25~+85°C
  - \* Cable Length Tolerance: 01M:±40mm  
02M~05M:±60mm  
06M~10M:±100mm  
11M~30M:±200mm  
31M~99M:±500mm

UNIT:mm  
TOLERANCE  
±0.5mm

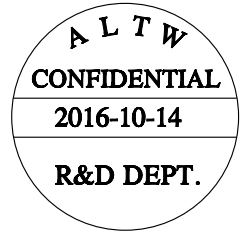
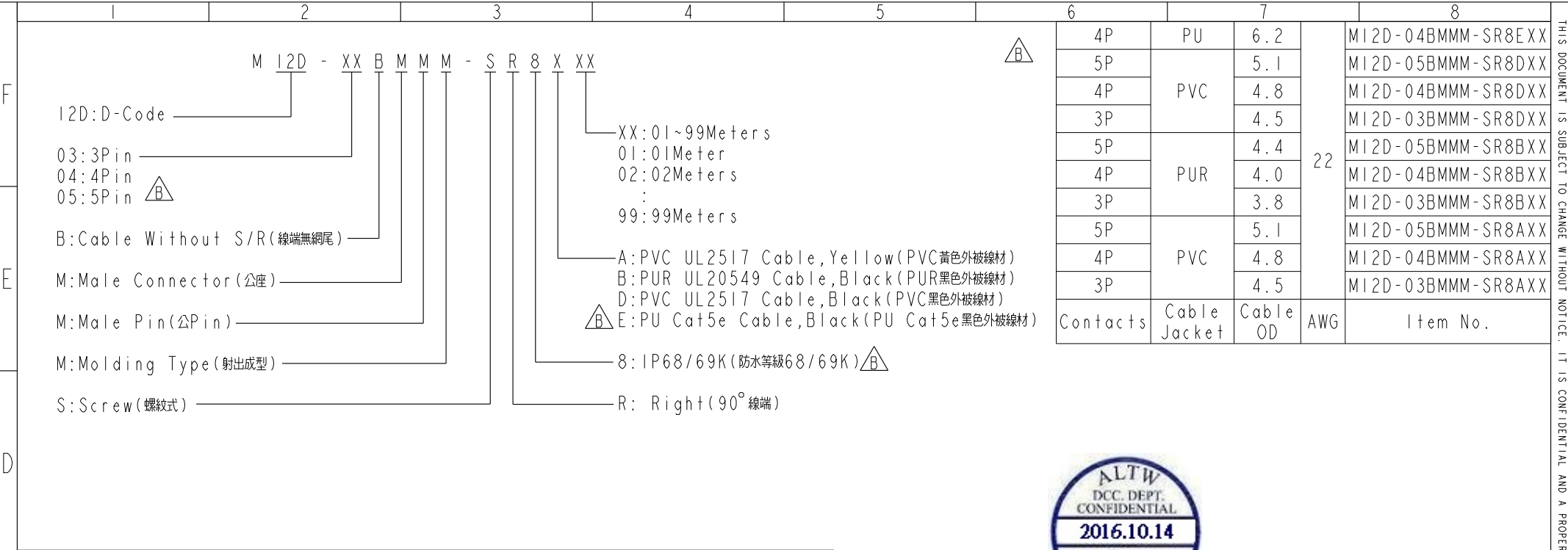
TITLE M12 D Type Cable 90° Male Conn.			
SCALE 3:2	SIZE A4	SHEET 1 OF 2	
REV. B	WC-REV. A.2	$\varnothing$ : Inspection item	

**Amphenol LTW**  
安費諾亮泰企業股份有限公司

ITEM NO	DRAWN BY Yulong_wang	DATE 2016-10-14
DWG NO M12D-XXBMMM-SR8XXX	CHECKED BY Jinhai	DATE 2016-10-14
CUSTOMER ALTW	APPROVED BY Jerry	DATE 2016-10-14

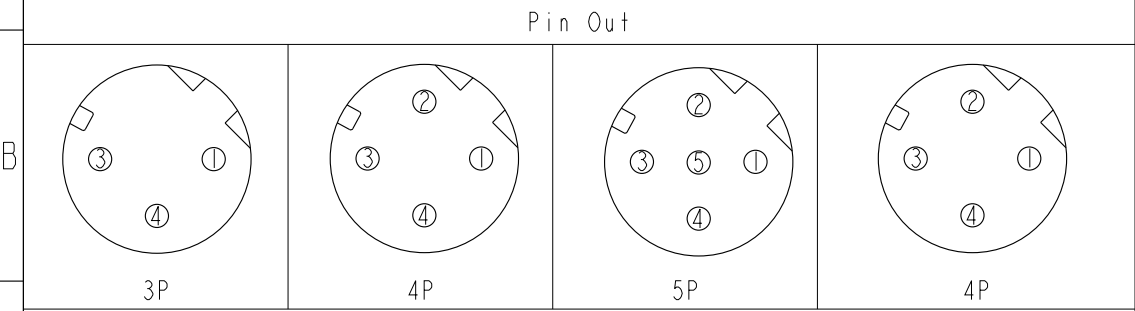
THIS DOCUMENT IS SUBJECT TO CHANGE WITHOUT NOTICE. IT IS CONFIDENTIAL AND A PROPERTY OF Amphenol LTW. DISCLOSURE TO THIRD PARTY HAS TO BE AUTHORIZED BY Amphenol LTW.

THIS DOCUMENT IS SUBJECT TO CHANGE WITHOUT NOTICE. IT IS CONFIDENTIAL AND A PROPERTY OF Amphenol LTW. DISCLOSURE TO THIRD PARTY HAS TO BE AUTHORIZED BY Amphenol LTW.



5	--	5	--	5	Gray	灰			
4	Black	4	Black	4	Black	黑	4	Green	綠
3	Blue	3	Blue	3	Blue	藍	2	White/Green	白/綠
2	--	2	White	2	White	白	3	Orange	橙
1	Brown	1	Brown	1	Brown	棕	1	White/Orange	白/橙
Pin #	Wire	Pin #	Wire	Pin #	Wire		Pin #	Wire (Cat5e)	

Twist 對線  
Twist 對線



Pin Assignments Front View

UNIT: mm TOLERANCE ±0.5mm	TITLE M12 D Type Cable 90° Male Conn.		Amphenol LTW 安費諾亮泰企業股份有限公司		ITEM NO	DRAWN BY Yulong_wang	DATE 2016-10-14
	SCALE 3:2	SIZE A4			SHEET 2 OF 2	DWG NO M12D-XXBMMM-SR8XXX	CHECKED BY Jinhai
	REV. B	WC-REV. A.2	QC: Inspection item	CUSTOMER ALTW	APPROVED BY Jerry	DATE 2016-10-14	