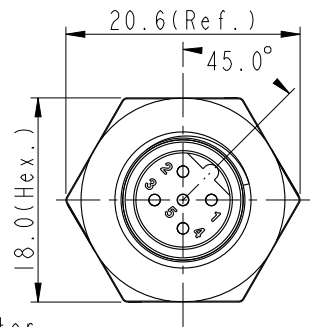
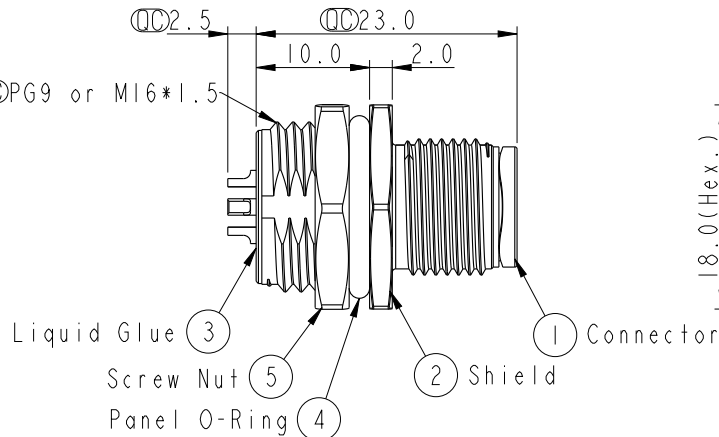
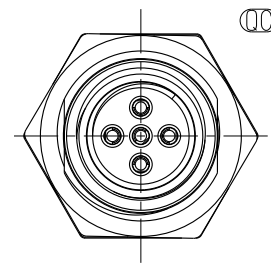
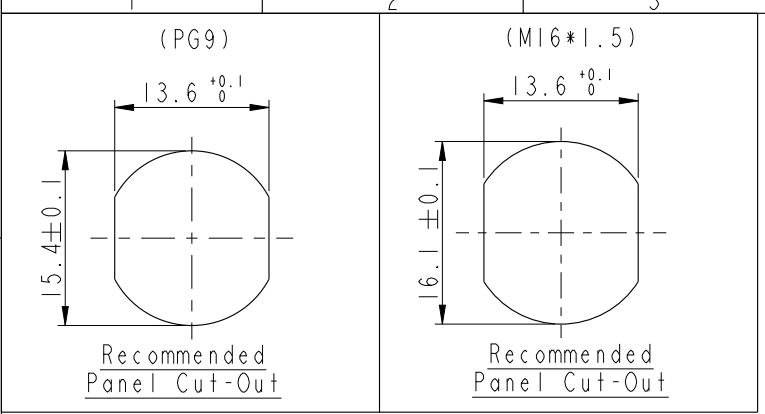


THIS DOCUMENT IS SUBJECT TO CHANGE WITHOUT NOTICE. IT IS CONFIDENTIAL AND A PROPERTY OF Amphenol LTW. DISCLOSURE TO THIRD PARTY HAS TO BE AUTHORIZED BY Amphenol LTW.

REV.	ECN NO.	DATE	SIGN	DESCRIPTION
B	LEN1580035-036	2015/07/26	Yulong_wang	Change to Share Drawing.
C	LEN1690058-059	2016/09/05	Yulong_wang	Add 3, 4 Pin & IP69K.

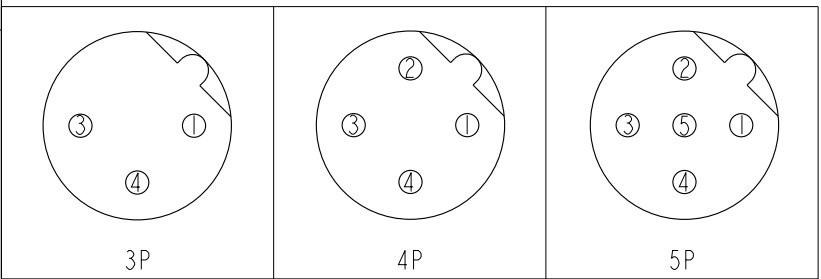
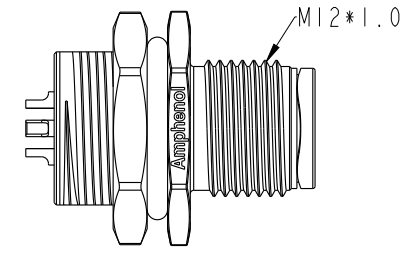


M 12B - XX P M M S - S H 8 XXX

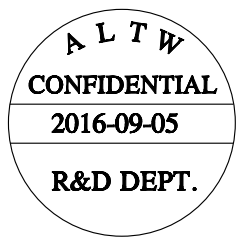
12B: B-Code  
 03: 3Pin  
 04: 4Pin  
 05: 5Pin

P: Panel (板端)  
 M: Male Connector (公座)  
 M: Male Pin (公Pin)

001: PG9  
 002: M16\*1.5  
 8: IP68/69K (防水等級68/69K)  
 H: Rear Fasten (后鎖式/Enclosure Front Mount)  
 S: Screw (螺紋式)  
 S: Solder Type (焊接式)



Pin Assignment Front View



- Note:
- \*  $\varnothing$  Important Dimension.
  - \* Waterproof Rate: IP68, IP69K.
  - \* Housing: Nylon+GF, Black.
  - \* Male Pin: Copper Alloy, Gold Plated.
  - \* Shield: Zinc Alloy, Nickel Plated.
  - \* Screw Nut: Zinc Alloy, Nickel Plated.
  - \* Panel O-Ring: Viton, Black.
  - \* Rated Voltage: 3 & 4Pin 250V dc. or ac.  
5Pin 60V dc. or ac.
  - \* Rated Current: 4A
  - \* Operating Temperature: -40~+105°C
  - \* For Panel Thickness Max 4.5mm.
  - \* Recommended Nut Torque: 4-6 Kgf.cm.

UNIT: mm		TITLE M12 B-Code Male Conn. Solder Rear Type
TOLERANCE .X ±0.25 .XX ±0.1 .XXX ±0.05 ANGLES ±1°	SCALE 3:2	SIZE A4
	REV. C	SHEET 1 OF 1
	WC-REV. A.5	QC: Inspection item

**Amphenol LTW**  
 安費諾亮泰企業股份有限公司

ITEM NO.	DRAWN BY Yulong_wang	DATE 2016-09-05
DWG NO. M12B-XXPMS-SH8XXX	CHECKED BY Jinhai	DATE 2016-09-05
CUSTOMER ALTW	APPROVED BY Jerry	DATE 2016-09-05