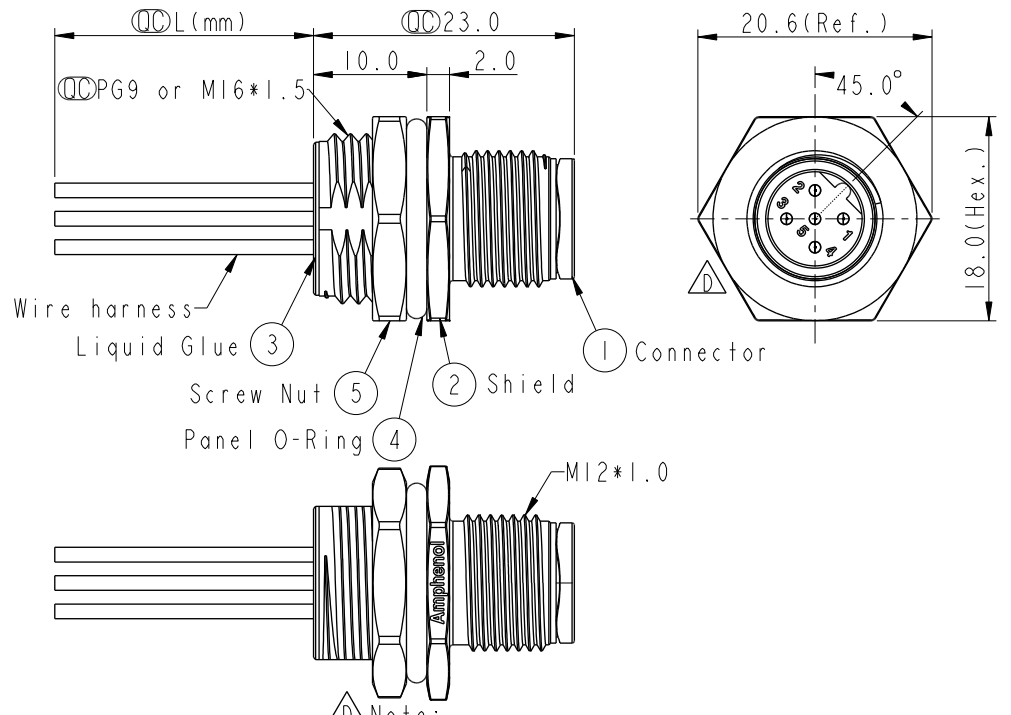
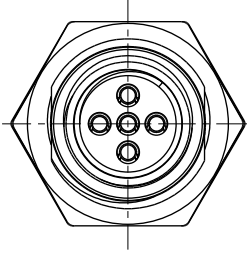
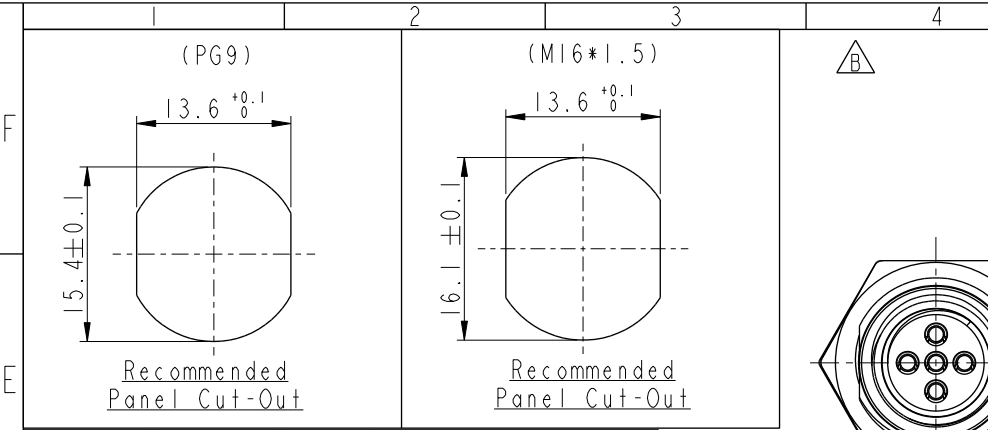


THIS DOCUMENT IS SUBJECT TO CHANGE WITHOUT NOTICE. IT IS CONFIDENTIAL AND A PROPERTY OF Amphenol LTW. DISCLOSURE TO THIRD PARTY HAS TO BE AUTHORIZED BY Amphenol LTW.

REV.	ECN NO.	DATE	SIGN	DESCRIPTION
C	C191656	2019/09/19	Ruru	Update Wire Tolerance
D	C200844	2020/06/10	Ruru	△D X4



5P	UL1061	22	M12B-05PMMC-SH8BXX M12B-05PMMC-SH8CXX
Contacts	Wire harness	AWG	Item No.

5	Gray	灰
4	Black	黑
3	Blue	藍
2	White	白
1	Brown	棕

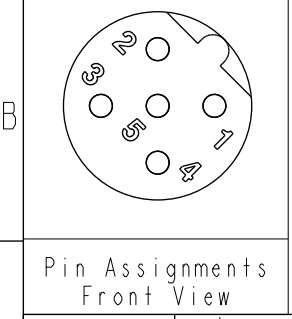
M 12 B - 05 P M M C - S H 8 X XX △C △D

B: PG9
C: M16*1.5

15: 150mm
20: 200mm
95: 950mm
Cable Pitch Unit=50mm
A0: 1000mm
A5: 1500mm
Cable Pitch Unit=100mm
Wire Length (L): 150~1500 mm



- △D Note:
- * ∅ Important Dimension.
 - * Waterproof Rate: IP68
 - * Housing: Thermoplastic, Black
 - * Male Pin: Copper Alloy, Gold Plated
 - * Shield: Zinc Alloy, Nickel Plated.
 - * Screw Nut: Zinc Alloy, Nickel Plated
 - * Panel O-Ring: Rubber, Black
 - * Wire harness: UL1061
 - * Rated Voltage: 60V dc. or ac.
 - * Rated Current: 4A
 - * Operating Temperature: -25~85°C
 - * For Panel Thickness Max 4.5mm.
 - * Recommended Nut Torque: 4-6 Kgf.cm.
 - * Wire harness Tolerance: 150~300±15mm
301~1000±20mm
Over1000 ±50/-0mm



UNIT:mm			TITLE N SEN, M12 B, 05P, SCREW RECEPTACLE, M, M, FI CRIMP △D
TOLERANCE .X ±0.25 .XX ±0.1 .XXX ±0.05 ANGLES ±1°	SCALE 2:1	SIZE A4	SHEET 1 OF 1
	REV. D	WC-REV. A.5	∅: Inspection item

Amphenol LTW
安費諾亮泰企業股份有限公司

ITEM NO	DRAWN BY	DATE
DWG NO M12B-05PMMC-SH8XXX	Ruru	2019-09-19
CUSTOMER	CHECKED BY	DATE
ALTW	Rita	2019-09-19
	APPROVED BY	DATE
	Max	2019-09-19