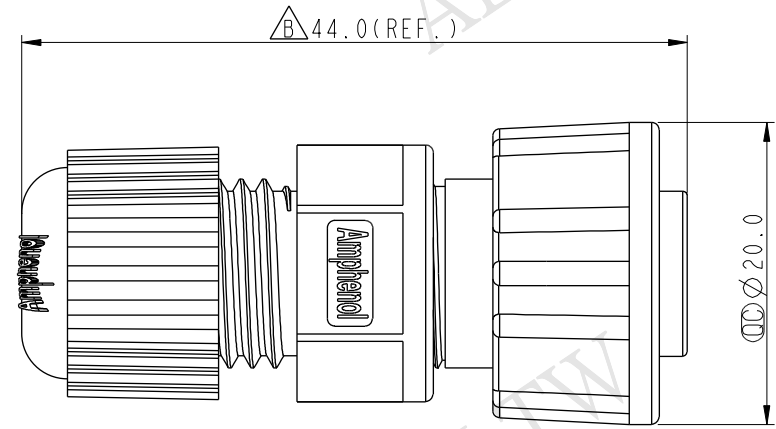
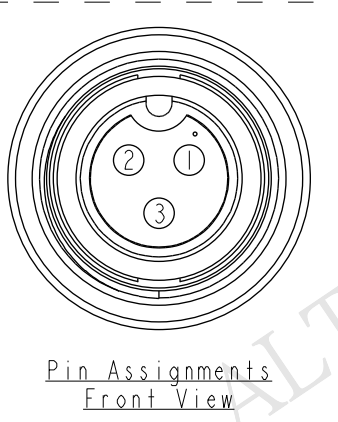
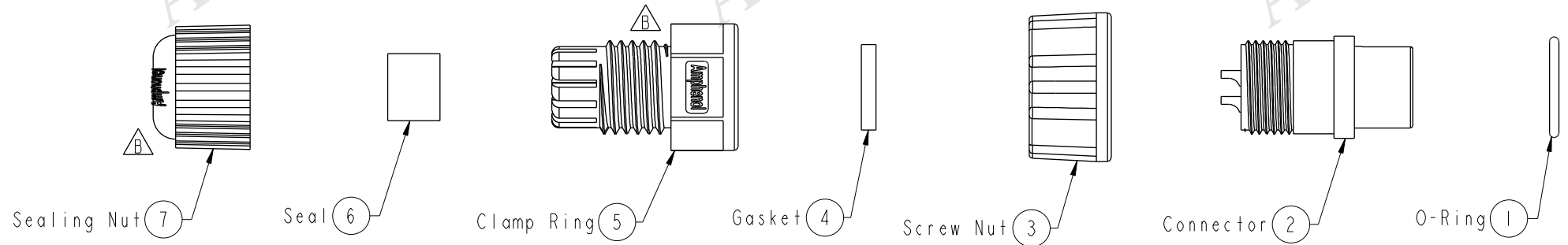


THIS DOCUMENT IS SUBJECT TO CHANGE WITHOUT NOTICE. IT IS CONFIDENTIAL AND A PROPERTY OF Amphenol LTW. DISCLOSURE TO THIRD PARTY HAS TO BE AUTHORIZED BY Amphenol LTW.

REV.	ECN NO.	DATE	SIGN	DESCRIPTION
B	LEN14C0030	2014/11/20	Vicky	Update Logo & Dimension

ALTW
 CONFIDENTIAL
 2014-11-20
 R&D DEPT.

ALTW
 DCC. DEPT.
 CONFIDENTIAL
 2014.12.03
 ISSUED



- Note:
- * CC Important Dimension To Check.
 - * Waterproof Rate: IP67
 - * Housing: Nylon+GF, Black
 - * Male Pin: Copper Alloy, Gold Plated
 - * O-Ring: EPDM, Black
 - * Screw Nut: Nylon+GF, Black
 - * Gasket: EPDM, Black
 - * Clamp Ring: Nylon, Black
 - * Seal: EPDM, Black
 - * Sealing Nut: Nylon, Black
 - * Seal For Cable OD: $\varnothing 4.5\text{mm} \sim \varnothing 6.5\text{mm}$
(防水墊圈線徑: $\varnothing 4.5\text{mm} \sim \varnothing 6.5\text{mm}$)
 - * One Set Unassembled In One PE Bag
(每一組未組裝, 放置於一個PE袋, 並封口)

UNIT:mm	
TOLERANCE	
.X	± 0.25
.XX	± 0.1
.XXX	± 0.05
ANGLES	$\pm 1^\circ$

TITLE Standard Assy Screw 3P F CONN M PIN			
SCALE 5:4	SIZE A4	SHEET 1 OF 1	
REV. B	WC-REV. A.2	CC : Inspection item	

Amphenol LTW
 安費諾亮泰企業股份有限公司

ITEM NO. BD-03BFMA-SL7001	DRAWN BY Vicky	DATE 2014-11-20
DWG NO. BD-03BFMA-SL7001	CHECKED BY Sam	DATE 2014-11-20
CUSTOMER ALTW	APPROVED BY Rita	DATE 2014-11-20