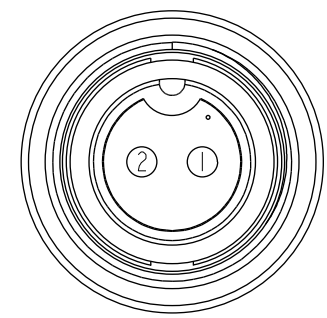
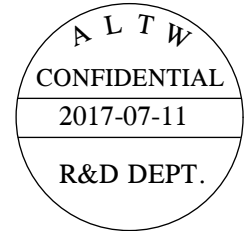
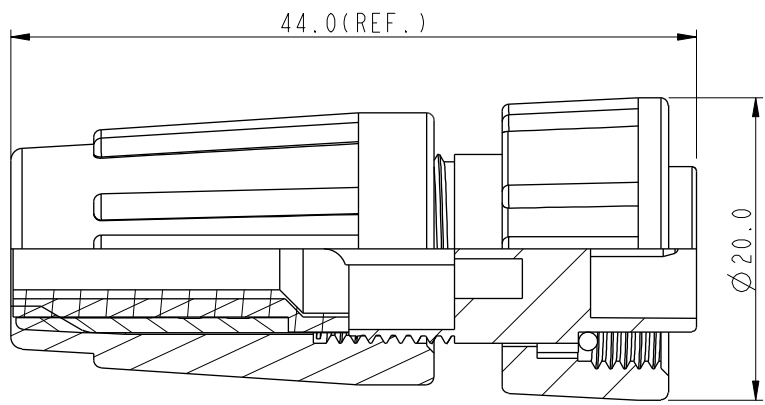
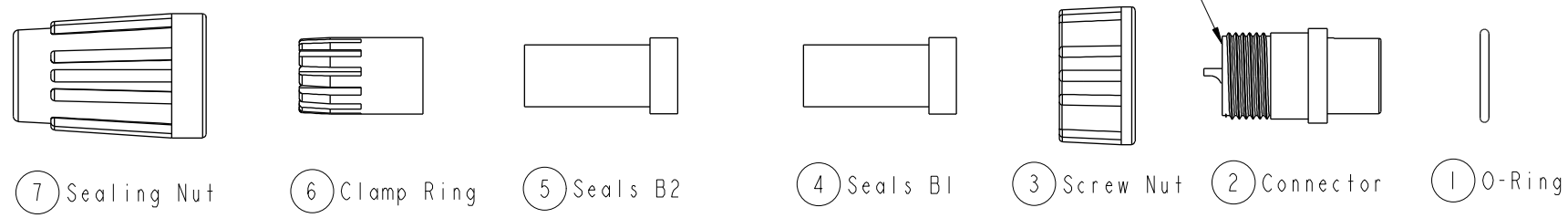


THIS DOCUMENT IS SUBJECT TO CHANGE WITHOUT NOTICE. IT IS CONFIDENTIAL AND A PROPERTY OF Amphenol LTW. DISCLOSURE TO THIRD PARTY HAS TO BE AUTHORIZED BY Amphenol LTW.

REV.	ECN NO.	DATE	SIGN	DESCRIPTION
B	LEN1770151	2017/07/11	Vicky	Update Note



Pin Assignments
Front View 前視圖

- Note:
- * CC Important Dimension
 - * Waterproof Rate: IP66
 - * Ring: EPDM, Black
 - * Housing: Nylon+GF, Black
 - * Male Pin: Copper Alloy, Gold Plated
 - * Screw Nut: Nylon+GF, Black
 - * Seals: EPDM, Black
 - * Clamping Ring: Nylon+GF, Black
 - * Sealing Nut: Nylon+GF, Black
 - * PE Bag: 90mm*85mm
 - * Liquid Glue: Clear
 - * Seals B1 for Cable OD: $\varnothing 4.5\text{mm} \sim \varnothing 6.5\text{mm}$
(防水墊圈B1線徑: $\varnothing 4.5\text{mm} \sim \varnothing 6.5\text{mm}$)
 - * Seals B2 for Cable OD: $\varnothing 3.5\text{mm} \sim \varnothing 5.3\text{mm}$
(防水墊圈B2線徑: $\varnothing 3.5\text{mm} \sim \varnothing 5.3\text{mm}$)
 - * One Set Unassembled in One PE Bag
(每一組未組裝, 放置於一個PE袋, 並封口)

UNIT: mm		TITLE Standard, Assy Screw 2Pin F Conn M Pin
TOLERANCE .X ±0.25 .XX ±0.1 .XXX ±0.05 ANGLES ±1°	SCALE 1:1	SIZE A4
	REV. B	SHEET 1 OF 1
	WC-REV. A.3	CC : Inspection item

Amphenol LTW
安費諾亮泰企業股份有限公司

ITEM NO. BD-02BFMA-SL6001	DRAWN BY Vicky	DATE 2017-07-11
DWG NO. BD-02BFMA-SL6001	CHECKED BY Rita	DATE 2017-07-11
CUSTOMER ALTW	APPROVED BY Max	DATE 2017-07-11