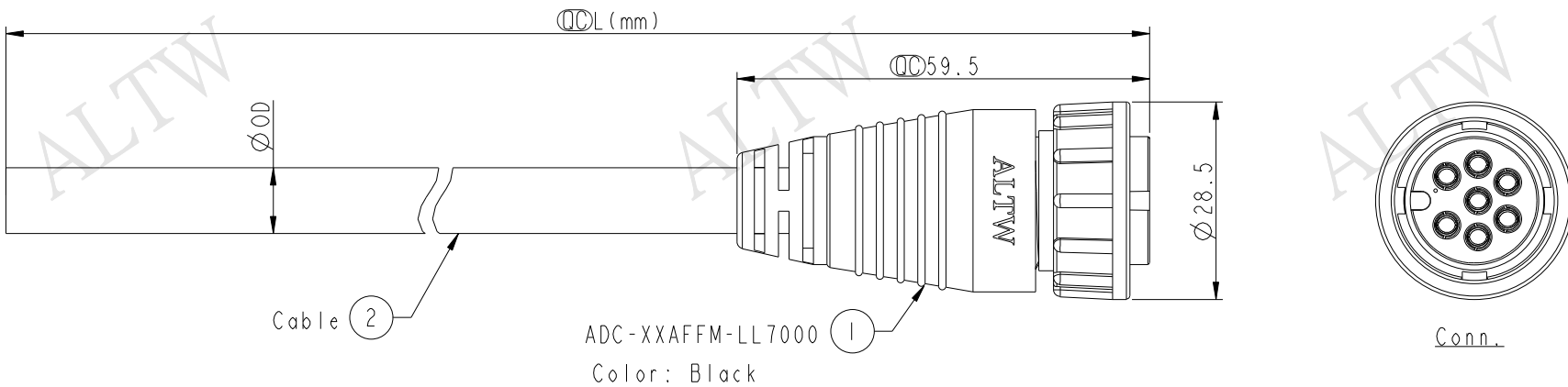


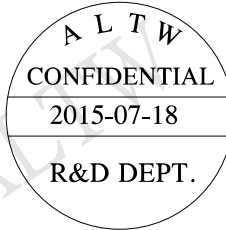
1	2	3	4	5	6	7	8
REV.	ECN NO.	DATE	SIGN	DESCRIPTION			



ADC-XXAFFM-LL7AXX
 02: 2Pin
 :
 :
 07: 7Pin

XX : 01~99Meters
 01 : 01Meter
 02 : 02Meters
 :
 :
 99 : 99Meters

Cable Length(L): 01~99Meters



Note:
 * ϕ Important Dimension To Check.
 * Waterproof Rate: IP67
 * Housing: Nylon+GF, Black.
 * Female Pin: Copper Alloy, Gold Plated.
 * Cable: UL2464 16AWG+D+AL/My
 PVC Jacket UV Resistant, Black.
 * Cable Length Tolerance: 01M: 40mm
 02M~05M: ± 60 mm
 06M~10M: ± 100 mm
 11M~30M: ± 200 mm
 31M~99M: ± 500 mm

7P	PVC	9.5	16	ADC-07AFFM-LL7AXX
6P		9.5		ADC-06AFFM-LL7AXX
5P		7.8		ADC-05AFFM-LL7AXX
4P		7.5		ADC-04AFFM-LL7AXX
3P		7.5		ADC-03AFFM-LL7AXX
2P		5.8		ADC-02AFFM-LL7AXX
Contacts	Cable Jacket	Cable OD	AWG	Item No.

UNIT: mm		TITLE LARGE CABLE LOCK F CONN F PIN		
TOLERANCE	± 0.5	SCALE 1:1	SIZE A4	SHEET 1 OF 2
REV. A	WC-REV. A.1	QC: Inspection item		

Amphenol LTW
 安費諾亮泰企業股份有限公司

ITEM NO.	DRAWN BY Jinhai	DATE 2015-07-18
DWG NO. ADC-XXAFFM-LL7AXX	CHECKED BY Rensong	DATE 2015-07-18
CUSTOMER ALTW	APPROVED BY Jerry	DATE 2015-07-18

THIS DOCUMENT IS SUBJECT TO CHANGE WITHOUT NOTICE. IT IS CONFIDENTIAL AND A PROPERTY OF Amphenol LTW. DISCLOSURE TO THIRD PARTY HAS TO BE AUTHORIZED BY Amphenol LTW.

THIS DOCUMENT IS SUBJECT TO CHANGE WITHOUT NOTICE. IT IS CONFIDENTIAL AND A PROPERTY OF AMPHENOL LTW. DISCLOSURE TO THIRD PARTY HAS TO BE AUTHORIZED BY AMPHENOL LTW.

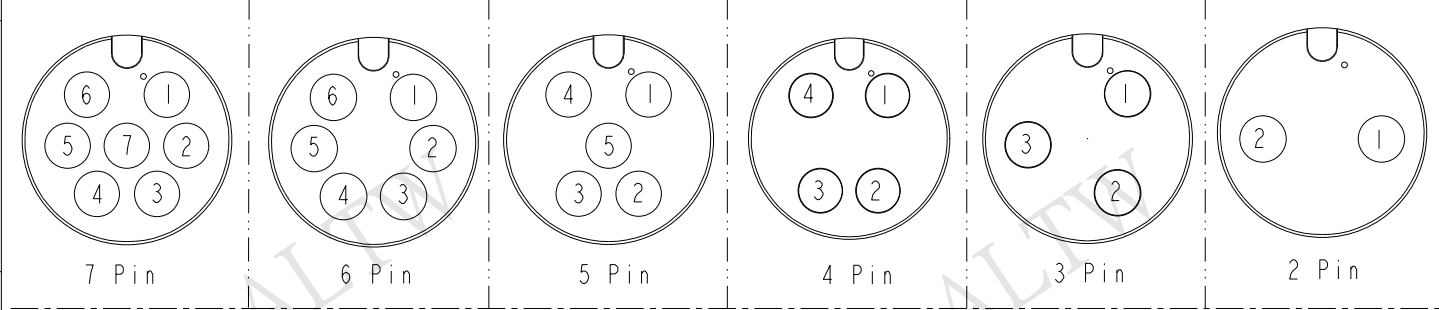
REV.	ECN NO.	DATE	SIGN	DESCRIPTION

ALTW
 CONFIDENTIAL
 2015-07-18
 R&D DEPT.

ALTW
 DCC. DEPT.
 CONFIDENTIAL
 2015.08.12
 ISSUED

7 Red 紅	6 Gray 灰	5 White 白	4 Orange 橙	3 Black 黑	2 Black 黑
6 Gray 灰	5 Yellow 黃	4 Brown 棕	3 Red 紅	2 Blue 藍	1 Red 紅
5 Yellow 黃	4 Green 綠	3 Blue 藍	2 Brown 棕	1 Brown 棕	
4 Green 綠	3 White 白	2 Black 黑	1 Black 黑		
3 White 白	2 Blue 藍	1 Red 紅			
2 Blue 藍	1 Brown 棕				
1 Brown 棕					
Pin # Wire	Pin # Wire	Pin # Wire	Pin # Wire	Pin # Wire	Pin # Wire

Pin Out



UNIT: mm

TOLERANCE	
.X	±0.25
.XX	±0.1
.XXX	±0.05
ANGLES	±1°

TITLE LARGE CABLE LOCK F CONN F PIN			
SCALE 1:1	SIZE A4	SHEET 2 OF 2	
REV. A	WC-REV. A.1	QC: Inspection item	

Amphenol LTW
 安費諾亮泰企業股份有限公司

ITEM NO.	DRAWN BY Jinhai	DATE 2015-07-18
DWG NO. ADC-XXAFFM-LL7AXX	CHECKED BY Rensong	DATE 2015-07-18
CUSTOMER ALTW	APPROVED BY Jerry	DATE 2015-07-18