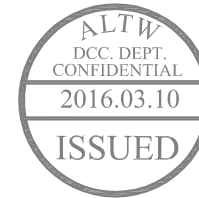
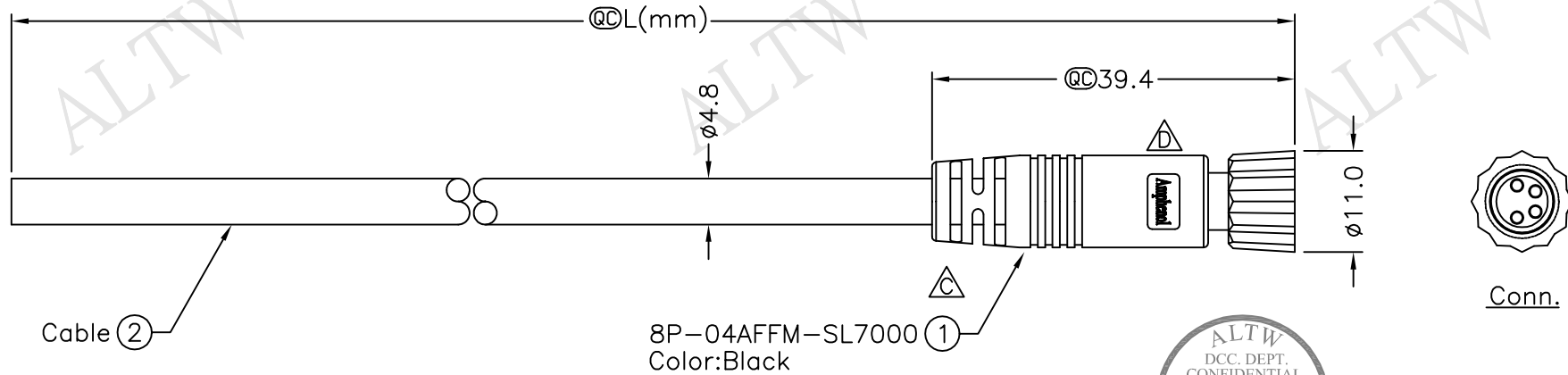


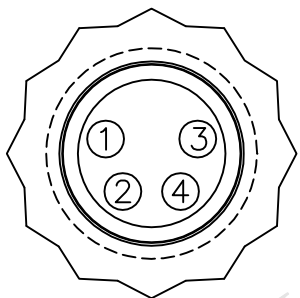
REV.	ECN NO.	DATE	SIGN	DESCRIPTION
B	LEN-920524~527	2009/02/19	Vicky	Update the drawing.
C	LEN11A0131~134	2011/09/23	Jiang Jun Hua	Change SR View
D	LEN1630122~125	2016/02/22	Ruru	Change Logo



8P-04AFFM-SL7BXX
 XX:01~99Meters
 01:01Meter
 02:02Meters
 :
 :
 99:99Meters
 Cable Length(L):01~99Meters

Notes:

- * @C Important Dimension.
- * Waterproof Rate: IP67.
- * Connector: PU, Black.
- * Female Pin: Copper Alloy, Gold Plated.
- * Cable: 22AWG*4C+Insulation, PU, OD=4.8mm, Black.
- * Cable Length Tolerance:
 - 01M:±40mm
 - 02M~05M:±60mm
 - 06M~10M:±100mm
 - 11M~30M:±200mm
 - 31M~99M:±500mm



Pin Assignments
Front View

4	Black	黑
3	Blue	藍
2	White	白
1	Brown	棕
Conn.	Wire Color	
	Pin Out	

UNIT:mm		TITLE	M8 Conn
TOLERANCE	±0.5 mm		Cable Screw 4P F Conn F Pin
SCALE	Free	SHEET	1 OF 1
REV.	D	SIZE	A4
		@C	:Inspection Item

Amphenol LTW

安費諾亮泰企業股份有限公司

ITEM NO	8P-04AFFM-SL7BXX	DRAWN BY	Ruru	DATE	2016/02/22
DWG NO	8P-04AFFM-SL7BXX	CHECKED BY	Rita	DATE	2016/02/22
CUSTOMER	ALTW	APPROVED BY	Lisa	DATE	2016/02/22

THIS DOCUMENT IS SUBJECT TO CHANGE WITHOUT NOTICE. IT IS CONFIDENTIAL AND A PROPERTY OF Amphenol LTW. DISCLOSE TO THIRD PARTY HAS TO BE AUTHORIZED BY Amphenol LTW.