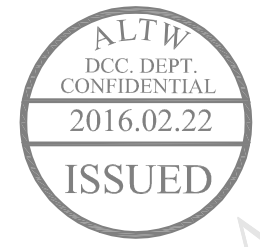
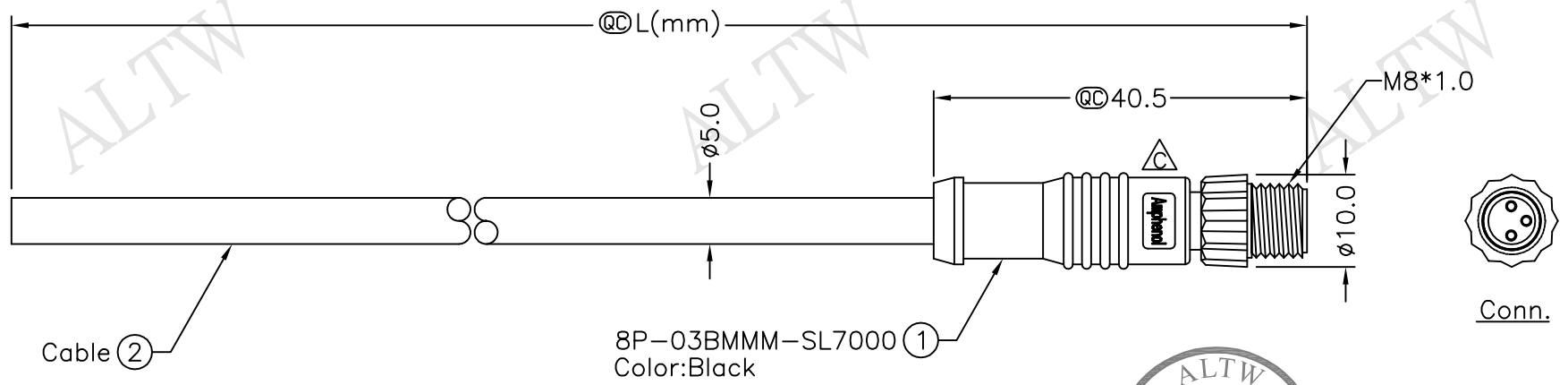
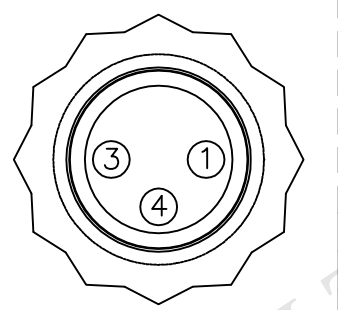


REV.	ECN NO.	DATE	SIGN	DESCRIPTION
B	LEN-920289~292	2009/02/13	Vicky	Update the drawing.
C	LEN1620213~216	2016/02/01	Ruru	Change Logo



8P-03BMMM-SL7AXX  
 XX:01~99Meters  
 01:01Meter  
 02:02Meters  
 :  
 :  
 99:99Meters  
 Cable Length(L):01~99Meters

- Notes:
- \* @C Important Dimension.
  - \* Waterproof Rate:IP67.
  - \* Connector:Black,PU.
  - \* Male Pin:Copper Alloy,Gold Plated.
  - \* Cable:UL2464 22AWG\*3C+Talcum,Black, PVC Jacket,UV Resistant,OD=5.0mm.
  - \* Cable Length Tolerance:
    - 01M:±40mm
    - 02M~05M:±60mm
    - 06M~10M:±100mm
    - 11M~30M:±200mm
    - 31M~99M:±500mm



Pin Assignments  
Front View

4	Black	黑
3	Blue	藍
1	Brown	棕
Conn.	Wire Color	
Pin Out		

UNIT:mm		TITLE	M8 Conn		ITEM NO	DRAWN BY	DATE
TOLERANCE	±0.5 mm	Cable Screw 3P M Conn M Pin		<b>Amphenol LTW</b>	8P-03BMMM-SL7AXX	Ruru	2016/02/01
		SCALE	Free	SHEET 1 OF 1	CUSTOMER	CHECKED BY	DATE
		REV.	C	SIZE A4	ALTW	Rita	2016/02/01
		QC :Inspection Item		安費諾亮泰企業股份有限公司	APPROVED BY	Lisa	DATE
							2016/02/01

THIS DOCUMENT IS SUBJECT TO CHANGE WITHOUT NOTICE. IT IS CONFIDENTIAL AND A PROPERTY OF Amphenol LTW. DISCLOSURE TO THIRD PARTY HAS TO BE AUTHORIZED BY Amphenol LTW.