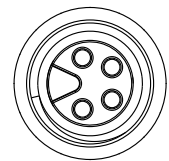
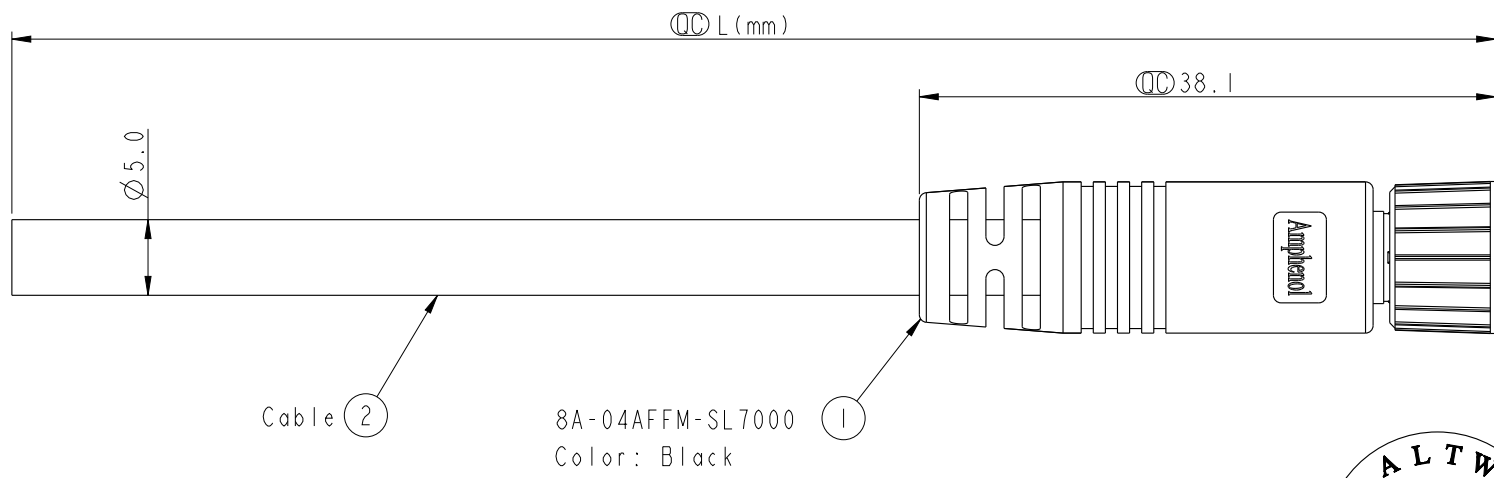
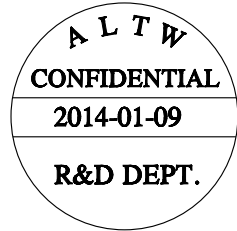


THIS DOCUMENT IS SUBJECT TO CHANGE WITHOUT NOTICE. IT IS CONFIDENTIAL AND A PROPERTY OF Amphenol LTW. DISCLOSURE TO THIRD PARTY HAS TO BE AUTHORIZED BY Amphenol LTW.

REV.	ECN NO.	DATE	SIGN	DESCRIPTION

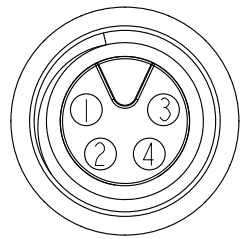


Conn.



8A-04AFFM-SL7AXX  
 XX: 01~99Meters  
 01: 01Meter  
 02: 02Meter  
 ...  
 99: 99Meters  
 Cable Length(L): 01~99Meters

- Note:
- \* (C) Important Dimension.
  - \* Waterproof Rate: IP67.
  - \* Connector: PU, Black.
  - \* Female Pin: Copper Alloy, Gold Plated.
  - \* Screw Nut: Zinc Alloy, Nickel Plated.
  - \* O-Ring: Viton, Green.
  - \* Cable: UL2464 22AWG\*4C+Talcum, PVC Jacket, UV Resistant, OD=5.0, Black.
  - \* Cable Length Tolerance: 01M: ±40mm  
 02~05M: ±60mm  
 06~10M: ±100mm  
 11~30M: ±200mm  
 31~99M: ±500mm



Pin Assignments Front View

Pin	Wire Color	Pin Out
4	Black 黑	
3	Blue 藍	
2	White 白	
1	Brown 棕	
Conn.	Wire Color	Pin Out

UNIT:mm		TITLE M8 4Pin Cable F Conn. F Pin
TOLERANCE ±0.5 mm	SCALE 2:1	SIZE A4
REV. A	WC-REV. A.3	SHEET 1 OF 1
		(C) Inspection item

**Amphenol LTW**  
 安費諾亮泰企業股份有限公司

ITEM NO	DRAWN BY Mila	DATE 2014-01-09
DWG NO 8A-04AFFM-SL7AXX	CHECKED BY Jimmy	DATE 2014-01-09
CUSTOMER ALTW	APPROVED BY Jerry	DATE 2014-01-09