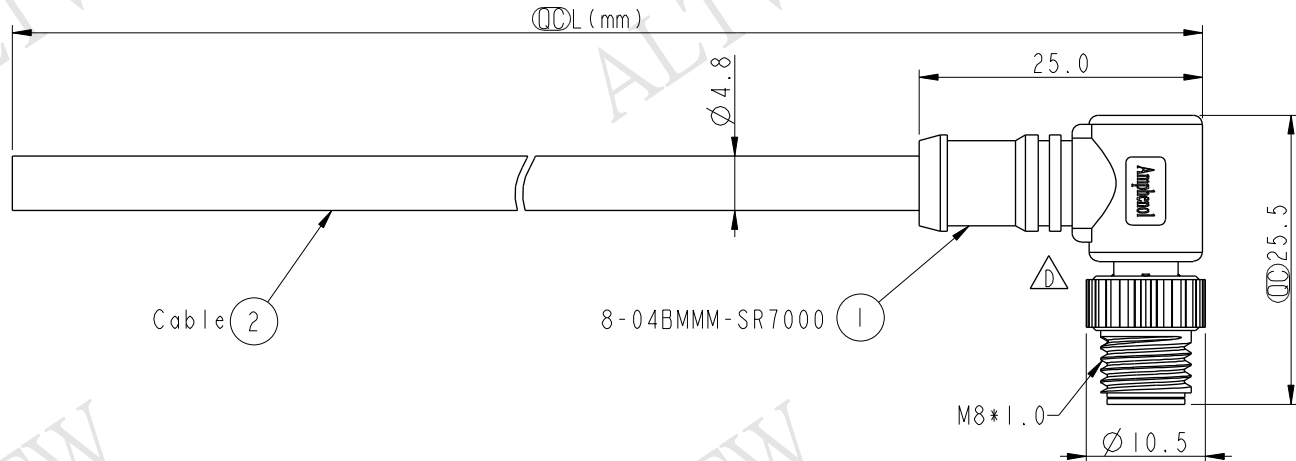


THIS DOCUMENT IS SUBJECT TO CHANGE WITHOUT NOTICE. IT IS CONFIDENTIAL AND A PROPERTY OF Amphenol LTW. DISCLOSURE TO THIRD PARTY HAS TO BE AUTHORIZED BY Amphenol LTW.

REV.	ECN NO.	DATE	SIGN	DESCRIPTION
B	LEN-780081	2007/04/27	Ferds	Change Pin Out Color & Apply New Standard.
C	LEN-920070~073	2009/02/03	Vicky	Update the drawing.
D	LEN1510263~266	2015/01/07	Sam	Update logo.



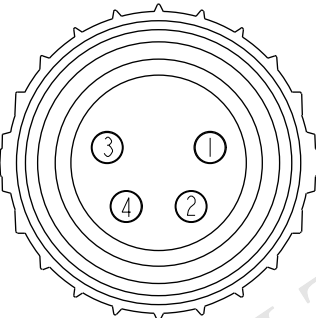
8-04BMMM-SR7BXX
 XX: 01~99Meters
 01: 01Meter
 02: 02Meters

 99: 99Meters
 Cable Length(L): 01~99Meters

ALTW
 CONFIDENTIAL
 2015-01-07
 R&D DEPT.

ALTW
 DCC. DEPT.
 CONFIDENTIAL
 2015.01.20
 ISSUED

- Notes:
- * \varnothing Important Dimension.
 - * Waterproof Rate: IP67.
 - * Connector: PU, Black.
 - * Female Pin: Copper Alloy, Gold Plated.
 - * Cable: 22AWG*4C+Insulation, Black, PU, OD=4.8mm.
 - * Cable Length Tolerance:
 - 01M: ±40mm
 - 02M~05M: ±60mm
 - 06M~10M: ±100mm
 - 11M~30M: ±200mm
 - 31M~99M: ±500mm



Pin Assignments
Front View

Conn.	Wire Color	Pin Out
4	Black 黑	
3	Blue 藍	
2	White 白	
1	Brown 棕	

UNIT:mm	
TOLERANCE	
±0.5 mm	

TITLE M8 Conn Cable Screw 4P M Conn M Pin			
SCALE 3:2	SIZE A4	SHEET 1 OF 1	
REV. D	WC-REV. A.1	\varnothing : Inspection item	

Amphenol LTW
 安費諾亮泰企業股份有限公司

ITEM NO	DRAWN BY	DATE
	Sam	2015-01-07
DWG NO	CHECKED BY	DATE
8-04BMMM-SR7BXX	Vicky	2015-01-07
CUSTOMER	APPROVED BY	DATE
ALTW	Rita	2015-01-07