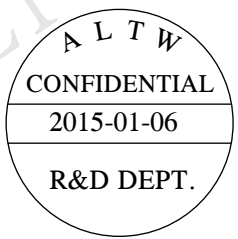
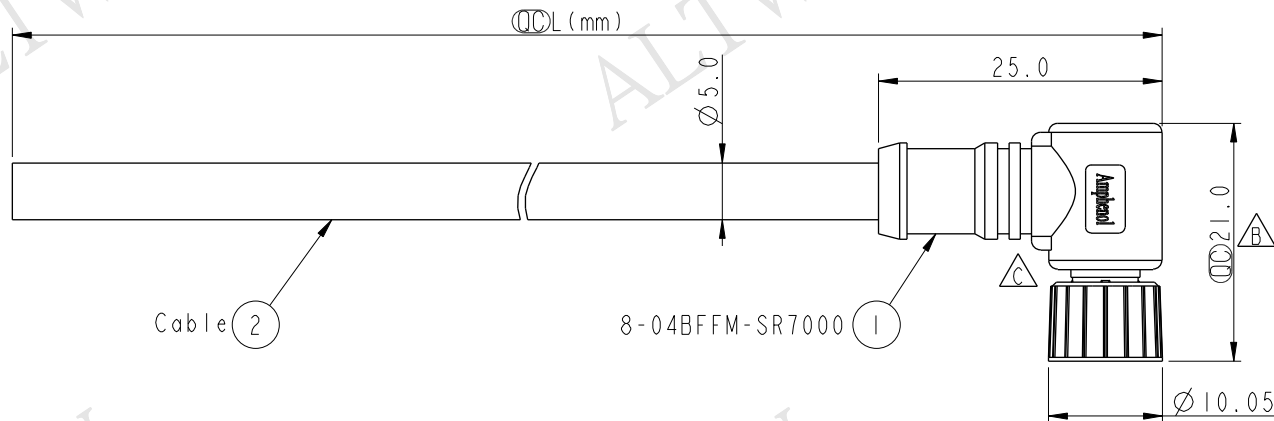
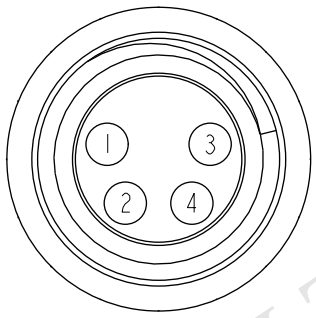


REV.	ECN NO.	DATE	SIGN	DESCRIPTION
B	LEN-920048~051	2009/02/03	Vicky	Update the drawing.
C	LEN1510250~253	2015/01/06	Sam	Update logo.



8-04BFFM-SR7AXX  
 XX: 01~99Meters  
 01: 01Meter  
 02: 02Meters  
 ...  
 99: 99Meters  
 Cable Length(L): 01~99Meters



Pin Assignments  
Front View

4	Black	黑
3	Blue	藍
2	White	白
1	Brown	棕
Conn.	Wire Color	
	Pin Out	

- Notes:
- \*  $\varnothing$  Important Dimension.
  - \* Waterproof Rate: IP67.
  - \* Connector: PU, Black.
  - \* Female Pin: Copper Alloy, Gold Plated.
  - \* Cable: UL2464 22AWG\*4C+Talcum, Black, PVC Jacket, UV Resistant, OD=5.0mm.
  - \* Cable Length Tolerance:
    - 01M: ±40mm
    - 02M~05M: ±60mm
    - 06M~10M: ±100mm
    - 11M~30M: ±200mm
    - 31M~99M: ±500mm

UNIT: mm	
TOLERANCE	
±0.5 mm	

TITLE			
M8 Conn Cable Screw 4P F Conn F Pin			
SCALE	SIZE	SHEET	OF
3:2	A4	1	1
REV.	WC-REV.	$\varnothing$ : Inspection item	
C	A.1		

**Amphenol LTW**  
 安費諾亮泰企業股份有限公司

ITEM NO	DRAWN BY	DATE
	Sam	2015-01-06
DWG NO	CHECKED BY	DATE
8-04BFFM-SR7AXX	Vicky	2015-01-06
CUSTOMER	APPROVED BY	DATE
ALTW	Rita	2015-01-06

THIS DOCUMENT IS SUBJECT TO CHANGE WITHOUT NOTICE. IT IS CONFIDENTIAL AND A PROPERTY OF Amphenol LTW. DISCLOSURE TO THIRD PARTY HAS TO BE AUTHORIZED BY Amphenol LTW.