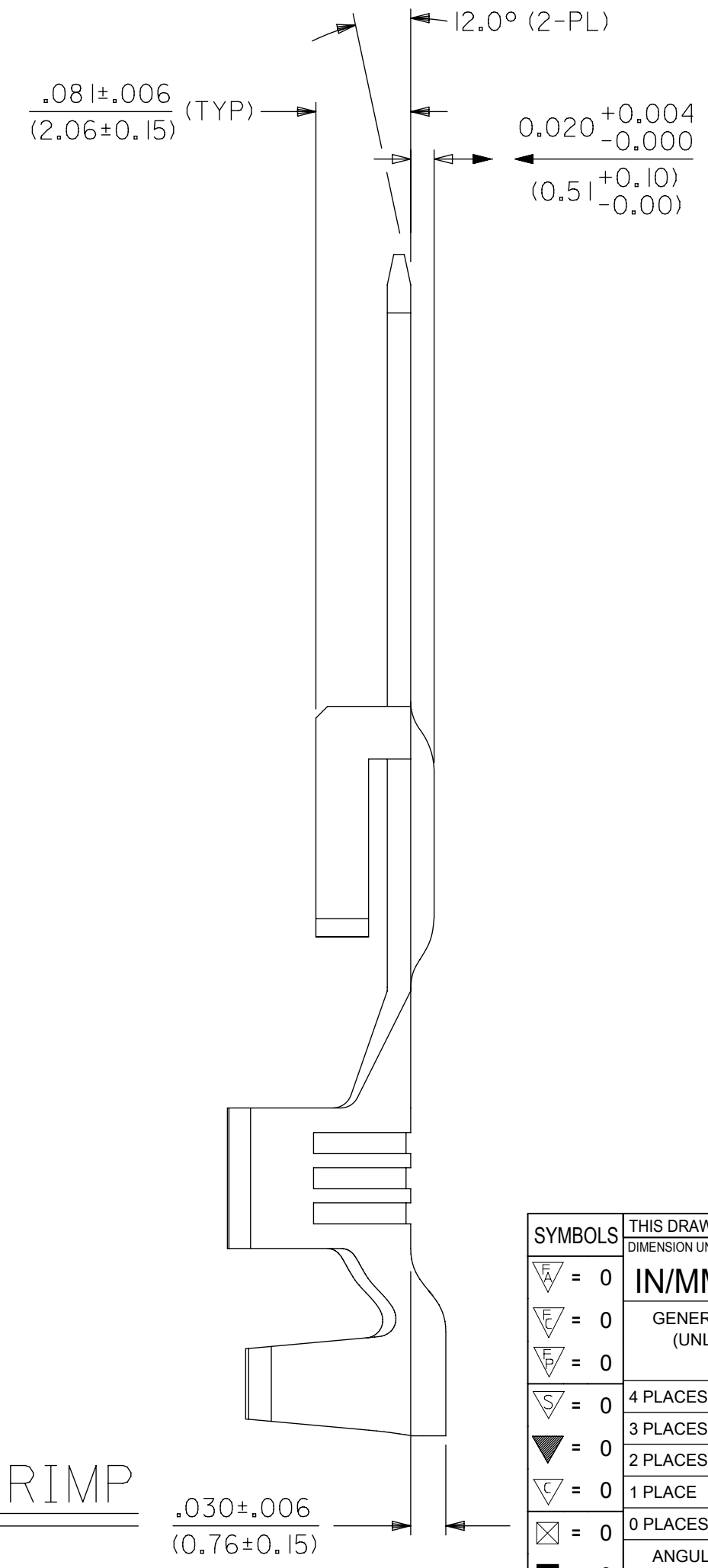
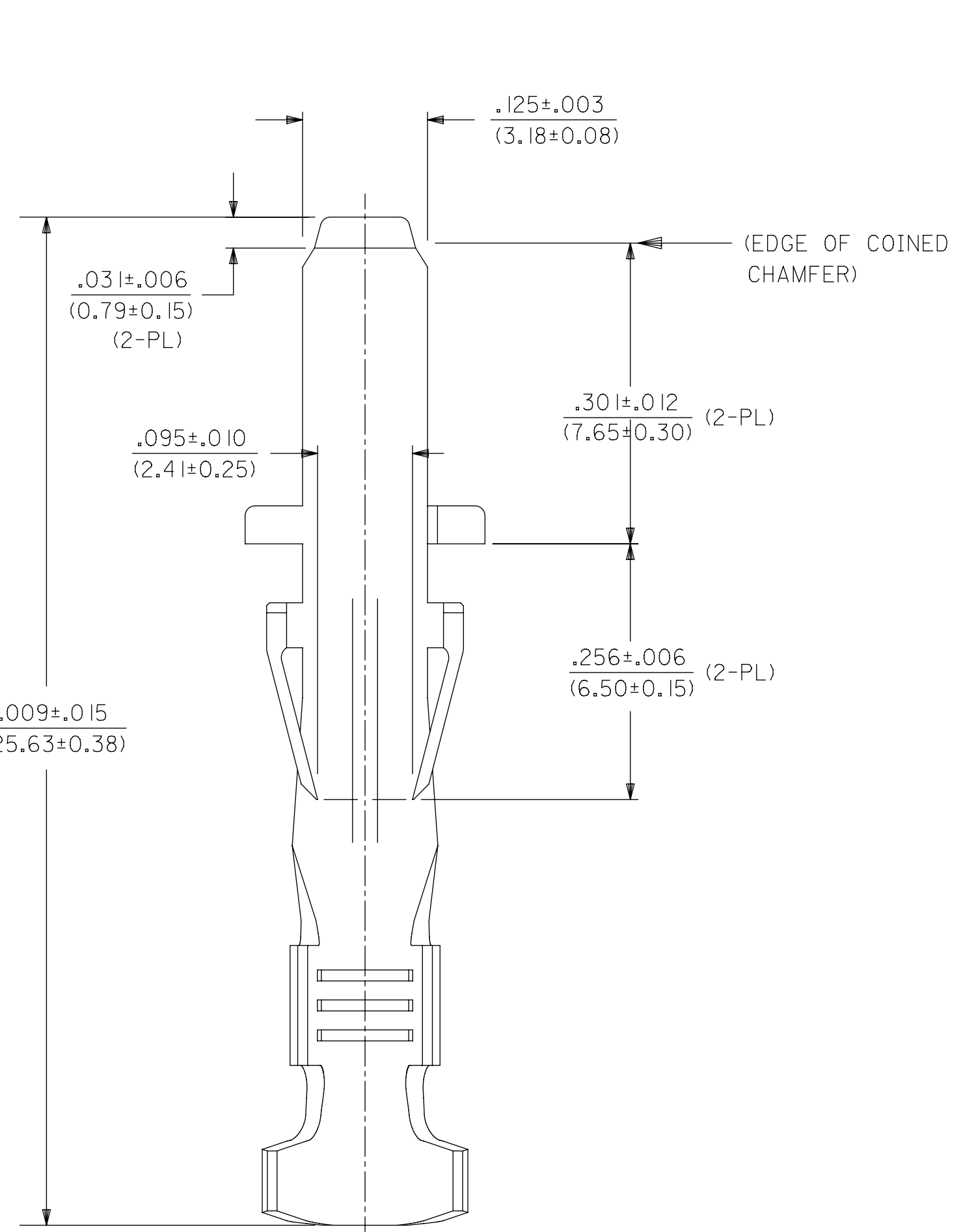
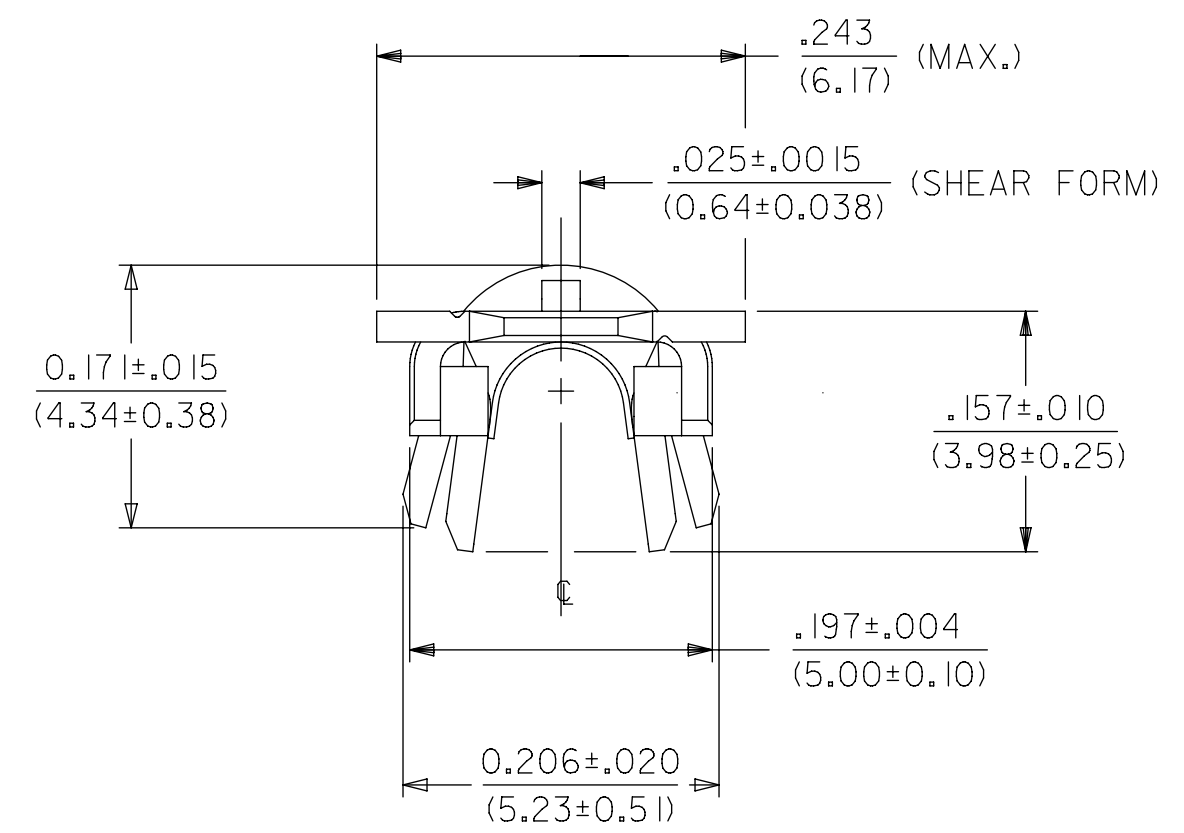


MATERIAL NUMBER	FINISH	HOLE
43178-5001	999	NOT USED
43178-5002	H901	NOT USED



- NOTES:**
1. MATERIAL: BRASS
 2. FINISH:
999 - UNPLATED
H901 - 20 MICROINCH MIN. HOT TIN DIP
 3. PRODUCT SPECIFICATION: PS-44441-9999
 4. PACKAGING SPECIFICATION: 431780000-PK
 5. TERMINAL FOR USE IN 43680 SERIES HOUSINGS
 6. TERMINAL FOR USE WITH A SINGLE 18 AWG UL TYPE 1015 WIRE, HAVING A MAXIMUM INSULATION DIAMETER OF .130/(3.30).
 7. TERMINAL FOR USE WITH SABRE SERIES HOUSINGS AND APPLICATIONS REQUIRING TERMINALS TO MEET UL1950 SPACING REQUIREMENTS.
 8. PARTS CONFORM TO CLASS "B" REQUIREMENTS OF COSMETIC SPECIFICATIONS PS-45499-002

SMALL INSULATION CRIMP

THIS DRAWING CONTAINS INFORMATION THAT IS PROPRIETARY TO MOLEX ELECTRONIC TECHNOLOGIES, LLC AND SHOULD NOT BE USED WITHOUT WRITTEN PERMISSION										
SYMBOLS		DIMENSION UNITS		SCALE		CURRENT REV DESC: ADD NOTES				
∇ = 0	∇ = 0	IN/MM	8:1			molex TERMINAL, CRIMP, MALE TAB .125/(3.18) X .020/(0.51) SABRE - F.B.S. - T.P.A.				
∇ = 0	∇ = 0	GENERAL TOLERANCES (UNLESS SPECIFIED)								EC NO: 617584 DRWN: JEHRISMAN 2019/04/02 CHK'D: MKIPPER 2019/06/13 APPR: FSMITH 2019/06/18
∇ = 0	∇ = 0	4 PLACES	±	MM	INCH	INITIAL REVISION: DRWN: BW 2002/04/05 APPR: FSMITH 2002/04/05				
∇ = 0	∇ = 0	3 PLACES	±	±	0.01	PRODUCT CUSTOMER DRAWING DOCUMENT NUMBER: SD-43178-5XXX DOC TYPE: PSD DOC PART: 001 REVISION: A2				
∇ = 0	∇ = 0	2 PLACES	±	0.25	±	0.014	MATERIAL NUMBER: SEE TABLE CUSTOMER: WHIRLPOOL SHEET NUMBER: 1 OF 1			
∇ = 0	∇ = 0	1 PLACE	±	0.35	±		DRAFT WHERE APPLICABLE MUST REMAIN WITHIN DIMENSIONS			
∇ = 0	∇ = 0	0 PLACES	±	±			THIRD ANGLE PROJECTION DRAWING: C-SIZE SERIES: 43178			
∇ = 0	∇ = 0	ANGULAR TOL ± 0.5°								