

PLEASE CHECK WWW.MOLEX.COM FOR LATEST PART INFORMATION

Part Number: [0506370028](#)
Status: **Active**
Description: 2.00mm Pitch Crimp Terminal, Female, Reel, Lead Free

Documents:

[3D Model](#) [Product Specification PS-58719-006-001 \(PDF\)](#)
[Drawing \(PDF\)](#) [RoHS Certificate of Compliance \(PDF\)](#)
[3D Model \(PDF\)](#)

General

Product Family Crimp Terminals
 Series [50637](#)
 Application Power, Wire-to-Board
 Crimp Quality Equipment Yes
 Packaging Alternative [506370128 \(Loose\)](#)
 Product Name N/A
 UPC 822348143429

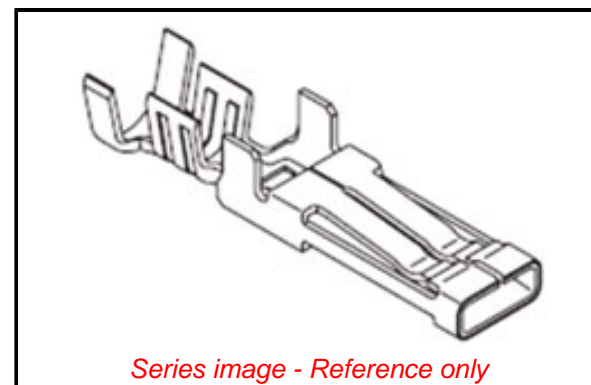
Physical

Gender Female
 Material - Metal Copper
 Material - Plating Mating Gold
 Material - Plating Termination Tin
 Net Weight 608.741/mg
 Packaging Type Reel
 Plating min - Mating 0.102µm
 Plating min - Termination 1.016µm
 Termination Interface: Style Crimp or Compression
 Wire Insulation Diameter 3.20-3.80mm
 Wire Size AWG 14, 16, 18
 Wire Size mm² N/A

Material Info

Reference - Drawing Numbers

Product Specification PS-58719-006-001
 Sales Drawing SD-50637-001-001



EU ELV

Not Relevant

EU RoHS

Compliant

REACH SVHC

Not Contained Per -
 D(2021)4569-DC (8
 July 2021)

Halogen-Free

Status

Low-Halogen

For more information, please visit [Contact US](#)

China ROHS

ELV

RoHS Phthalates

China RoHS

Green Image

Not Relevant

Not Contained

Search Parts in this Series

[50637 Series](#)

Mates With

[50638 Male Crimp Terminal](#)

Application Tooling | FAQ

Tooling specifications and manuals are found by selecting the products below. Crimp Height Specifications are then contained in the Application Tooling Specification document.

Global

Description	Product #
Extraction Tool for RCM Connector System	638133501
Hand Crimp Tool for 2.00mm Pitch Female Crimp Terminals	638231400
T2 Terminator Die	638526100
FineAdjust Applicator	638626100

Japan

Description	Product #
-------------	-----------

Applicator for M211A 573553000
Bench Press, 14-18
AWG Wire

This document was generated on 12/21/2021

PLEASE CHECK WWW.MOLEX.COM FOR LATEST PART INFORMATION