

**PLEASE CHECK WWW.MOLEX.COM FOR LATEST PART INFORMATION**

**Part Number:** [0622029750](#)  
**Status:** **Active**  
**Overview:** [Application Tooling](#)  
**Description:** Removal Tool for 1-by-1 Small Form-Factor Pluggable

**Documents:**  
[RoHS Certificate of Compliance \(PDF\)](#)

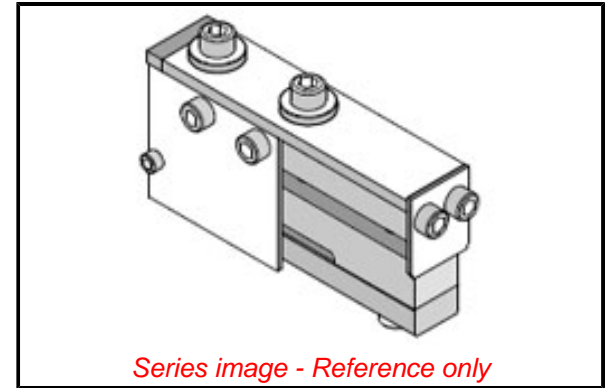
**General**

Product Family	Application Tooling
Series	<a href="#">207123</a>
Comments	See Tooling Specification (PDF) Above
Function	Extraction
Geographic Area	Global
Level of Automation	Manual
More Detailed Tech Information	<a href="mailto:applicationtooling@molex.com">applicationtooling@molex.com</a>
Overview	<a href="#">Application Tooling</a>
Product Name	PremiumGrade
Tool Type	Press-Fit Extraction Tool
UPC	883906245597
Warranty Disclaimer	CAUTION: Molex tooling crimp specifications are valid only when used with Molex terminals and tooling manufactured by Molex and sold by Molex or authorized distributors ("Molex Tooling"). When using tooling other than Molex Tooling with Molex specific connector systems listed in our ATS documents, the Molex tooling qualification does not apply and the responsibility for full qualification of the connector system is that of the customer. Molex accepts no liability for connector performance or tooling support where tooling other than Molex Tooling is used or where Molex Tooling is modified.

**Material Info**

**Reference - Drawing Numbers**  
[Application Tooling Documents](#)

[ATS-622029750](#)



**EU ELV**

**Not Reviewed**

**EU RoHS**

**Not Reviewed**

**REACH SVHC**

Not Reviewed

**Halogen-Free**

**Status**

**Not Reviewed**

For more information, please visit [Contact US](#)

China ROHS

Not Reviewed

ELV

Not Reviewed

RoHS Phthalates

Not Reviewed

**Search Parts in this Series**

[207123 Series](#)

**Use With**

SFP Plus (SFP+) Cage [74754](#)

**Application Tooling** | [FAQ](#)

Description	Product #
-------------	-----------

SFP One Piece Cage, EMI Shielding, 2.29mm Press-Fit Tails	<a href="#">747370002</a>
---	---------------------------

SFP One Piece Cage, EMI Shielding, 2.29mm Press-Fit Tails, Belly-to-Belly

SFP One Piece Cage, EMI Shielding, 3.05mm Press-Fit Tails, with Flat EMI Pins	<a href="#">747370004</a>
---	---------------------------

SFP One Piece Cage, EMI Shielding, 3.05mm Press-Fit Tails, with Flat EMI Pins

SFP One Piece Cage, EMI Shielding, 3.05mm Press-Fit Tails	<a href="#">747370005</a>
---	---------------------------

SFP One Piece Cage, EMI Shielding, 3.05mm Press-Fit Tails

SFP One Piece Cage, EMI Shielding, 3.05mm Press-Fit Tails	<a href="#">747370009</a>
---	---------------------------

SFP One Piece Cage, EMI Shielding, 3.05mm Press-Fit Tails

Tails

SFP One Piece [747370012](#)  
Cage-Press Fit(0.090  
Legs)  
SFP One Piece [747370014](#)  
Cage, EMI Shielding,  
3.05mm Press-Fit  
Tails, with Pick-and-  
Place Polyimide  
Tape  
SFP 1Pc Cage Assy [747370034](#)  
-Solder Post-Tin  
Plate  
SFP Cage,Press Fit [747370035](#)  
(0.090 Legs) B-2-B  
SFP+ Cage, Single [747540101](#)  
Port, Spring Finger  
Bezel Gasket,  
3.05mm Press Fit  
Pins  
SFP+ Cage, Single [747540102](#)  
Port, EMI Spring  
Fingers, 2.28mm  
Press Fit Pins  
SFP+ Cage, Single [747540104](#)  
Port, Spring Finger  
Bezel Gasket,  
3.05mm Press Fit  
Pins for PCI  
SFP+ Cage, Single [747540105](#)  
Port, EMI Gasket,  
Underbelly EMI  
Spring Fingers,  
3.05mm Press Fit  
Pins

This document was generated on 02/27/2021

**PLEASE CHECK [WWW.MOLEX.COM](http://WWW.MOLEX.COM) FOR LATEST PART INFORMATION**