

PART NAME: KNOB

SCALE: 1:1

DATE: 10/28/96

DR. BY HD

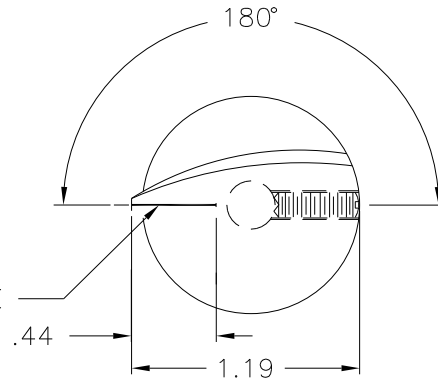
DAVIES MOLDING COMPANY  
CAROL STREAM, ILLINOIS 60188

P/N 1550AG

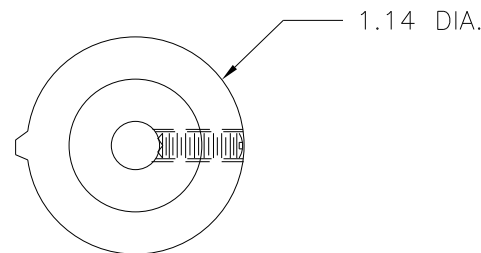
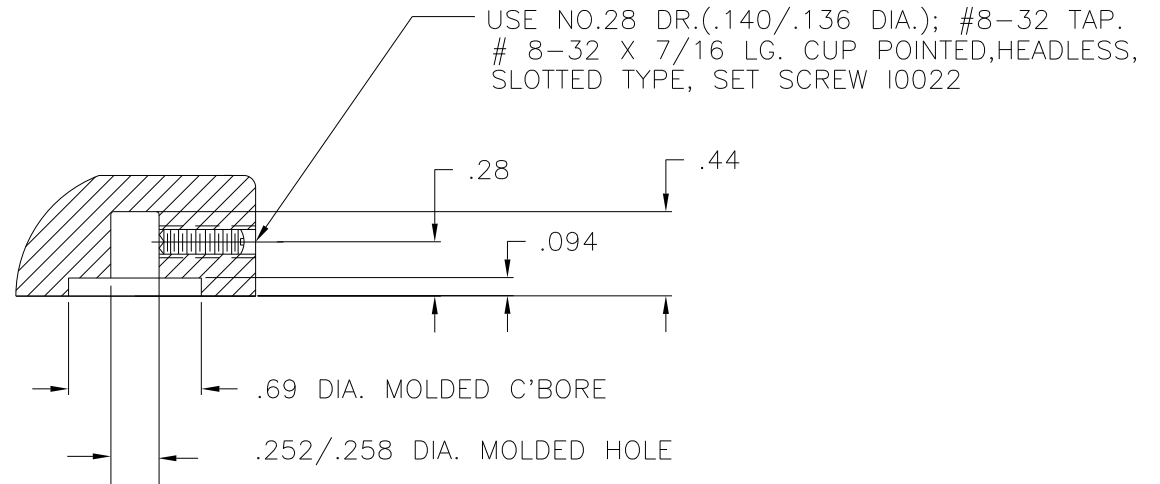
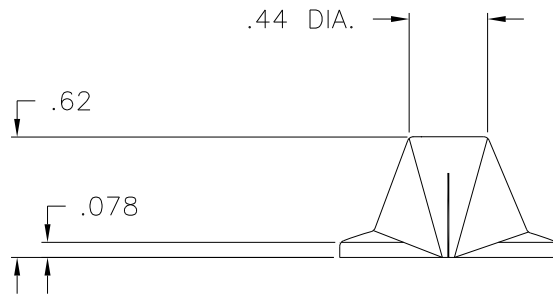
THIS DRAWING IS THE PROPERTY OF DAVIES MOLDING COMPANY, IS SUBMITTED SOLELY AS A DESIGN OR ENGINEERING PROJECT.  
WE ACCEPT NO RESPONSIBILITY WHATSOEVER FOR THE PRACTICAL APPLICATION OF THE PIECES MADE TO THIS DESIGN.

BASE PART 1550-01

SET SCREW I0022



PAD PRINTED INDI.LINE  
IN-WHITE



MATERIAL: G.P. PHENOLIC (B11)  
COLOR: BLACK

TOLERANCES: UNLESS OTHERWISE SPECIFIED	DO NOT SCALE DRAWING				
DECIMALS: X.XXX ± .005 X.XX ± .015	MM: X.XX ± 0.15MM X.X ± 0.4MM	-	UPDATED/HAD TOOLBOX	EV.	8/8/02
FRACTIONS ± 1/64	ANG. ± 1°	CHANGES			