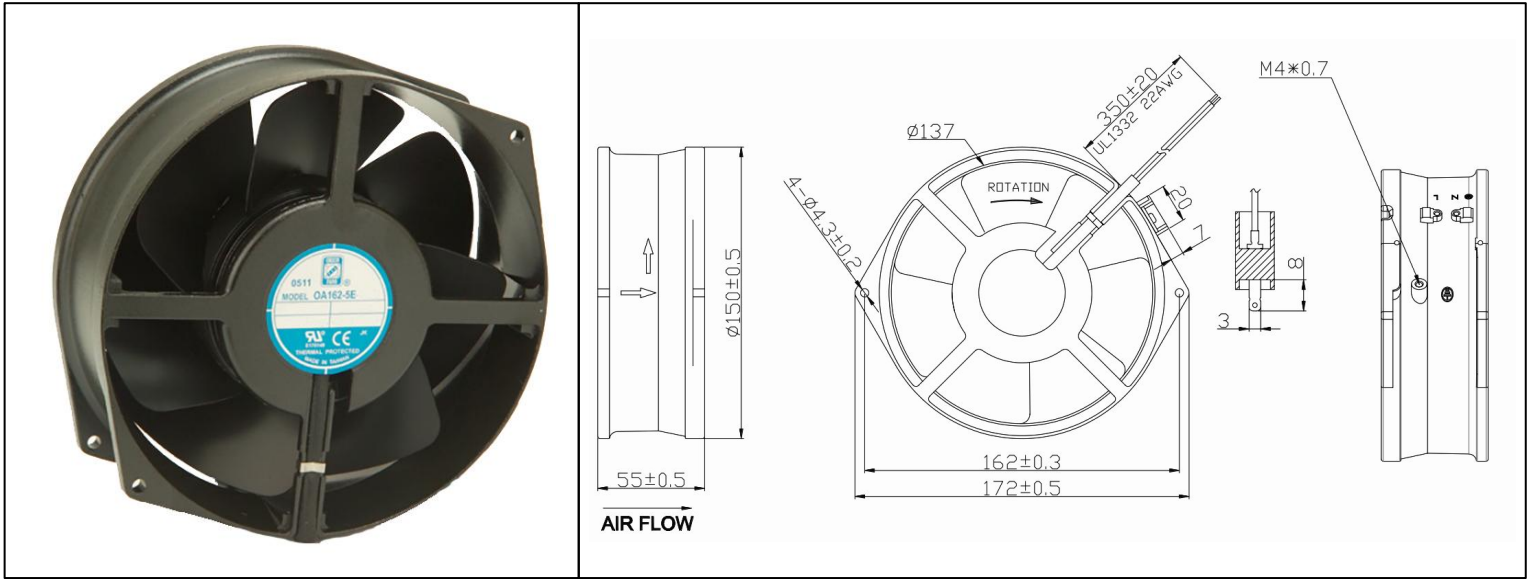


# OA162 Series



AC Fan, 115V, 230V  
172x150x55mm (6.8"x5.9"x2.2")



Frame & Impeller	Die Cast Aluminum	<u>Operating Temperature</u> -40°C ~ +70°C  <u>Storage Temperature</u> -40°C ~ +80°C  <u>Life Expectancy</u> 40,000 hours (L10 at 40°C)  Weight: 2.43 lbs  m2	
Connection	Terminals or Lead Wires, 22 AWG		
Motor	Shaded Pole, Thermally Protected		
Bearing System	Dual Ball Bearings (Sleeve Available)		
Dielectric Strength	1500VAC/min < 1mA		
Insulation Resistance	>100M Ohm between lead-wires and frame (500V DC)		

Series Number/Part Number	OA162-5E-115*B	OA162-5E-230*B
Rated Voltage	115 VAC	230 VAC
Voltage Range	103 ~ 126 VAC	160 ~ 260 VAC
Input Power	42 W	42 W
Rated Current	0.47 A	0.23 A
Rated Speed (RPM)	3250	3250
Airflow (CFM)	230	230
Noise Level (dB)	53	53
Max. Static Pressure	0.63" H <sub>2</sub> O	0.63" H <sub>2</sub> O

\*Indicate "T" for Terminal or "W" for Wire Leads