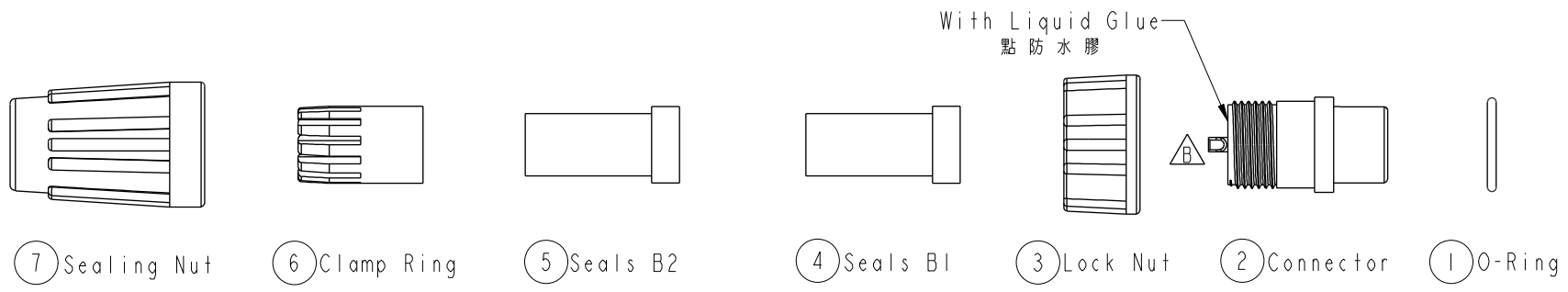


THIS DOCUMENT IS SUBJECT TO CHANGE WITHOUT NOTICE. IT IS CONFIDENTIAL AND A PROPERTY OF AMPHENOL LTW. DISCLOSURE TO THIRD PARTY HAS TO BE AUTHORIZED BY AMPHENOL LTW.

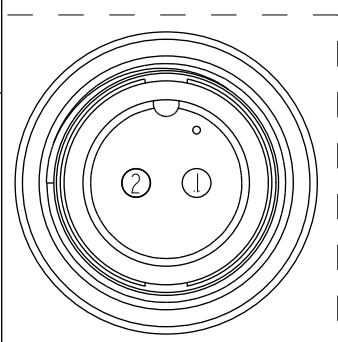
REV.	ECN NO.	DATE	SIGN	DESCRIPTION
B	LEN-0C0505	2010/11/29	Ivan	Change View



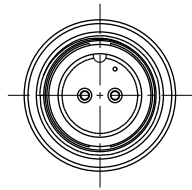
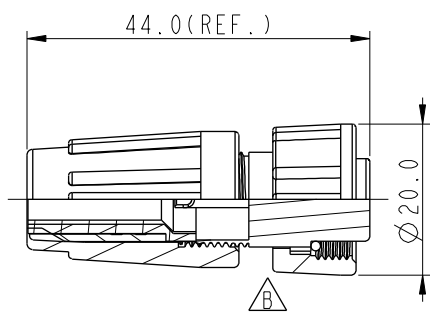
ALTW
 DCC. DEPT.
 CONFIDENTIAL
 2012-03-15
ISSUED

ALTW
 CONFIDENTIAL
 2012-03-12
 R&D DEPT.

- Note:
- * \varnothing Important Dimension.
 - * Waterproof Rate : IP66
 - * Housing: Nylon+GF, Black
 - * Female Pin: Copper Alloy, Gold Plated
 - * Screw Nut: Nylon+GF, Black
 - * O-Ring: EPDM, Black
 - * Seals: EPDM, Black
 - * Clamping Ring: Nylon, Black
 - * Sealing Nut: Nylon, Black
 - * PE Bag: 90mm*85mm
 - * Seals B1 for Cable OD: $\varnothing 4.5\text{mm} \sim \varnothing 6.5\text{mm}$
(防水墊圈B1線徑: $\varnothing 4.5\text{mm} \sim \varnothing 6.5\text{mm}$)
 - * Seals B2 for Cable OD: $\varnothing 3.5\text{mm} \sim \varnothing 5.3\text{mm}$
(防水墊圈B2線徑: $\varnothing 3.5\text{mm} \sim \varnothing 5.3\text{mm}$)
 - * One Set Unassembled in One PE Bag
(每一組未組裝, 放置於一個PE袋, 並封口)



Pin Assignments
Front View 前視圖



UNIT: mm		TITLE			ITEM NO.	DRAWN BY	DATE
		Standard, Assy Screw 2Pin F Conn F Pin			BD-02BFFA-SL6001	SamChang	2012-03-12
TOLERANCE		SCALE	SIZE	SHEET	DWG NO.	CHECKED BY	DATE
.X ±0.25		1:1	A4	1 OF 1	BD-02BFFA-SL6001	Jeffrey	2012-03-15
.XX ±0.1	REV.	WC-REV.	\varnothing : Inspection item		CUSTOMER	APPROVED BY	DATE
.XXX ±0.05	B	A.2			ALTW	Kevin	2012-03-15
ANGLES ±1°							

Amphenol LTW
 安費諾亮泰企業股份有限公司