


SACB-8/16- 5,0PUR OD

Order No.: 1457364

<http://eshop.phoenixcontact.de/phoenix/treeViewClick.do?UID=1457364>

Sensor/actuator box, M12 female connector, Number of slots: 8,
Number of positions: 5, Slot assignment: Double, Status indication:
No; Master cable connection: Fixed connection 180°, Cable length: 5
m, Shielding: No

Commercial data	
GTIN (EAN)	 4 046356 620833
sales group	D101
Pack	1 pcs.
Customs tariff	85366990
Catalog page information	Page 222 (PC-2011)

Product notesWEEE/RoHS-compliant since:
09/08/2010

<http://www.download.phoenixcontact.com>
Please note that the data given here has been taken from the online catalog. For comprehensive information and data, please refer to the user documentation. The General Terms and Conditions of Use apply to Internet downloads.

Technical data	
General data	
Rated voltage	120 V
Max. operating voltage U_{max}	135 V
Current carrying capacity per I/O signal	2 A

Current carrying capacity per slot	4 A
Total rated current	12 A
Number of positions	5
Number of slots	8
Degree of protection	IP65/IP67/IP69K
Ambient temperature (operation)	-30 °C ... 90 °C
Sensor/actuator connection system	M12 female connector

Master cable connection data

Connection method	Fixed connection
Length of cable	5 m
Ambient temperature (operation)	-40 °C ... 90 °C (cable, fixed installation) -5 °C ... 80 °C (cable, flexible installation)
Tightening torque slot sensor/actuator cable	0.4 Nm
Tightening torque screw plug	0.4 Nm

Insulation material

Housing material	PBT
Material of the moulding mass	PUR
Contact material	Cu alloy
Contact surface material	Gold-plated
Contact carrier material	PA
Material of threaded sleeve	Zinc die-cast
Material of threaded sleeve surface	tin-plated
Material, O-ring	FPM

Pin assignment

Slot/position = Wire color or connection	1 / 4 (A) = WH
--	----------------

	1 / 2 (B) = GY/PK
	2 / 4 (A) = GN
	2 / 2 (B) = RD/BU
	3 / 4 (A) = YE
	3 / 2 (B) = WH/GN
	4 / 4 (A) = GY
	4 / 2 (B) = BN/GN
	5 / 4 (A) = PK
	5 / 2 (B) = WH/YE
	6 / 4 (A) = RD
	6 / 2 (B) = YE/BN
	7 / 4 (A) = BK
	7 / 2 (B) = WH/GY
	8 / 4 (A) = VT
	8 / 2 (B) = GY/BN
	1-8 / 1 (+ 120 V) = BN
	1-8 / 3 (0 V) = BU
	1-8 / 5 (PE) = GN/YE

Conductor data

Cable type	Master cable suitable for flexible cable conduit
Cable abbreviation	LiYY11Y-HF
UL AWM Style	20549
Conductor cross section	16x 0.5 mm ² (signal line) 3x 1 mm ² (power line)
AWG signal line	20
Conductor structure signal line	28x 0.15 mm
AWG power supply	17
Conductor structure, voltage supply	56x 0.15 mm
Core diameter including insulation	1.5 mm ±0.1 mm (signal line) 2.1 mm ±0.1 mm (power line)
Thickness, insulation	≥ 0.15 mm (Inner sheath) ≥ 0.76 mm (Outer cable sheath)
External cable diameter	10.5 mm ± 0.2 mm
External sheath, color	Black RAL 9005
Nominal voltage, conductor	300 V

Test voltage, conductor	2000 V
Overall twist	Wires twisted in layers
Outer sheath, material	PUR
Material, inner sheath	PVC
Material conductor insulation	PVC
Conductor material	Bare Cu litz wires
Smallest bending radius, fixed installation	105 mm
Smallest bending radius, movable installation	105 mm
Number of bending cycles	1500000
Bending radius	105 mm
Traversing path	2 m
Traversing rate	2 m/s
Ambient temperature (operation)	-40 °C ... 90 °C (cable, fixed installation)
	-5 °C ... 80 °C (cable, flexible installation)
Special properties	Silicone-free
Flame resistance	DIN EN 50265
Resistance to oil	As per VDE 0472 Part 803
Other resistance	Highly resistant to acids, alkaline solutions and solvents

Accessories

Item	Designation	Description
Marking		
0804963	SS-ZB 17,5 WH	Contact marker Zack strip, unprinted: 5-section, for snapping into equipment and components with special marker carrier, can be labeled with M-PEN, CMS system or label BMKT 17.5 x 8, lettering field: 17.5 x 8 mm, color: white

Protection and sealing elements

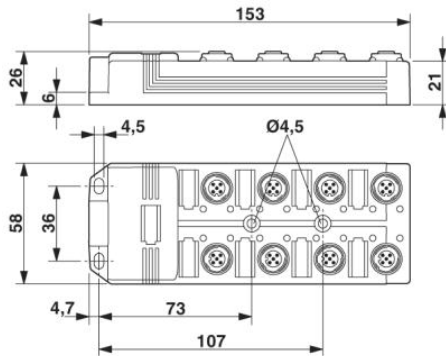
1555538	PROT-M12 FB	M12 high-grade steel screw plug, for unoccupied M12 sockets of the sensor/actuator cables, boxes and flush-type connectors for the food industry
---------	-------------	--

Tools

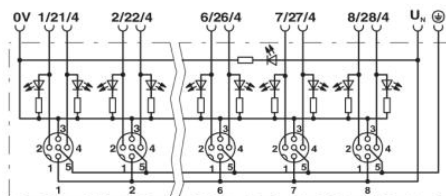
1212513	SAC BIT M12-W14	SAC nut, for assembling M12 connectors with hexagonal high-grade steel knurl, with 4 mm hexagonal drive
1208429	TSD 04 SAC	Torque screwdriver, with preset torque of 0.4 Nm and 4 mm hexagonal drive for M12 connectors

Diagrams/Drawings

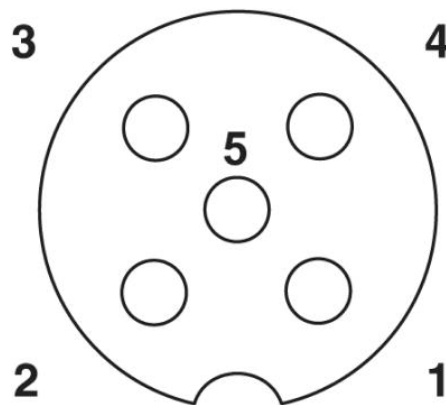
Dimensioned drawing



Circuit diagram



Schematic diagram



M12 slot, socket, 5-pos.

Address

PHOENIX CONTACT Inc., USA
586 Fulling Mill Road
Middletown, PA 17057, USA
Phone (800) 888-7388
Fax (717) 944-1625
<http://www.phoenixcon.com>



© 2011 Phoenix Contact
Technical modifications reserved;