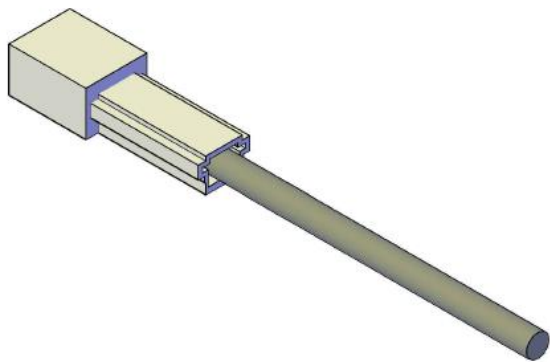
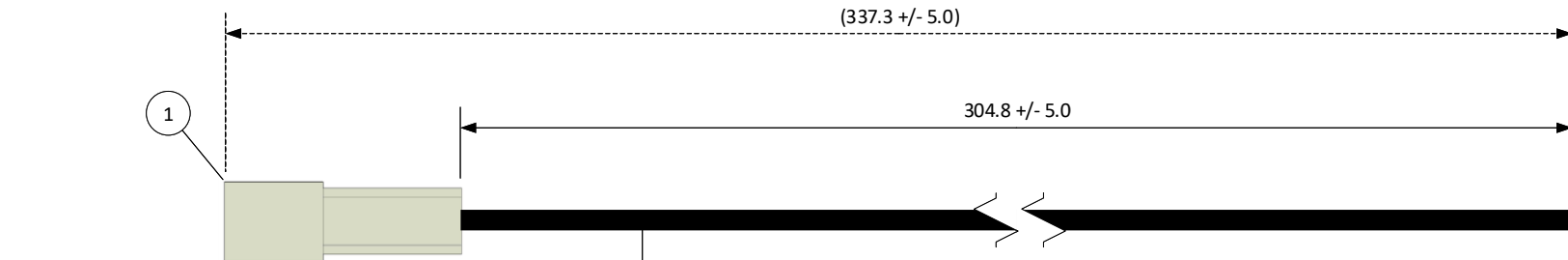


THIS DRAWING CONTAINS INFORMATION THAT IS PROPRIETARY TO J.S.T. AND SHALL NOT BE USED OR SHOWN WITHOUT WRITTEN PERMISSION.

4		3		2		1	
ITEM	CONNECTOR PART NO.	DESCRIPTION	IPI CHECK	EOR CHECK	Applicable Tooling		
1	RSFR-1VF	RSF CONNECTOR WHITE HOUSING, W-W			APPLICATOR		
2	SIM-51T-250N	TAB-IN TERMINAL – BRASS, TIN-PLATED					
3	UL1015, 16 AWG	BLACK					



SCALE	CUSTOMER NAME	CUSTOMER PART NO.
1:1		
DIMENSIONS	DESCRIPTION	
All dimensions are in MM with a tolerance of +/- 3.0 unless otherwise specified.	12" INSIDE LENGTH – 1 POSITION, LIF, POS LOCK, .250, W-W INSULATED RECT W/BLUNT LEADS, WHITE HSG MATES W/W-W PLUG 01 RSFP16K305S	
DRAWN BY	ASSEMBLY PART NO.	
STEVEN PILKINGTON	A01RSFR16K305S	
CHECKED BY	DRAWING NO. & REVISION	REVISED
JUSTIN BAKER	GAM-117	3/11/2016

REV.	DESCRIPTION	DATE	BY

4

3

2

1

D

D

C

C

B

B

A

A