

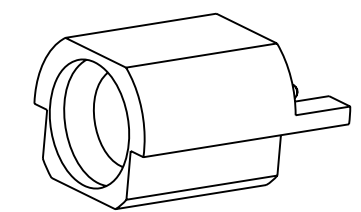
NOTES:

1. MATERIALS AND FINISHES:
 BODY - BRASS, GOLD PLATING
 CONTACT - BeCu, GOLD PLATING
 INSULATOR - PTFE, NATURAL
2. ELECTRICAL:
 A. IMPEDANCE: 50 OHM
 B. FREQUENCY RANGE: DC - 40 GHz
 C. VSWR (RETURN LOSS): 1.15:1 MAX (23 dB MIN) @ DC-10 GHz
 1.25:1 MAX (19 dB MIN) @ 10-26.5 GHz
 1.35:1 MAX (17 dB MIN) @ 26.5-40 GHz
 CONNECTOR ONLY, PERFORMANCE WILL VARY
 BASED ON BOARD LAYOUT
 D. DIELECTRIC WITHSTANDING VOLTAGE: 500 VRMS, MIN.
 E. INSULATOR RESISTANCE: 5000 MEGAOHMS MIN
 F. CONTACT RESISTANCE:
 CENTER CONTACT: 6 MILLIOHM, MAX

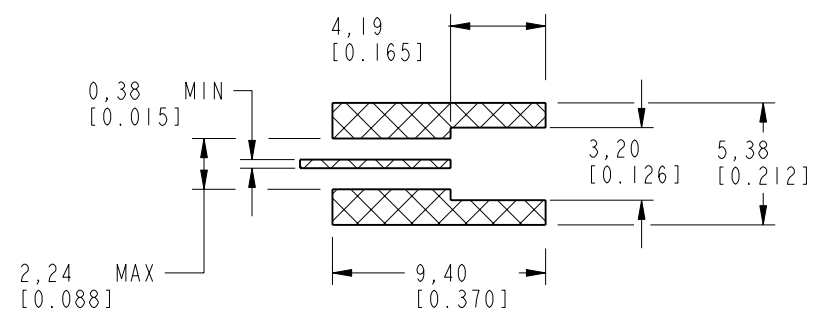
3. MECHANICAL:
 A. ENGAGEMENT FORCE: 2.5 LBS (11.12 N)MAX.
 B. DISENGAGEMENT FORCE: 1.5 LBS (6.67 N) MIN.
 C. CONTACT RETENTION: 1.5 LBS (6.67 N) MIN AXIAL FORCE.
 D. DURABILITY: 100 CYCLES MIN.
 E. TEMPERATURE RANGE: -65°C TO +165°C
5. PACKAGING:
 A. QUANTITY: SINGLE PACK
 B. MARKING: BAG TO BE MARKED
 "AMPHENOL RF, 925-169J-51P, AND DATE CODE"

THIRD ANGLE PROJ.

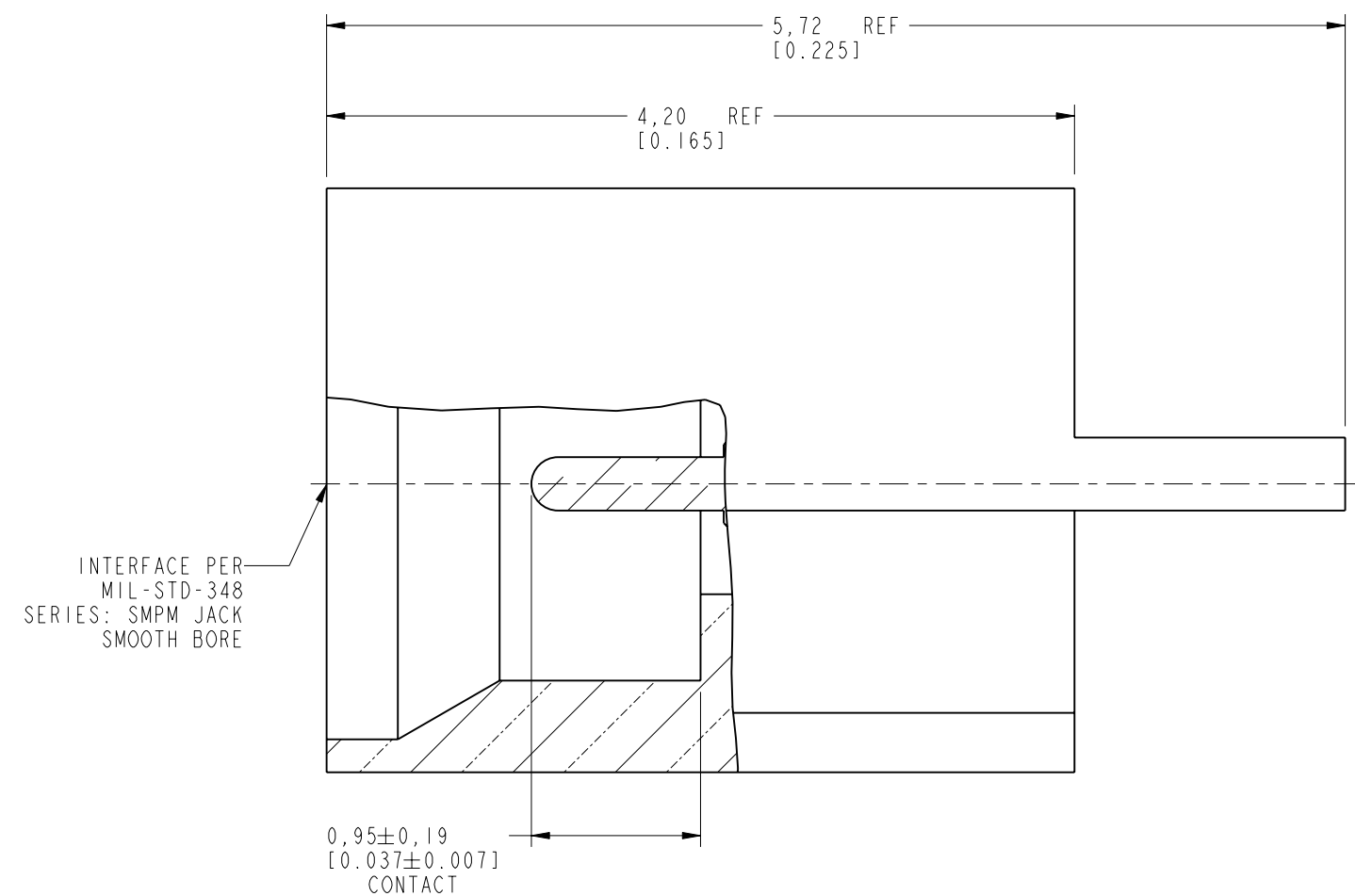
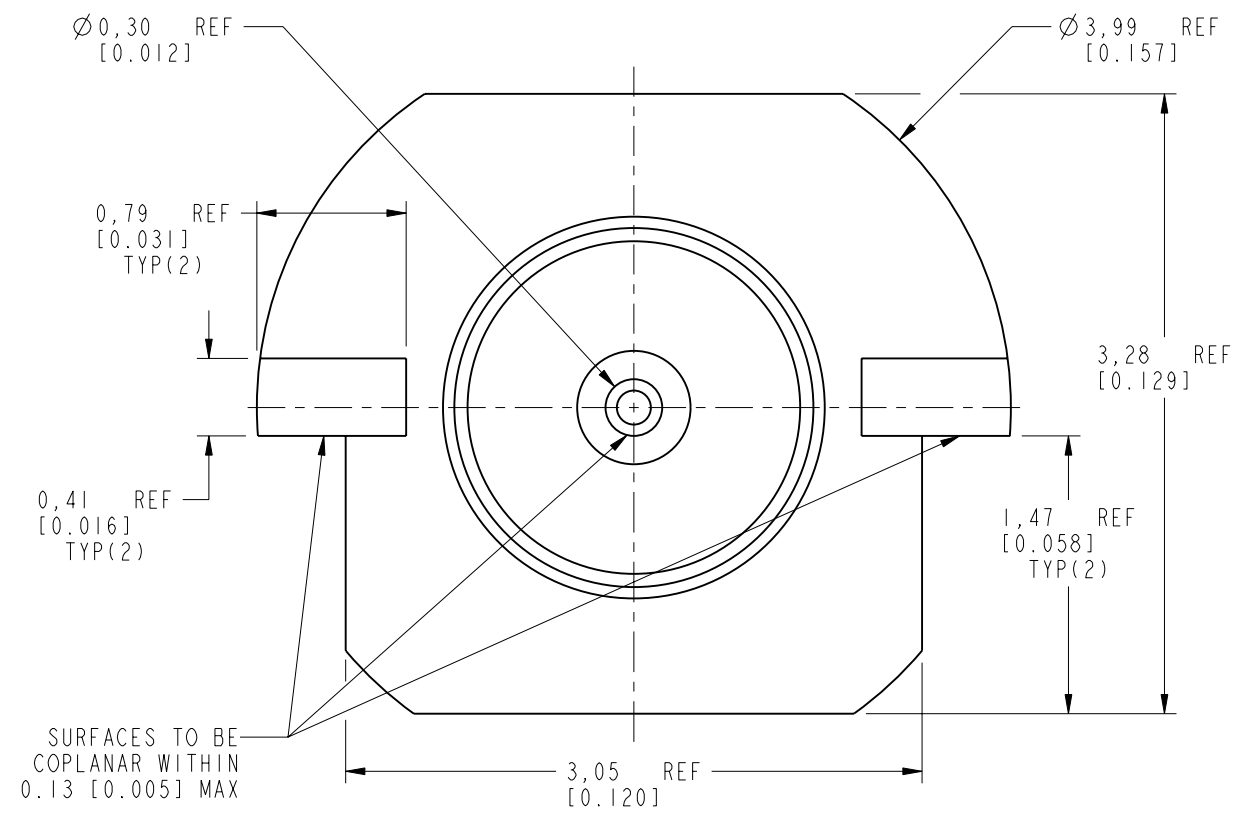
REV		DESCRIPTION	DATE	ECN	APPR
A		RELEASE TO MFG.	12-Jun-17	04003	BMG
B		OPTIMIZE COMPONENTS STRUCTURE FOR GOOD COAXIALITY	27-Mar-18	07445	MR



SCALE 6.000



RECOMMENDED PCB LAYOUT



CUSTOMER OUTLINE DRAWING

ALL OTHER SHEETS ARE FOR INTERNAL USE ONLY

UNLESS OTHERWISE SPECIFIED, DIMENSIONS ARE IN METRIC AND TOLERANCES ARE: <0.5mm ±0.05mm 0.5 - 6mm ±0.1mm 6 - 30mm ±0.2mm 30 - 120mm ±0.3mm ANGLES ±1°	MATERIAL	DRAWN	DATE	TITLE	Amphenol RF www.amphenolrf.com DRAWING NO. 925-169J-51P ITEM NO. 925-169J-51P PART NO. 925-169J-51P
	SEE NOTES	S. DUAN	27-Mar-18	SMPM STR JACK SMOOTH BORE, EDGE MOUNT	
	REFERENCE	B. GREENBAUM	12-Jun-17		
	EAR# 7607	APPROVED	S. HSIEH	29-Mar-18	
REF:	CONFIGURATION LEVEL: In Work	CAD FILE		DWG SIZE	REV
FINISH				B	B