

NOTES:

1. MATERIALS AND FINISHES:  
 BODY - BRASS, NICKEL PLATING  
 CONTACT - BeCu, GOLD PLATING  
 INSULATOR & INSULATOR DISC - PTFE  
 FERRULE - COPPER, NICKEL PLATING  
 BULLET CONTACT - BRASS, GOLD PLATING

2. ELECTRICAL:  
 A. IMPEDANCE: 50 OHM  
 B. FREQUENCY RANGE: DC - 6 GHz  
 C. VSWR(RETURN LOSS): 1.18 (21.664 dB), MAX.  
 D. DIELECTRIC WITHSTANDING VOLTAGE: 1000 VRMS, MIN.

3. MECHANICAL:  
 A. DURABILITY: 500 CYCLES MIN.  
 B. TEMPERATURE RANGE: -65° C TO +165° C

4. PACKAGING:  
 A. QUANTITY: SINGLE PACK  
 B. MARKING: BAG TO BE MARKED  
 "AMPHENOL RF, 31-6828, DATE CODE"

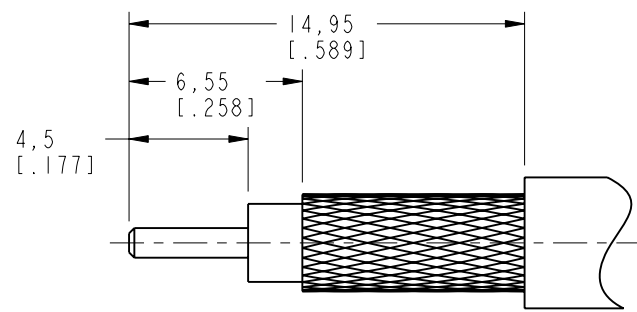
5. RECOMMENDED CABLE ASSEMBLY INSTRUCTIONS:  
 A. TRIM CABLE AS SHOWN.  
 B. SLIDE FERRULE AND INSULATOR DISC ONTO CABLE.  
 C. SOLDER CABLE CENTER CONDUCTOR TO BULLET CONTACT.  
 D. INSERT CABLE WITH FOIL ENTERING CONNECTOR AND BRAID OVER KNURL.  
 E. CRIMP FERRULE OVER BRAID WITH 0.255" HEX DIE.

6 SHOWS CABLE ENTRY DIMENSIONS.

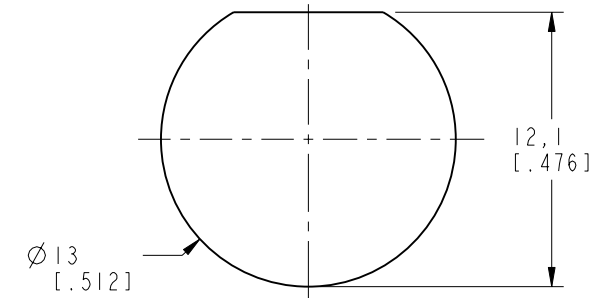
THIRD ANGLE PROJ.

REVISIONS

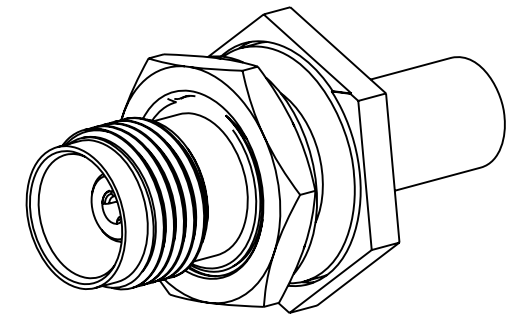
REV	DESCRIPTION	DATE	ECO	APPR
A	RELEASE TO MFG.	21-May-18	08141	KCE



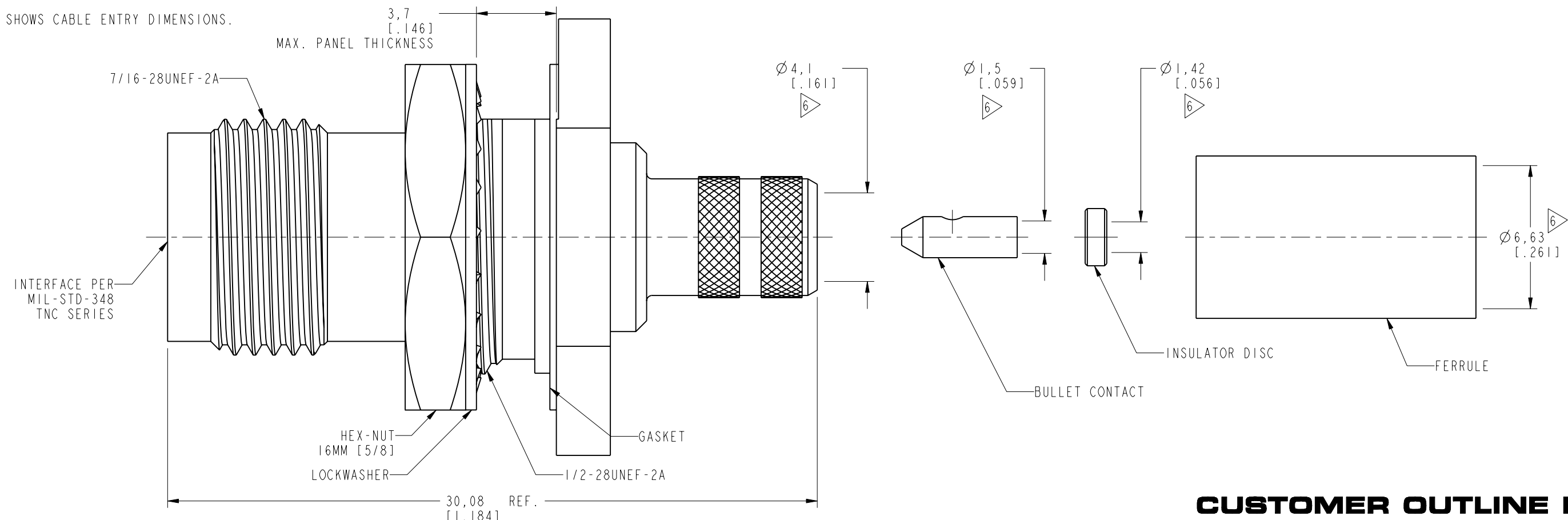
RECOMMENDED CABLE STRIPPING DIM'S



RECOMMENDED MOUNTING HOLE



SCALE 2.000



**CUSTOMER OUTLINE DRAWING**  
 ALL OTHER SHEETS ARE FOR INTERNAL USE ONLY

<p>UNLESS OTHERWISE SPECIFIED, DIMENSIONS ARE IN METRIC AND TOLERANCES ARE:                  &lt;0.5mm ±0.05mm    0.5 - 6mm ±0.1mm    6 - 30mm ±0.2mm    30 - 120mm ±0.3mm    ANGLES ±1°</p> <p>NOTICE - These drawings, specifications, or other data (1) are, and remain the property of Amphenol corp. (2) must be returned upon request; and (3) are confidential and not to be disclosed to any person other than those to whom they are given by Amphenol Corp. the furnishing of these drawings, specifications, or other data by Amphenol Corp., or to any other person for any purpose is not to be regarded by implication or otherwise in any manner licensing, granting rights to permitting such holder or any other person to manufacture, use or sell any product, process or design, patented or otherwise, that may in any way be related to or disclosed by said drawings, specifications, or other data.</p>	<p>MATERIAL SEE NOTE</p>	<p>DRAWN STAR</p>	<p>DATE 29-May-18</p>	<p>TITLE TNC STR BHD JACK FOR LMR-240-UF, LMR-240 CABLE</p>	<p>Amphenol RF www.amphenolrf.com</p>
	<p>REFERENCE EAR # 8049</p>	<p>ENGINEER SUNDE</p>	<p>DATE 29-May-18</p>		
<p>CONFIGURATION LEVEL: In Work</p>	<p>APPROVED S. HSIEH</p>	<p>DATE 29-May-18</p>	<p>SCALE: 5.0:1.0    SHEET 2 OF 2</p>	<p>ITEM NO. 31-6828</p>	<p>PART NO. 31-6828</p>
<p>FINISH</p>	<p>CAD FILE</p>	<p>DWG SIZE B</p>	<p>REV A</p>		