




∅172×150×51 mm



San Ace 172L 9L type   

Sidecut type

General Specifications

- Material Frame: Aluminum, Impeller: Plastic (Flammability: UL 94V-1)
- Expected life See the table below. (L10 life: 90% survival rate for continuous operation in free air at 60°C, rated voltage)
Expected life at 40°C is for reference only.
- Motor protection function Locked rotor burnout protection, Reverse polarity protection
For details, please refer to p. 599.
- Dielectric strength 50/60 Hz, 500 VAC, for 1 minute (between lead wire conductors and frame)
- Insulation resistance 10 MΩ or more with a 500 VDC megger (between lead wire conductors and frame)
- Sound pressure level (SPL) At 1 m away from the air inlet
- Storage temperature -30 to +70°C (Non-condensing)
- Lead wire ⊕Red ⊖Black or Blue Sensor Yellow
- Mass 760 g

Specifications

The models listed below **have pulse sensors**.

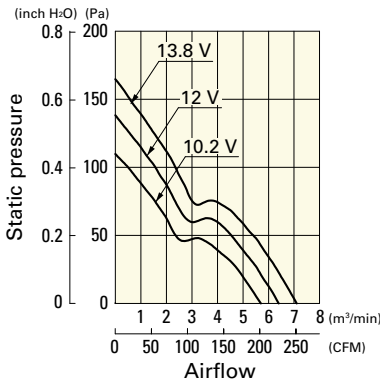
Model no.	Rated voltage [V]	Operating voltage range [V]	Rated current [A]	Rated input [W]	Rated speed [min ⁻¹]	Max. airflow [m ³ /min] [CFM]	Max. static pressure [Pa] [inchH ₂ O]	SPL [dB (A)]	Operating temperature [°C]	Expected life [h]
109L5712H501	12	10.2 to 13.8	1.2	14.4	3050	6.4 226	137.2 0.551	52	-20 to +70	100000/60°C (135000/40°C)
109L5712M501			0.48	5.76	2000	4.2 148	67.6 0.271	41		
109L5724H501	24	20.4 to 27.6	0.58	13.92	3050	6.4 226	137.2 0.551	52		
109L5724M501			0.2	4.8	2000	4.2 148	67.6 0.271	41		
109L5748H501	48	40.8 to 55.2	0.28	13.44	3050	6.4 226	137.2 0.551	52		
109L5748M501			0.11	5.28	2000	4.2 148	67.6 0.271	41		

Note: Sensor and control options are available for selection. Refer to the table on p. 621.

Airflow - Static Pressure Characteristics

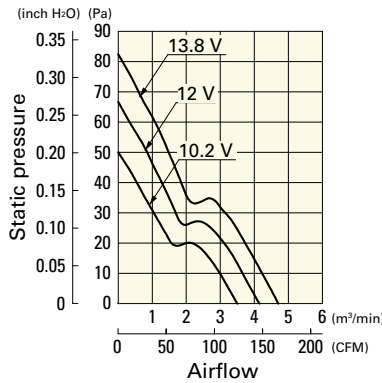
109L5712H501 With pulse sensor

Operating voltage range



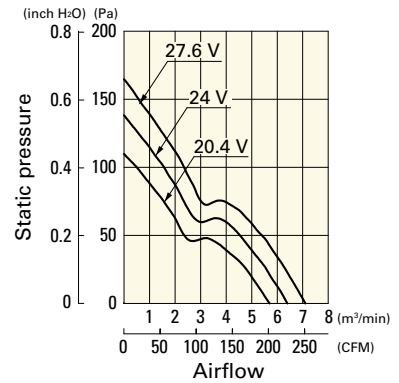
109L5712M501 With pulse sensor

Operating voltage range



109L5724H501 With pulse sensor

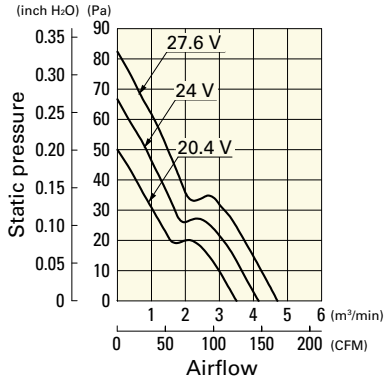
Operating voltage range



Airflow - Static Pressure Characteristics

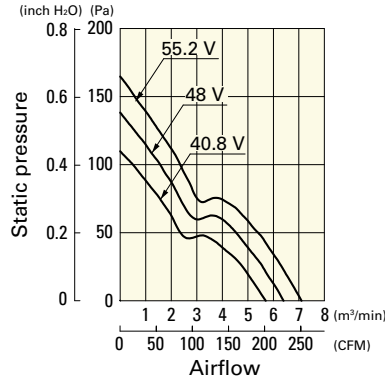
109L5724M501 With pulse sensor

Operating voltage range



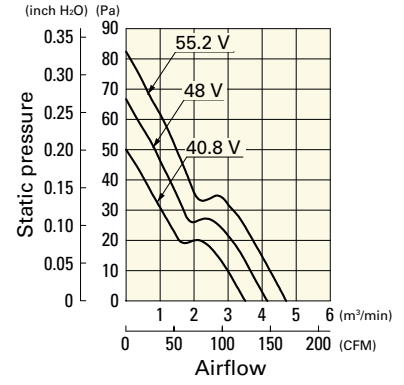
109L5748H501 With pulse sensor

Operating voltage range

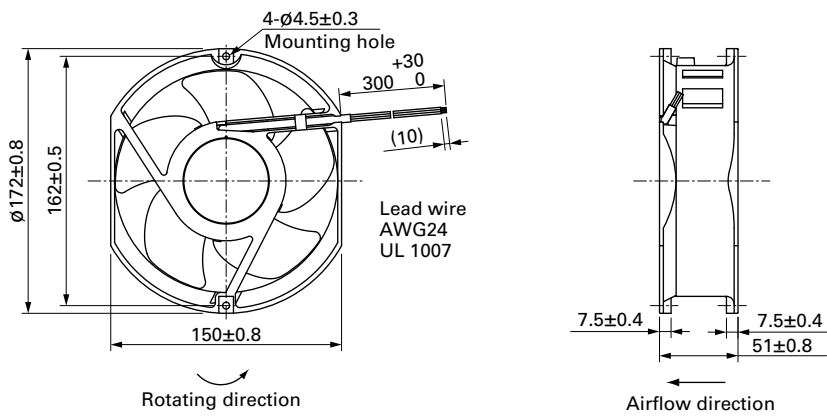


109L5748M501 With pulse sensor

Operating voltage range

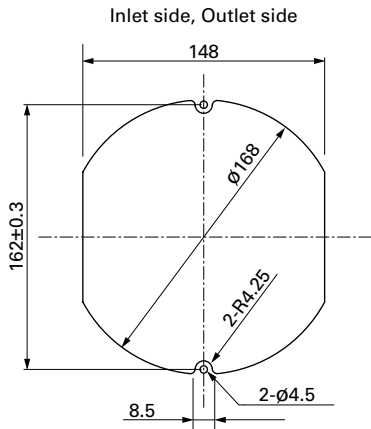


Dimensions (unit: mm)



DC
Long Life Fan $\phi 172$ mm

Reference Dimensions of Mounting Holes and Vent Opening (unit: mm)



Options

Finger guards

page: p. 586

Model no.: 109-319E, 109-319H, 109-320