

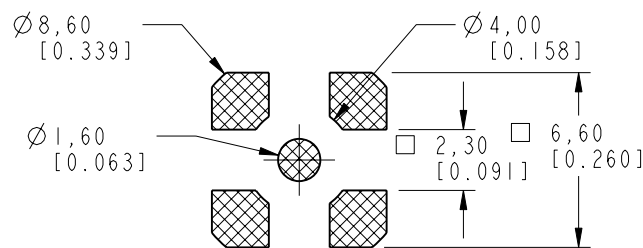
NOTES:

1. MATERIAL AND FINISH:  
 BODY - BRASS, GOLD PLATING  
 CONTACT - BeCu, GOLD PLATING  
 INSULATOR - PTFE, NATURAL
2. ELECTRICAL:  
 A. IMPEDANCE: 50 OHM  
 B. FREQUENCY RANGE: DC-6 GHz  
 C. VSWR (RETURN LOSS): 1.20 MAX.  
 D. DIELECTRIC WITHSTANDING VOLTAGE: 1000 VRMS. (FOR ONE MINUTE)  
 E. CONTACT RESISTANCE: 5 mOHM MAX. (CENTER CONTACT)  
   1 mOHM MAX. (OUTER CONTACT)  
 F. VOLTAGE RATING: 500 VOLTS  
 G. INSULATION RESISTANCE: 10000 MOHM (AT 500V FOR ONE MINUTE)
3. MECHANICAL:  
 A. DURABILITY: 500 CYCLES MIN.  
 B. TEMPERATURE RANGE: -40°C TO +85°C  
 C. OPERATING HUMIDITY: 10% TO 80% REL HUMIDITY

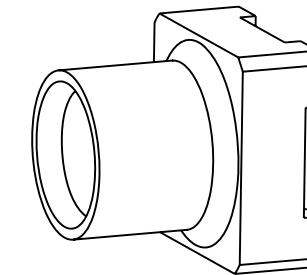
THIRD ANGLE PROJ.

REVISIONS

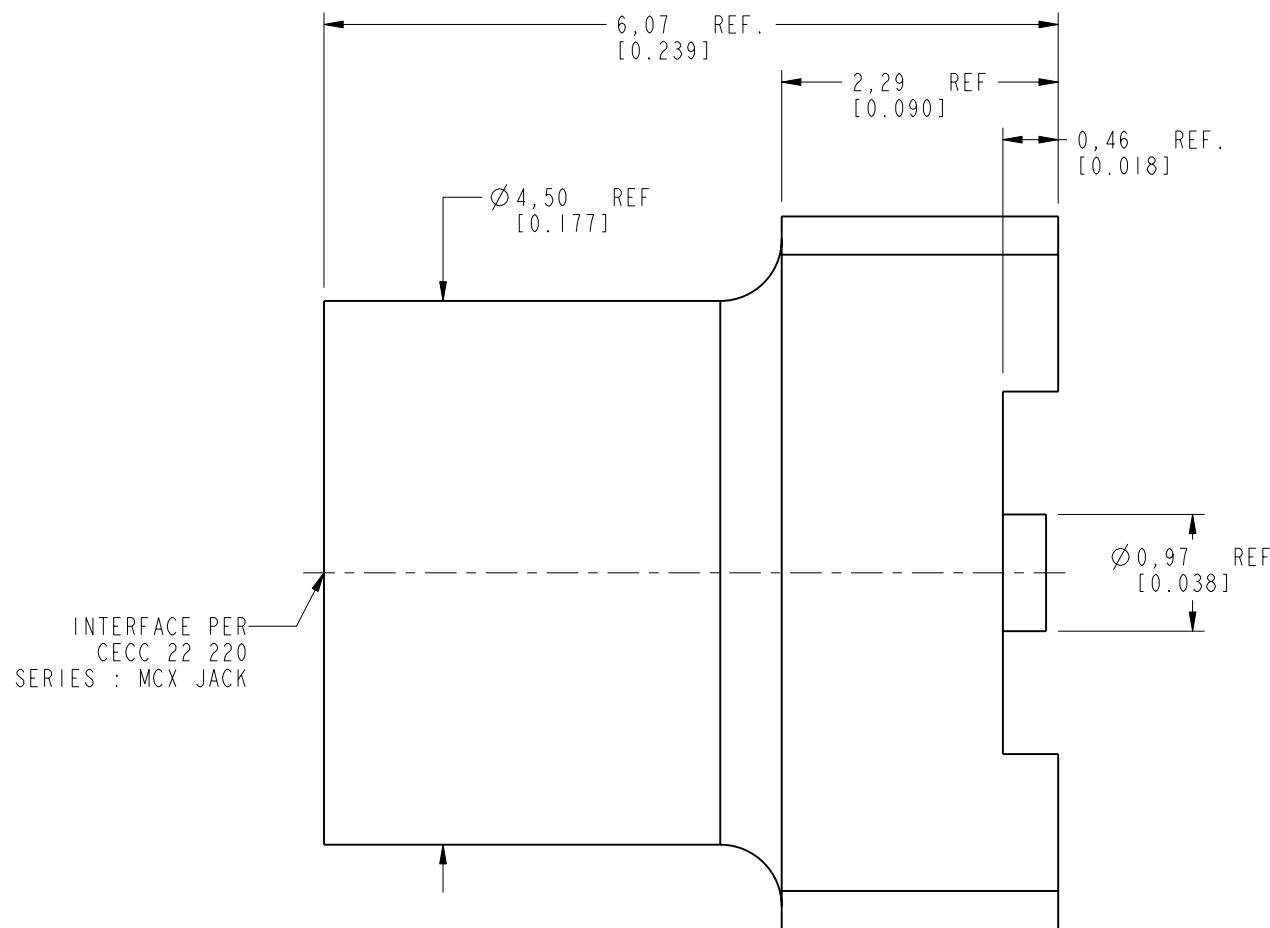
REV	DESCRIPTION	DATE	ECN	APPR
A	RELEASE TO MFG.	01-Jul-98	--	PB/TA
F	2.29 WAS 1.52, 0.46 WAS 0.76, REMOVED STAKE \RD-DM15042301J1	29-Apr-15	50419	HH
G	FREQUENCY 6 GHz WAS 2 GHz & IMPERIAL UNITS ADDED	31-Oct-17	05665	AAP



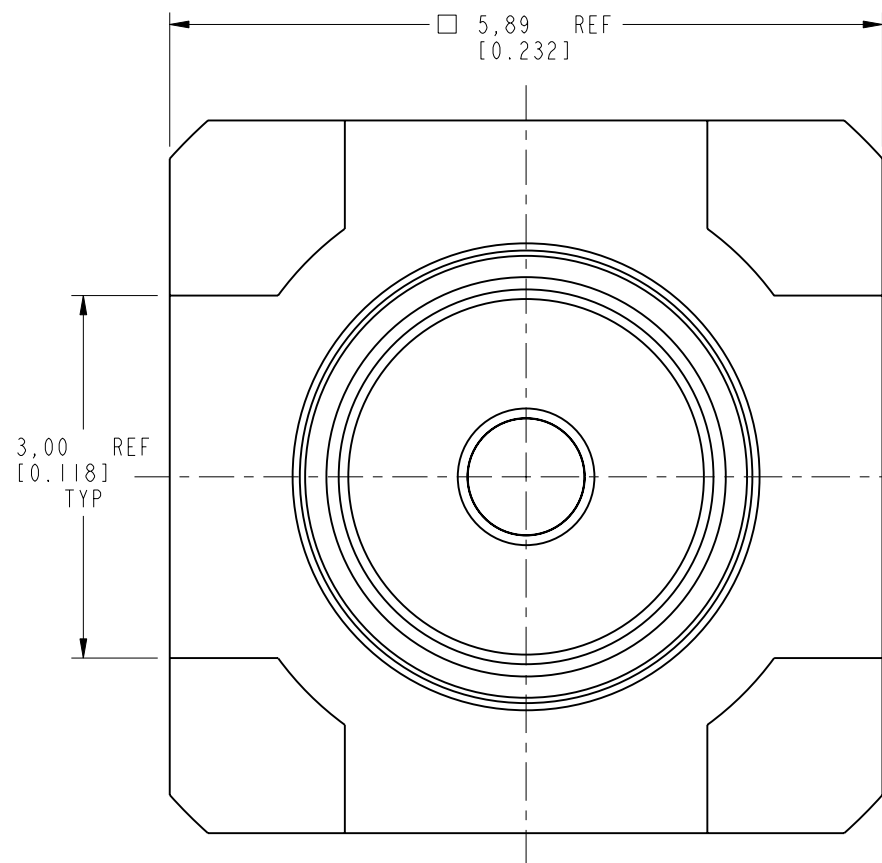
**RECOMMENDED  
PCB LAYOUT**



SCALE 5.000



INTERFACE PER  
CECC 22 220  
SERIES : MCX JACK



**CUSTOMER OUTLINE DRAWING**

ALL OTHER SHEETS ARE FOR INTERNAL USE ONLY

UNLESS OTHERWISE SPECIFIED, DIMENSIONS ARE IN METRIC AND TOLERANCES ARE:  
 <0.5mm ±0.05mm    0.5 - 6mm ±0.1mm    6 - 30mm ±0.2mm    30 - 120mm ±0.3mm    ANGLES ±1°

NOTICE - These drawings, specifications, or other data (1) are, and remain the property of Amphenol corp. (2) must be returned upon request; and (3) are confidential and not to be disclosed to any person other than those to whom they are given by Amphenol Corp. the furnishing of these drawings, specifications, or other data by Amphenol Corp., or to any other person to anyone for any purpose is not to be regarded by implication or otherwise in any manner licensing, granting rights to permitting such holder or any other person to manufacture, use or sell any product, process or design, patented or otherwise, that may in any way be related to or disclosed by said drawings, specifications, or other data.

MATERIAL SEE NOTES	DRAWN S. DUAN	DATE 01-Nov-17
REFERENCE EAR# 102-966929 1	ENGINEER P. BRENZEL	DATE 18-Jun-98
REF: 615X-1429-100 GEN# ASSYF3_MCX	APPROVED S. HSIEH	DATE 03-Nov-17
CONFIGURATION LEVEL: In Work	CAD FILE	
FINISH		

TITLE MCX STR JACK SURFACE MOUNT RECEPTACLE	SCALE: 16.0:1.0	SHEET 2 OF 2
DWG SIZE B	REV G	

Amphenol RF	
www.amphenolrf.com	
DRAWING NO. 919-118J-51P	
ITEM NO. 919-118J-51P	
PART NO. 919-118J-51P	