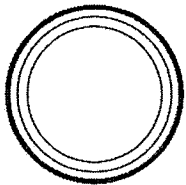
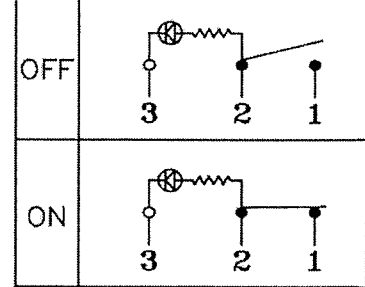
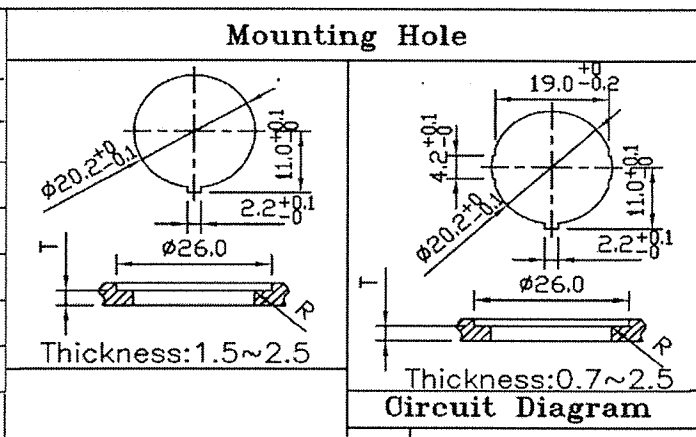
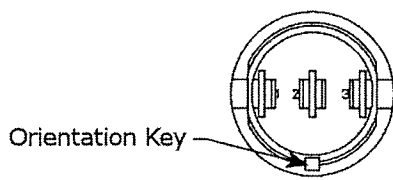
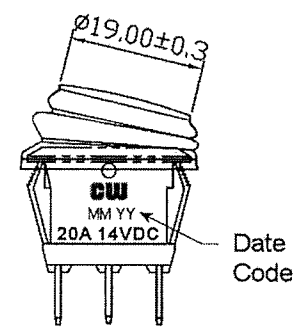
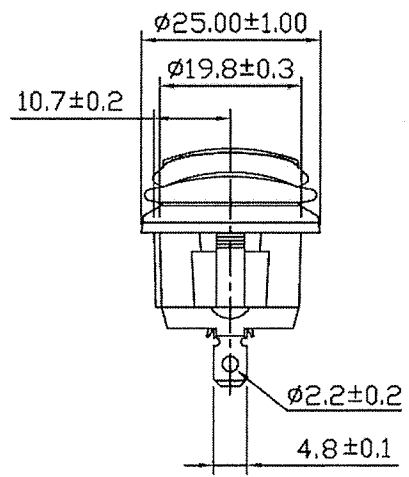
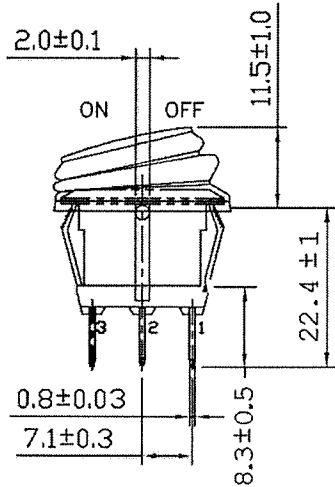


THIS INFORMATION IS CONFIDENTIAL AND PROPRIETARY TO CW INDUSTRIES INCORPORATED AND ITS AFFILIATES. IT MAY NOT BE DISCLOSED TO ANYONE, OTHER THAN CW INDUSTRIES PERSONNEL, WITHOUT WRITTEN AUTHORIZATION FROM CW INDUSTRIES INCORPORATED, SOUTHAMPTON, PENNSYLVANIA USA.

Rating	16A 125VAC, 10A 250VAC	
	20A 14VDC	
Configured For	12VDC 14V	
Contact Resistance	50m ohm Max.	
Insulation Resistance	DC 500V 100M ohm Min.	
Dielectric Strength	AC 1500V 1 minute	
Operation Temp.	- 20°C ~ 85°C	
Switch Function	3P SPST ON-OFF Lamp Dependent	
Lamp Type	LED 12VDC 14V w/resistor	



**MATERIAL:**  
 Frame: Black, Nylon 66 (94V-2)  
 Actuator: Red, PC (94V-2)  
 Waterproof rubber: Black, Silicone  
 Terminals: Silver plated, Copper alloy  
 Waterproof: IP65  
 LED: Red



Tolerances Unless Otherwise Specified +/-0.3.

RoHS Compliant

2 Updated ratings and demensions. 3-5-2013.

**CW INDUSTRIES**  
 Southampton, Pa. 18966  
 Tel 215.355.7080/www.cwind.com

Date Drawn: 12/25/08	Rev. 2	Unit: mm	Checked By: <i>G. Guld</i>
Title: <b>ROCKER SWITCH</b>		CW P/N: <b>GRB112B802BR1</b>	